

SPECIFICATIONS

ELECTRICAL

ELECTRICAL ELEMENT	Conductive plastic
RESISTANCE	5K Ω \pm 20%
POWER RATING	0.08W @ 50°C
ELECTRICAL TRAVEL	220° \pm 5° (110° off center)

MECHANICAL TRAVEL	260° centered
ROTATIONAL TORQUE	0.30 oz/in. max

MECHANICAL

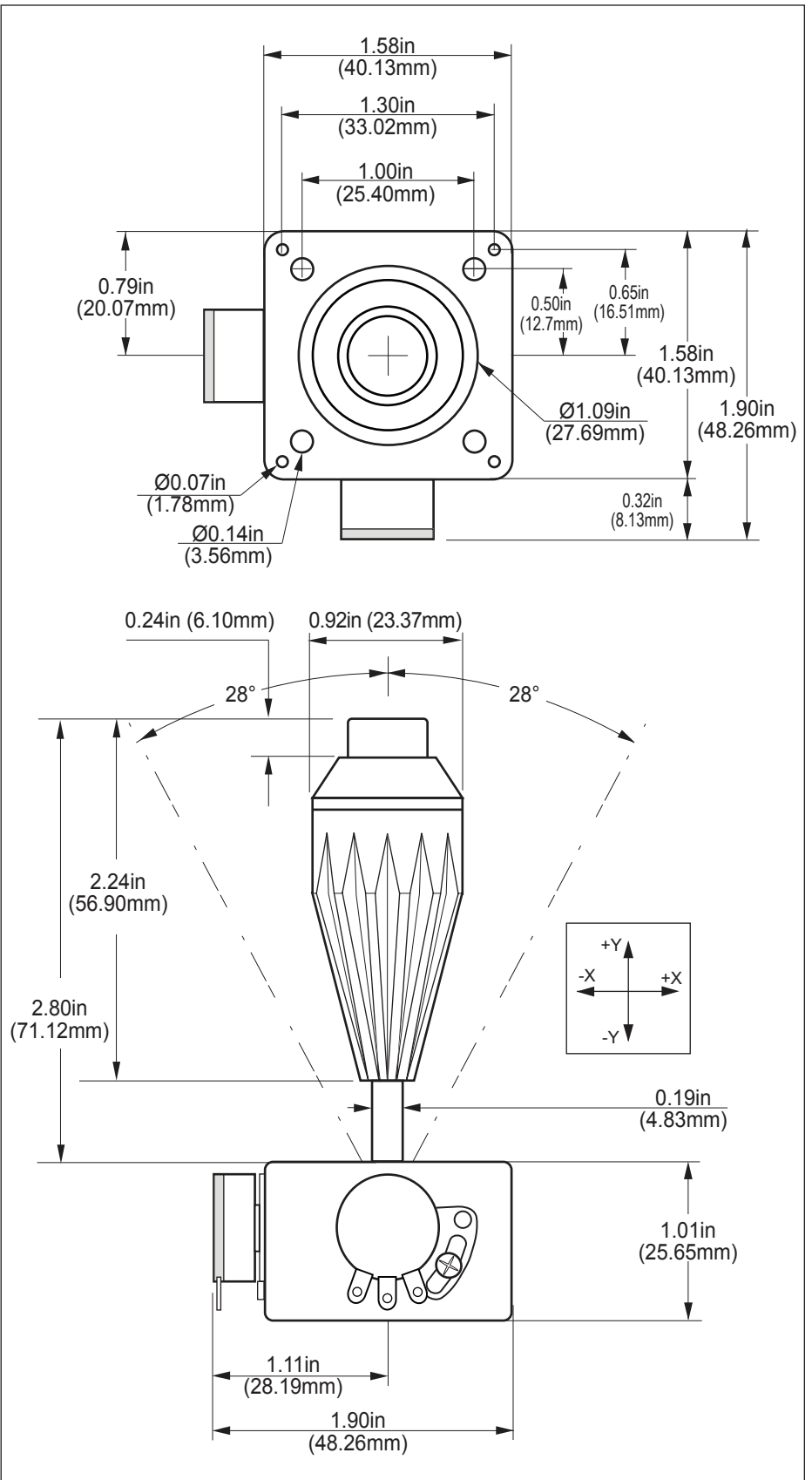
OPERATING TRAVEL	56° (28° from center)
CENTERING	Spring centering
BREAKOUT FORCE	0.029Nm
OPERATING FORCE	0.041Nm
MAXIMUM FORCE	0.062Nm
LIFE EXPECTANCY	2 million

WIRING

RED*	Switch
WHITE*	Switch

(* - wires are interchangeable)

RoHS compliant



CH
Products

P/N

M21C051P

REV
A

DESCRIPTION

Resistive Mini - 2 Axes with Button

PROPRIETARY AND CONFIDENTIAL

THE INFORMATION CONTAINED IN THIS DRAWING IS THE SOLE PROPERTY OF CH PRODUCTS. ANY REPRODUCTION IN PART OR AS WHOLE WITHOUT THE WRITTEN PERMISSION OF CH PRODUCTS IS PROHIBITED.