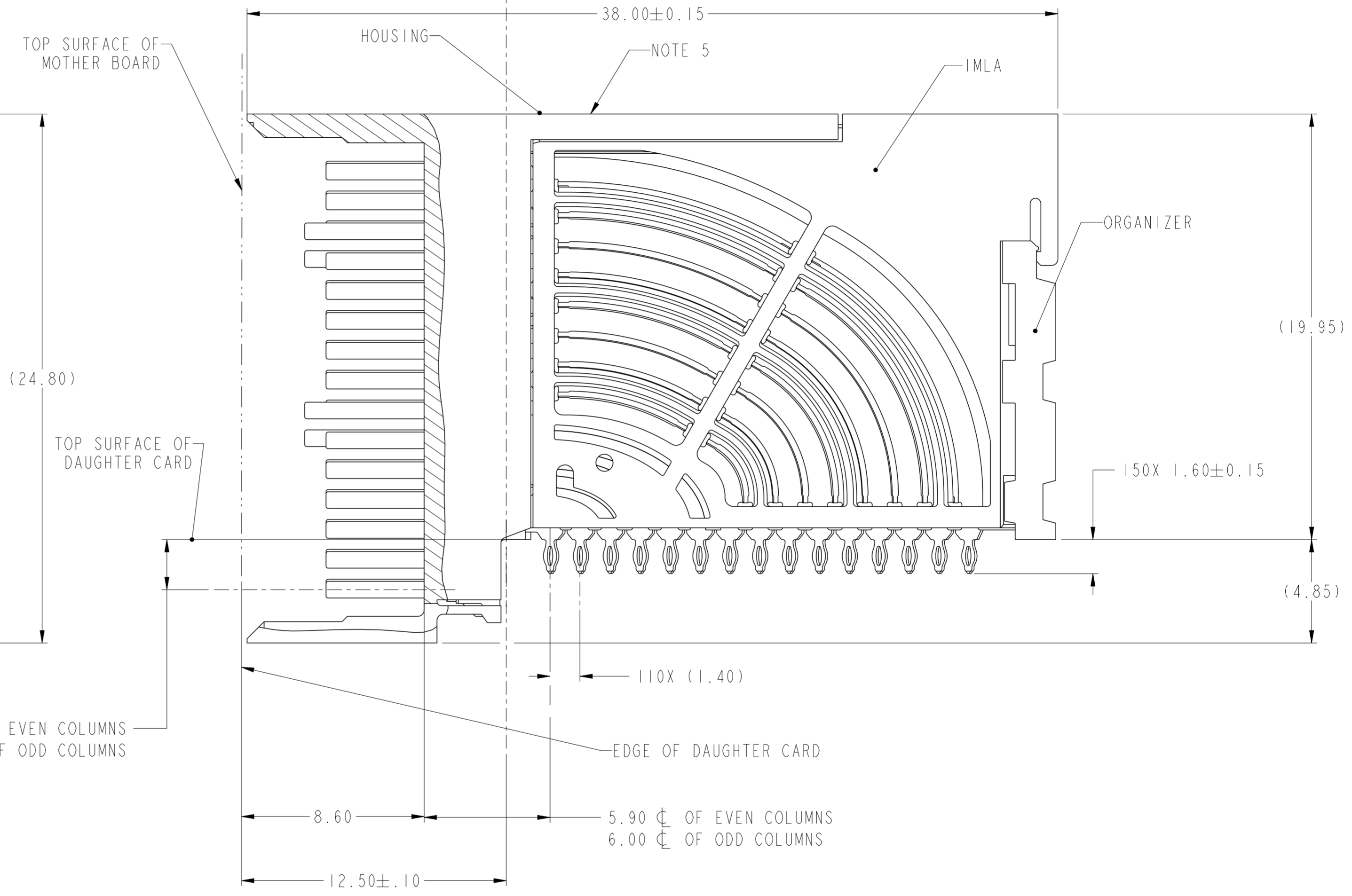
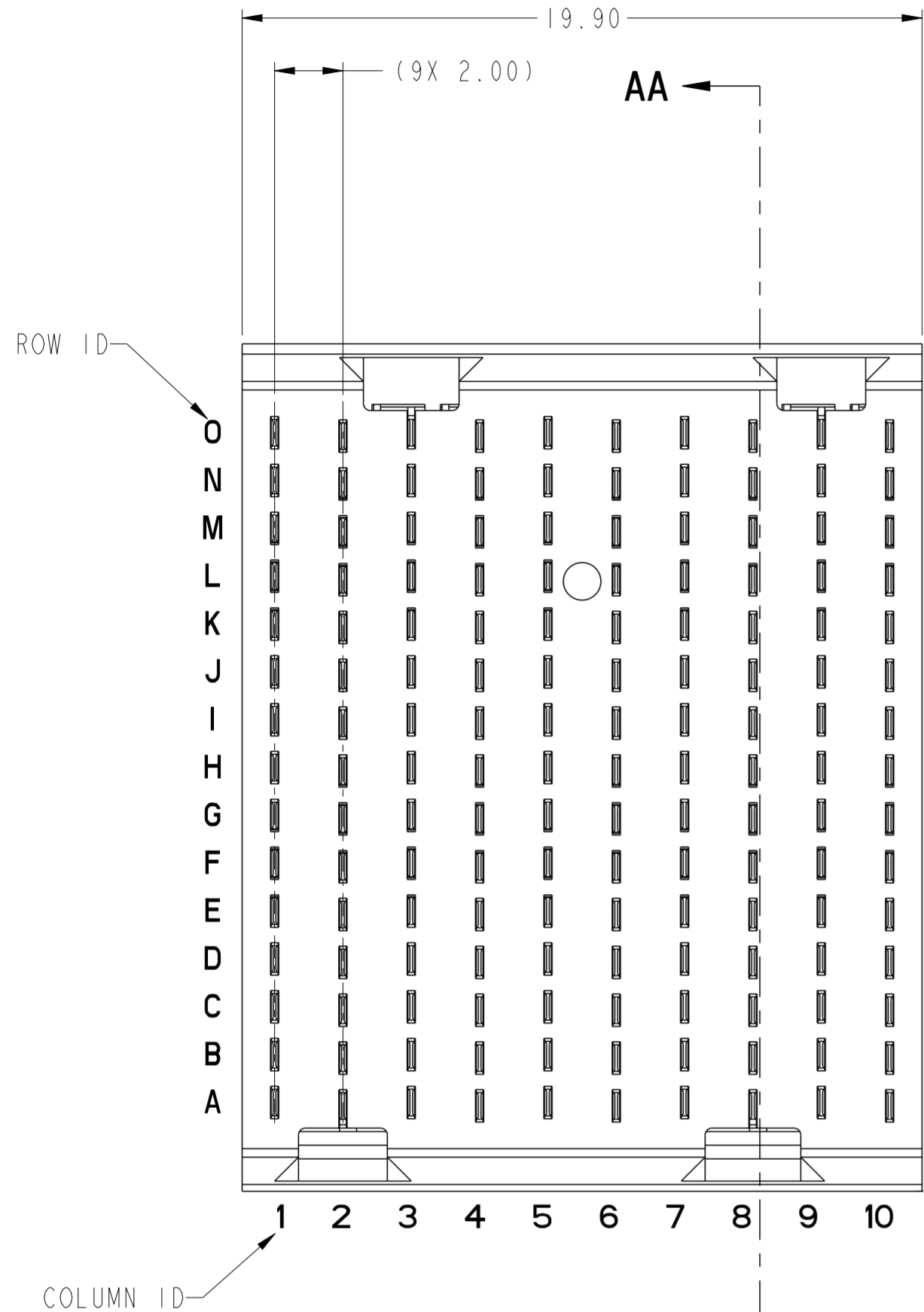


PRODUCT NUMBER  
SEE SHEET 3



2.35  $\phi$  OF EVEN COLUMNS  
2.25  $\phi$  OF ODD COLUMNS

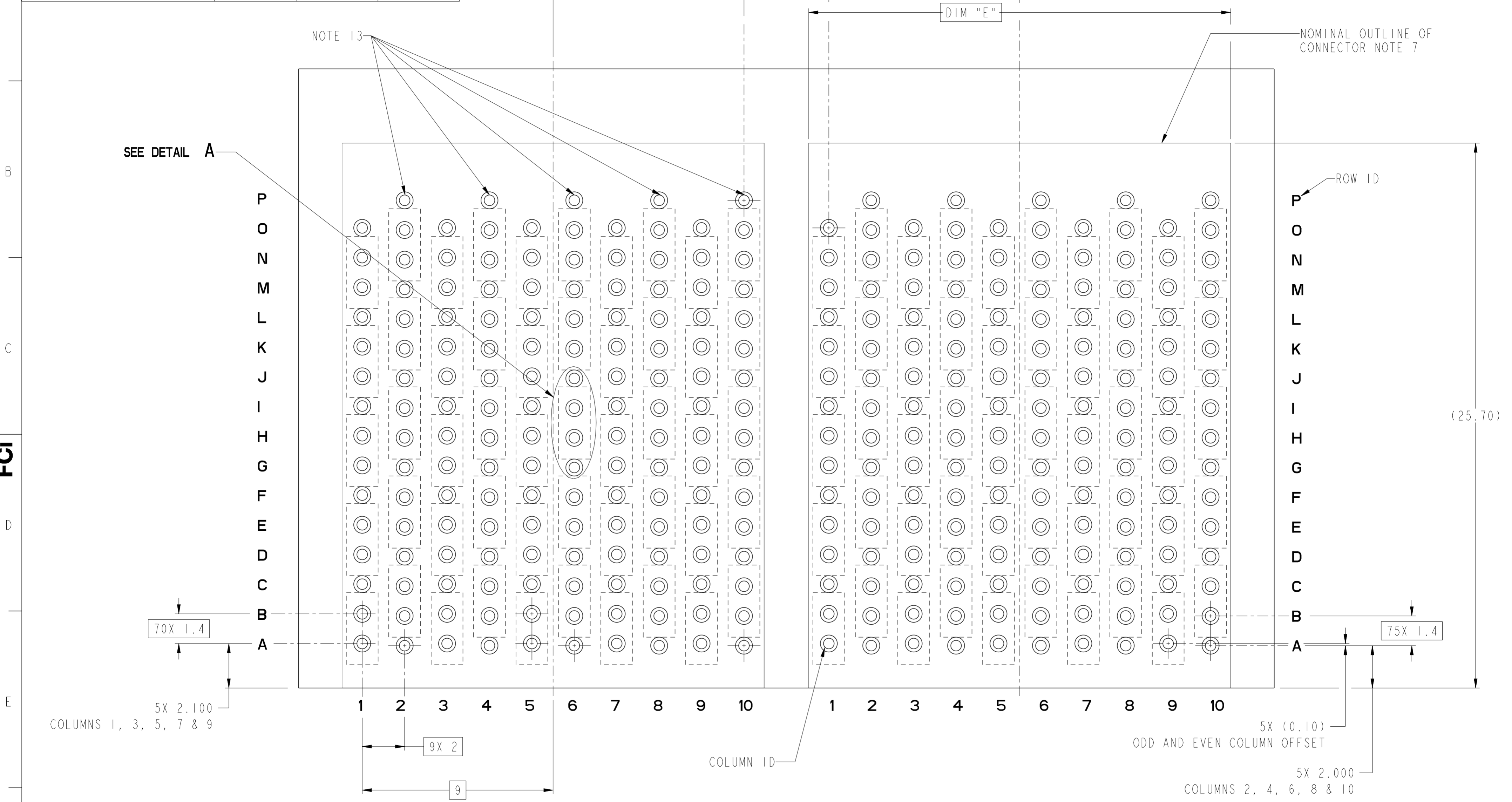
EDGE OF DAUGHTER CARD

5.90  $\phi$  OF EVEN COLUMNS  
6.00  $\phi$  OF ODD COLUMNS

SECTION AA-AA

spec ref	---	dr	N Anandakumar	2013/01/16	projection	MM	size	A2	scale	10:1									
tolerance std	ASME Y14.5M	eng	Art Lin	2016/11/14			ecn no	ELX-DG-25255-1	rel level	Released									
TOLERANCES UNLESS OTHERWISE SPECIFIED		chr	Heaven Cen	2016/11/17															
		appr	Pai-Ming Zheng	2016/11/18															
surface	<table border="1"> <tr> <td>linear</td> <td>0.X</td> <td>±.3</td> </tr> <tr> <td></td> <td>0.XX</td> <td>±.15</td> </tr> <tr> <td></td> <td>0.XXX</td> <td>±.050</td> </tr> <tr> <td>angular</td> <td>0°</td> <td>±2°</td> </tr> </table>	linear	0.X	±.3		0.XX	±.15		0.XXX	±.050	angular	0°	±2°			<b>Product Family</b> AirMax VS2 R.A. HEADER 5 Pair, 150 pos, 2mm, 10 Col		dwg no 10123881	rev D
linear	0.X	±.3																	
	0.XX	±.15																	
	0.XXX	±.050																	
angular	0°	±2°																	
		www.fci.com		cat. no.	Product - Customer Drw		sheet 1 of 3												

DESCRIPTION	DIM "D"	DIM "E"	DIM "F"
2-20MM MODULES PLACED END TO END	2.0	19.90 2X	20.00
1-20MM MODULE & 1-22MM MODULE PLACE END TO END	3.0	19.90 1X & 21.90 1X	21.00



RECOMMENDED PCB LAYOUT  
FOR DIFFERENTIAL APPLICATIONS  
COMPONENT SIDE  
(TWO ADJACENT FOOTPRINTS SHOWN)  
NOTES 8 & 11  
SCALE 8:1

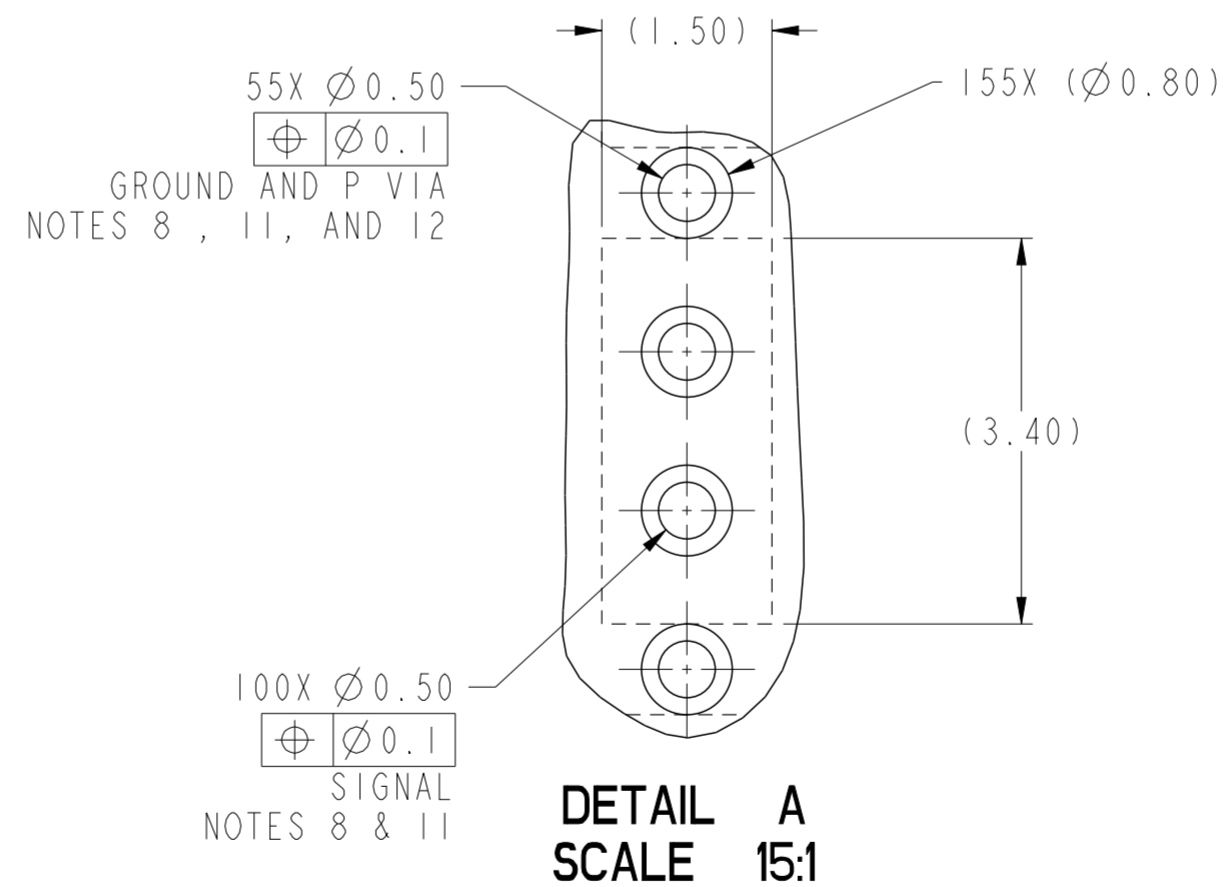
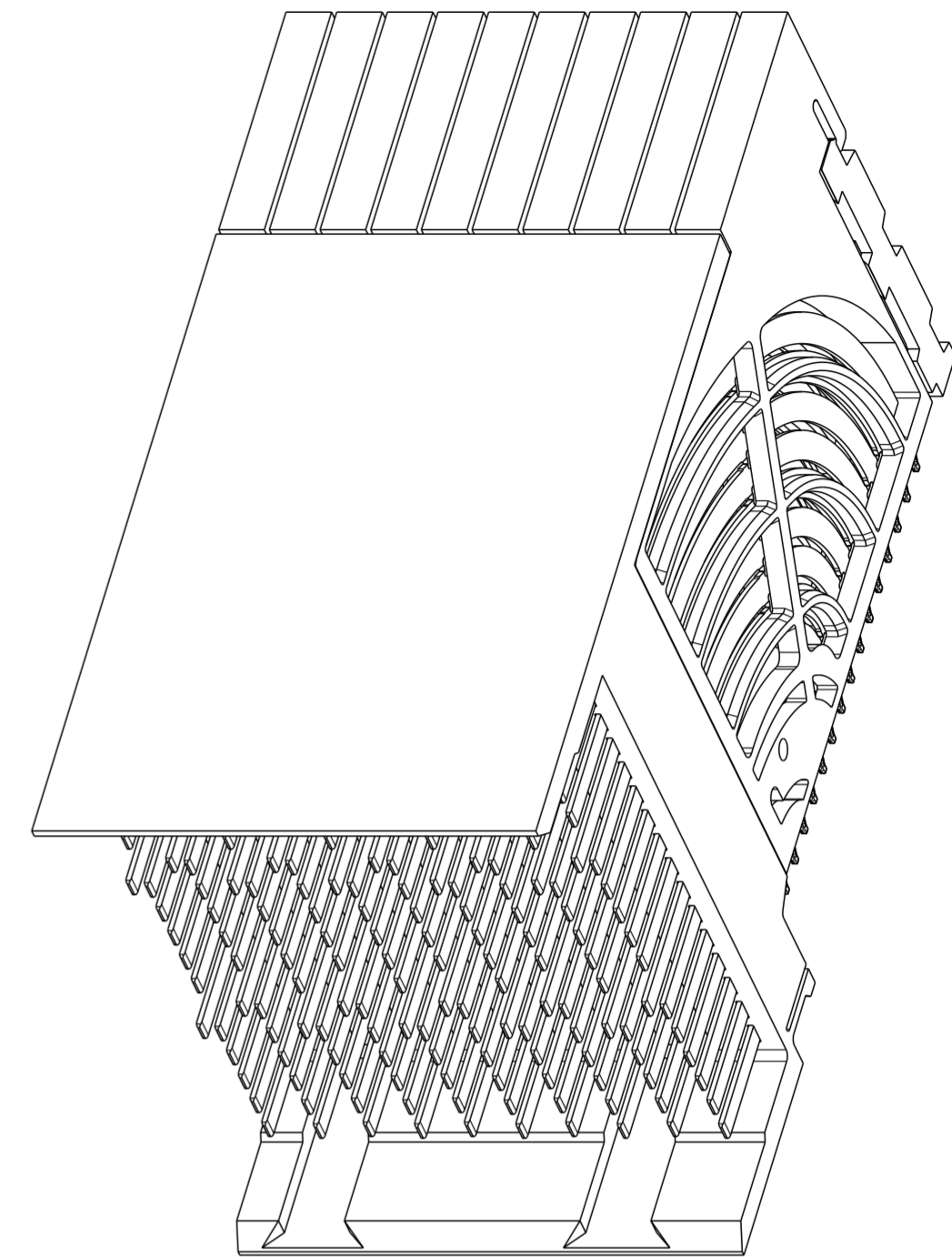
spec ref	---	dr	N Anandakumar	2013/01/16	projection	MM	size	A2	scale	8:1
tolerance std	ASME Y14.5M	eng	Art Lin	2016/11/14			ecn no	ELX-DG-2525-1	rel level	Released
TOLERANCES UNLESS OTHERWISE SPECIFIED		chr	Heaven Cen	2016/11/17						
		appr	Pai-Ming Zheng	2016/11/18						
surface	linear	0.X	±.3		product family		title AirMax VS2 R.A. HEADER 5 Pair, 150 pos, 2mm, 10 Col	drg no 10123881	rev D	
		0.XX	±.15		www.fci.com					cat. no.
		0.XXX	±.050		Product - Customer Drw					
	angular	0°	±2°	PDS: Rev :D		STATUS: Released		Printed: Nov 18, 2016		

Amphenol  
FCI

© 2016 APCI

PRODUCT NUMBER	PRESS-FIT TAIL PLATING TYPE	REMARK
10123881-101	TIN/LEAD ALLOY OVER NICKEL	1-SIDE PLATING (CUSTOMER SPECIAL)
10123881-101LF	TIN OVER NICKEL (LEAD FREE)	
10123881-102	TIN/LEAD ALLOY OVER NICKEL	2-SIDE PLATING
10123881-102LF	TIN OVER NICKEL (LEAD FREE)	

- 1 - CONNECTOR MATERIALS:  
HOUSING: HIGH TEMP THERMOPLASTIC, NATURAL, UL94-V0  
IMLA PLASTIC: HIGH TEMP THERMOPLASTIC, BLACK, UL94-V0  
CONTACT: COPPER ALLOY  
ORGANIZER: HIGH TEMP THERMOPLASTIC, NATURAL, UL94-V0
- 2 - CONTACT PLATING:  
SEPARABLE INTERFACE:  
PERFORMANCE-BASED PLATING, QUALIFIED TO MEET THE REQUIREMENTS OF FCI PRODUCT SPECIFICATION GS-12-0956 INCLUDING TELCORDIA GR-1217-CORE (NOVEMBER 1995) CENTRAL OFFICE TEST SEQUENCE
- PRESS-FIT TAILS: SEE TABLE
- 3 - PRODUCT SPECIFICATION: GS-12-0956
- 4 - APPLICATION SPECIFICATION: GS-20-0305
- 5 - PRODUCT MARKING, (PROTOTYPE, PART NUMBER & LOT CODE), ON THIS SURFACE.
- 6 - POSITIONS "F" AND "L" OF ODD NUMBERED COLUMNS AND POSITIONS "G" AND "M" OF EVEN NUMBERED COLUMNS CORRESPOND TO EARLY MATE HEADER PINS.
- 7 - CONNECTOR OUTLINE MAY BE SCREEN PRINTED ONTO CUSTOMER PCB TO BE USED AS A GUIDE FOR CONNECTOR PLACEMENT.
- 8 - REFER TO CUSTOMER DRAWING 10104444 FOR INFORMATION ON PCB HOLE DIAMETERS AND PLATING OPTIONS
- 9 - LEAD FREE PRODUCT MEETS THE EUROPEAN UNION DIRECTIVES & OTHER COUNTRY REGULATIONS AS DESCRIBED IN GS-22-008
- 10 - PACKAGING MEETS GS-14-920 LEAD FREE LABELING SPECIFICATION.
- 11 - GROUND CONTACTS (C, F, I, L, & O IN ODD COLUMNS AND A, D, G, J, & M IN EVEN COLUMNS) REQUIRE (Ø0.50) FINISHED HOLES. SIGNAL LOCATIONS REQUIRE (Ø0.50) FINISHED HOLES
- 12 - THESE OUTER VIAS (P) ARE OPTIONAL. WHILE NO CONNECTOR EONS ARE PRESSED INTO THESE HOLES WE RECCOMMEND (Ø0.500) FINISHED HOLES AT THESE LOCATIONS TO PROVIDE GROUND SYMMETRY THROUGH THE PCB.
- 13 - A  $\triangle$  SYMBOL WILL BE NEXT TO ANY DIMENSION, VIEW, OR NOTE, WHICH HAS BEEN MODIFIED WITH THE CURRENT DRAWING REVISION.



10123881-101 OR -101LF  
10123881-102 OR -102LF

SCALE 4:1

spec ref	---	dr	N Anandakumar	2013/01/16	projection	MM	size	A2	scale	10:1										
tolerance std	ASME Y14.5M	eng	Art Lin	2016/11/14			ecn no	ELX-DG-2525-1	<b>Released</b>	rev <b>D</b>										
TOLERANCES UNLESS OTHERWISE SPECIFIED		chr	Heaven Cen	2016/11/17			product family	-			rel level									
surface	<table border="1"> <tr> <td>linear</td> <td>0.X</td> <td>±.3</td> </tr> <tr> <td></td> <td>0.XX</td> <td>±.15</td> </tr> <tr> <td></td> <td>0.XXX</td> <td>±.050</td> </tr> <tr> <td>angular</td> <td>0°</td> <td>±2°</td> </tr> </table>	linear	0.X	±.3				0.XX			±.15		0.XXX	±.050	angular	0°	±2°	appr	Pai-Ming Zheng	2016/11/18
linear	0.X	±.3																		
	0.XX	±.15																		
	0.XXX	±.050																		
angular	0°	±2°																		
		www.fci.com		cat. no.	Product - Customer Drw		sheet 3 of 3													