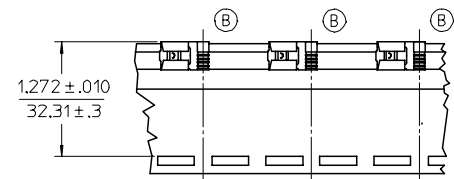
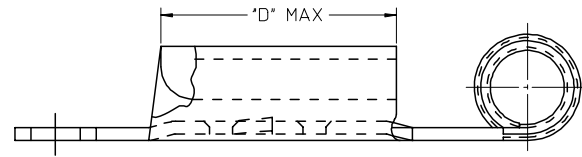
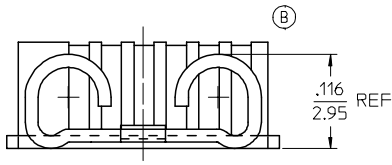
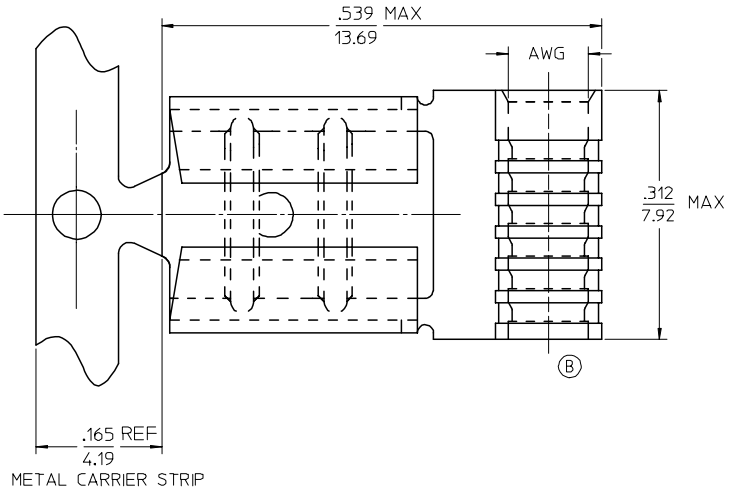


|   |                          |                             |                             |                                |                      |                         |       |             |           |     |   |   |   |
|---|--------------------------|-----------------------------|-----------------------------|--------------------------------|----------------------|-------------------------|-------|-------------|-----------|-----|---|---|---|
|   | 13                       | 12                          | 11                          | 10                             | 9                    | 8                       | 7     | 6           | 5         | 4   | 3 | 2 | 1 |
| J | MATERIAL NUMBER ON STRIP | ENGINEERING NUMBER ON STRIP | MATERIAL NUMBER LOOSE PIECE | ENGINEERING NUMBER LOOSE PIECE | TAPE MATERIAL NUMBER | TAPE ENGINEERING NUMBER | AWG   | TAB SIZE    | D MAX     |     |   |   |   |
|   | 190080008                | AAZ-1147                    | 190080001                   | AA-1147                        | 190080004            | AA-1147T                | 22-18 | .187 X .020 | .257/6.53 |     |   |   |   |
|   | 190080009                | AAZ-1147-032                | 190080002                   | AA-1147-032                    | 190080003            | AA-1147-032T            | 22-18 | .187 X .032 | .257/6.53 |     |   |   |   |
|   | 190080013                | AAZ-1158                    | 190080006                   | AA-1158                        | 190080007            | AA-1158T                | 22-18 | .250 X .032 | .312/7.92 | (B) |   |   |   |
|   | 190080028                | BBZ-1148                    | 190080019                   | BB-1148                        | 190080022            | BB-1148T                | 16-14 | .187 X .020 | .257/6.53 |     |   |   |   |
|   | 190080029                | BBZ-1148-032                | 190080020                   | BB-1148-032                    | 190080021            | BB-1148-032T            | 16-14 | .187 X .032 | .257/6.53 |     |   |   |   |
| I | 190080031                | BBZ-1159                    | 190080024                   | BB-1159                        | 190080027            | BB-1159T                | 16-14 | .250 X .032 | .312/7.92 | (B) |   |   |   |



PARTS ON TAPE



SALES DRAWING

NOTES:

1. MATERIAL: BRASS .016/0.04 THICK. PLATING ELECTRO-TIN.
2. TAB SIZE SEE CHART.
3. WIRE AWG SEE CHART.
- (B) 4. PART IS ROHS COMPLIANT.

| REVISED BARREL & CHART<br>FC NO: ETC2007-0001<br>DRAWN BY: DRW:NEHLE<br>CHKD: JMACNEIL<br>APPR: RDEROSS<br>2006/07/13<br>2006/07/17<br>2006/07/17 | QUALITY SYMBOLS                                                                                                                 | GENERAL TOLERANCES (UNLESS SPECIFIED)<br><table border="1"> <tr> <th></th> <th>mm</th> <th>INCH</th> </tr> <tr> <td>4 PLACES</td> <td>± .005</td> <td>± .0005</td> </tr> <tr> <td>3 PLACES</td> <td>± .005</td> <td>± .0005</td> </tr> <tr> <td>2 PLACES</td> <td>± .13</td> <td>± .01</td> </tr> <tr> <td>1 PLACE</td> <td>± .25</td> <td>± .01</td> </tr> </table> |                                                                                                                               | mm                 | INCH                         | 4 PLACES            | ± .005 | ± .0005 | 3 PLACES | ± .005 | ± .0005 | 2 PLACES | ± .13 | ± .01 | 1 PLACE | ± .25 | ± .01 | DIMENSION STYLE<br>IN/MM | SCALE<br>NONE | DESIGN UNITS<br>INCH | THIRD ANGLE PROJECTION |
|---------------------------------------------------------------------------------------------------------------------------------------------------|---------------------------------------------------------------------------------------------------------------------------------|----------------------------------------------------------------------------------------------------------------------------------------------------------------------------------------------------------------------------------------------------------------------------------------------------------------------------------------------------------------------|-------------------------------------------------------------------------------------------------------------------------------|--------------------|------------------------------|---------------------|--------|---------|----------|--------|---------|----------|-------|-------|---------|-------|-------|--------------------------|---------------|----------------------|------------------------|
|                                                                                                                                                   |                                                                                                                                 |                                                                                                                                                                                                                                                                                                                                                                      | mm                                                                                                                            | INCH               |                              |                     |        |         |          |        |         |          |       |       |         |       |       |                          |               |                      |                        |
|                                                                                                                                                   | 4 PLACES                                                                                                                        |                                                                                                                                                                                                                                                                                                                                                                      | ± .005                                                                                                                        | ± .0005            |                              |                     |        |         |          |        |         |          |       |       |         |       |       |                          |               |                      |                        |
|                                                                                                                                                   | 3 PLACES                                                                                                                        |                                                                                                                                                                                                                                                                                                                                                                      | ± .005                                                                                                                        | ± .0005            |                              |                     |        |         |          |        |         |          |       |       |         |       |       |                          |               |                      |                        |
| 2 PLACES                                                                                                                                          | ± .13                                                                                                                           | ± .01                                                                                                                                                                                                                                                                                                                                                                |                                                                                                                               |                    |                              |                     |        |         |          |        |         |          |       |       |         |       |       |                          |               |                      |                        |
| 1 PLACE                                                                                                                                           | ± .25                                                                                                                           | ± .01                                                                                                                                                                                                                                                                                                                                                                |                                                                                                                               |                    |                              |                     |        |         |          |        |         |          |       |       |         |       |       |                          |               |                      |                        |
| DESCRIPTION                                                                                                                                       | DRAWN BY: BENDERLE<br>CHECKED BY: R DEROSS<br>APPROVED BY: R DEROSS<br>DATE: 2005/01/25<br>DATE: 2005/01/25<br>DATE: 2005/01/25 | MATERIAL NO.<br>SEE CHART                                                                                                                                                                                                                                                                                                                                            | TITLE<br>FLAG QD<br>22-18 AWG & 16-14 AWG<br>.187X.020&.032,.250X.032                                                         | MOLEX INCORPORATED | DOCUMENT NO.<br>SD-19008-013 | SHEET NO.<br>1 OF 1 |        |         |          |        |         |          |       |       |         |       |       |                          |               |                      |                        |
|                                                                                                                                                   | DRAFT WHERE APPLICABLE<br>MUST REMAIN<br>WITHIN DIMENSIONS                                                                      | SIZE<br>C                                                                                                                                                                                                                                                                                                                                                            | THIS DRAWING CONTAINS INFORMATION THAT IS PROPRIETARY TO MOLEX INCORPORATED AND SHOULD NOT BE USED WITHOUT WRITTEN PERMISSION |                    |                              |                     |        |         |          |        |         |          |       |       |         |       |       |                          |               |                      |                        |