

D

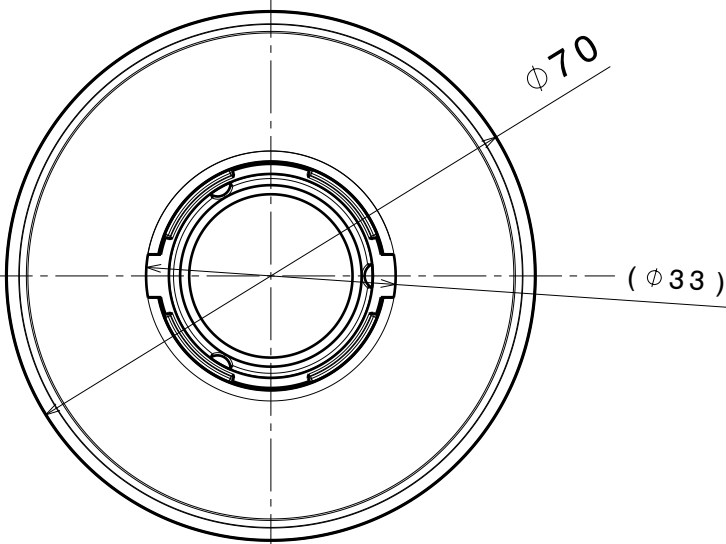
C

B

A

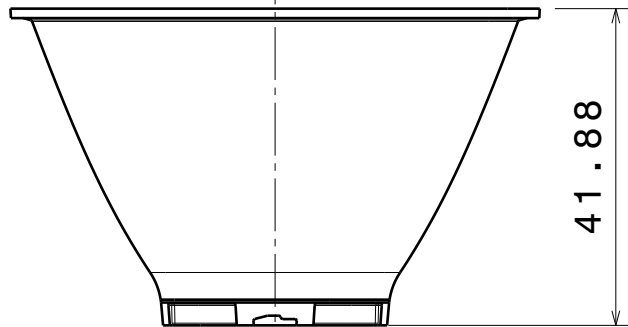
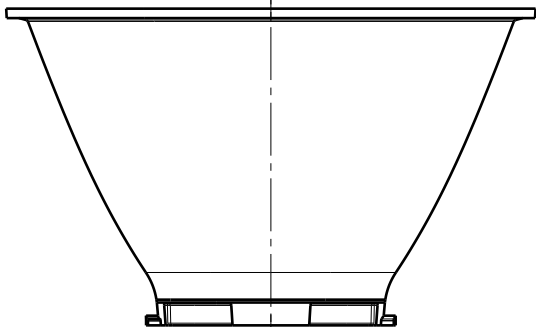
4

4



3

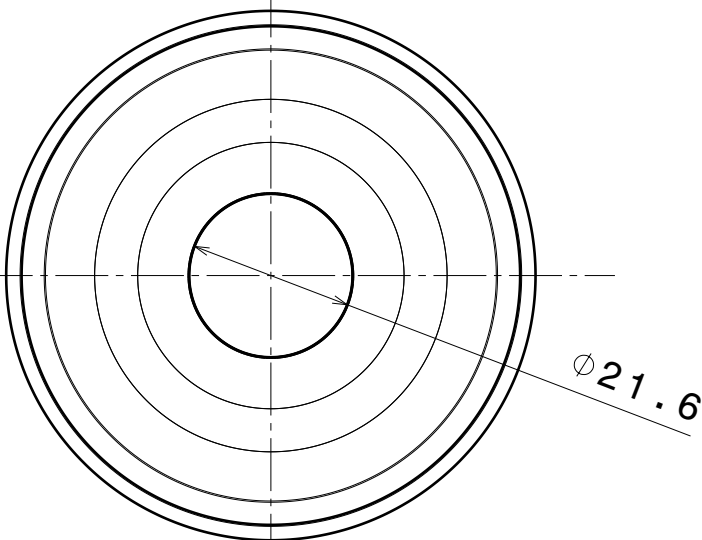
3



41.88

2

2



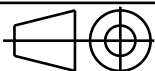
| INDEX | PART NO | DESCRIPTION | MATERIAL | COLOUR |
|-------|------------|-----------------------|----------|--------|
| 1 | BARBARA-G2 | BARBARA-G2 MECH MODEL | PC | metal |

Tolerances if not otherwise shown
 According to DIN ISO 2768-1
 Linear measures:
 Up to 30mm class M, otherwise class C.
 According to DIN ISO 2768-2
 Form and position: class L

LEDiL

Ledil Oy
 Salorankatu 10
 FIN 24240 SALO
 Finland

THIRD ANGLE PROJECTION:



DRAWING TITLE

Datasheet Reflector

This drawing is the property
 of LEDiL Oy. It may not be
 reproduced, copied or
 communicated without a written
 agreement with LEDiL Oy.

SIZE PART NUMBER

A4

BARBARA-G2

SCALE 1:1 WEIGHT

SHEET 1/1

D

A

1

1