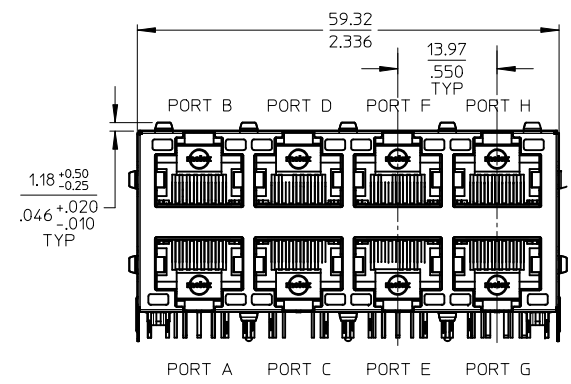
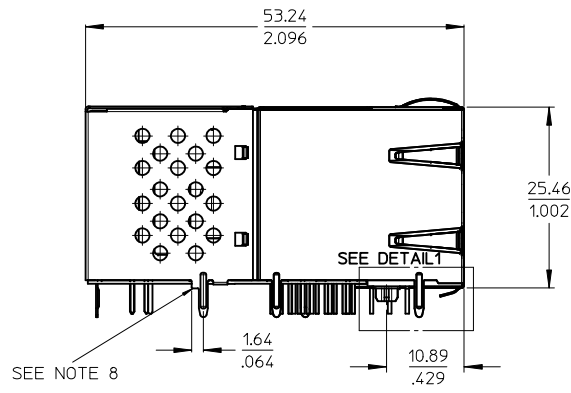
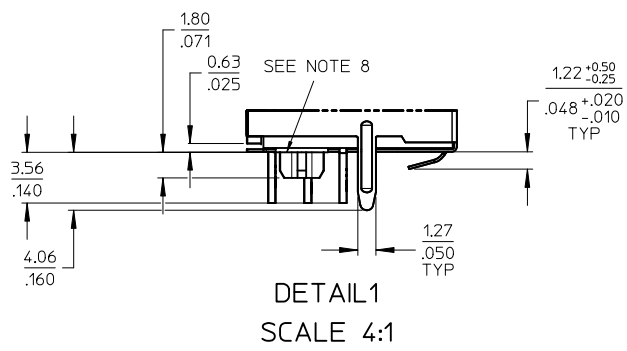
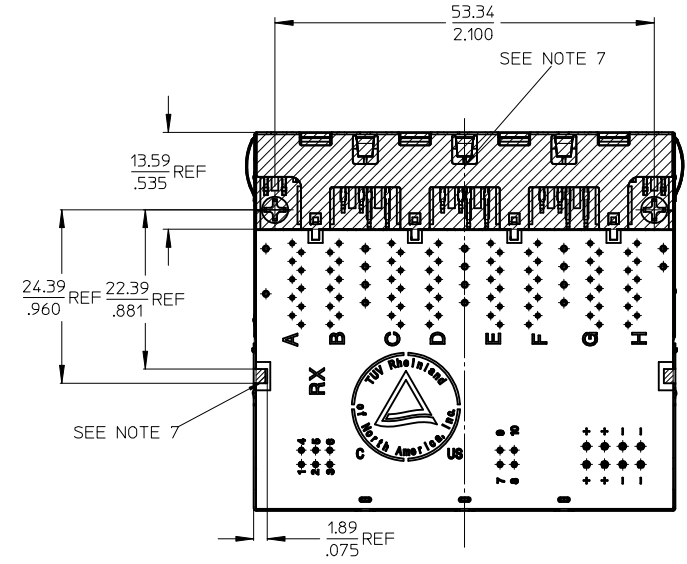
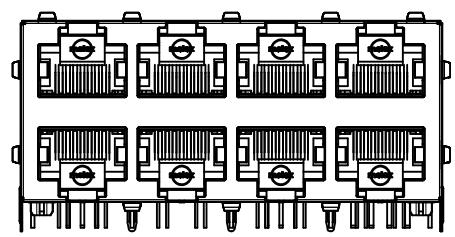


FRONT VIEW HYPER JACK 1000 POE+ ICM LED VERSION P/N 85729-0101



FRONT VIEW HYPERJACK 1000 POE+ ICM NON LED VERSION P/N 85729-0102

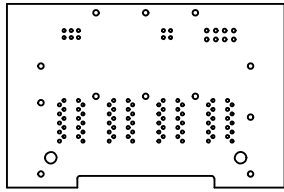


P / N	VERSION
85729-0101	LED VERSION
85729-0102	NON LED VERSION

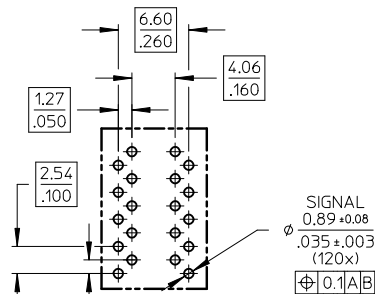
- NOTES:
- SHIELD MATERIAL: BRASS, PLATING: NICKEL PRE-PLATING
 - PLASTIC MATERIAL: POLYESTHER (PBT) BLACK, 30%GR, UL 94V-0
 - TERMINALS MATERIAL: COPPER ALLOY
RJ45 CONTACT PLATING: 0.76 MICROMETER GOLD OVER 1.9 MICROMETER NICKEL
SOLDER TERMINALS: 3 MICROMETER TIN
 - JACK TO BE MATED WITH FCC 68.5 PLUGS
 - PRODUCT SPECIFICATION: RPS-85719-001
 - PACKAGING SPECIFICATION: PK-85729-101
 - TRACES WITHOUT INSULATION NOT ALLOWED IN THE DASHED AREAS.
(TO AVOID SHORTS TO SHIELD)
 - STAND OFF TO SYSTEM BOARD

ENTER DESCRIPTION EC NO: MG2011-0049 DRWN: JBADER 2010/11/22 CHKD: MMANGARUDOV 2011/02/09 APPR: SSTE INKE 2012/02/28	QUALITY SYMBOLS ▽=0 ▽=0	GENERAL TOLERANCES (UNLESS SPECIFIED)		DIMENSION STYLE MM ONLY		SCALE 2:1	DESIGN UNITS METRIC	THIRD ANGLE PROJECTION	
		mm	INCH	DRAWN BY JBADER	DATE 2009/03/12	TITLE HYPERJACK 1000 POE+ PSE ICM 2X4	MATERIAL NO. SD-85729-101		
A	DESCRIPTION	4 PLACES ± --- ± ---	3 PLACES ± --- ± ---	2 PLACES ± 0.25 ± ---	1 PLACE ± 0.5 ± ---	APPROVED BY SSTE INKE	DATE 2009/03/12	DOCUMENT NO. SD-85729-101	
		ANGULAR ± .5 °		DRAFT WHERE APPLICABLE MUST REMAIN WITHIN DIMENSIONS		SEE BOM		SHEET NO. 1 OF 3	
THIS DRAWING CONTAINS INFORMATION THAT IS PROPRIETARY TO MOLEX INCORPORATED AND SHOULD NOT BE USED WITHOUT WRITTEN PERMISSION									

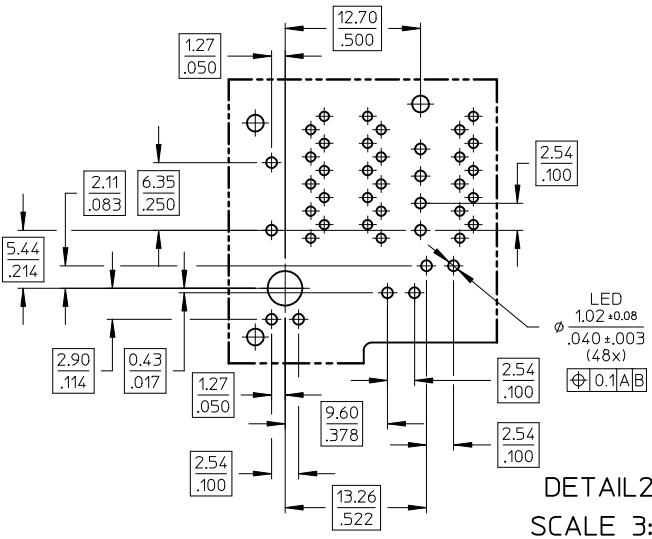
FOOT PRINT FOR NON LED VERSION (85729-0003)
MISSING DIMENSIONS SEE LED VERSION



SCALE 1:1

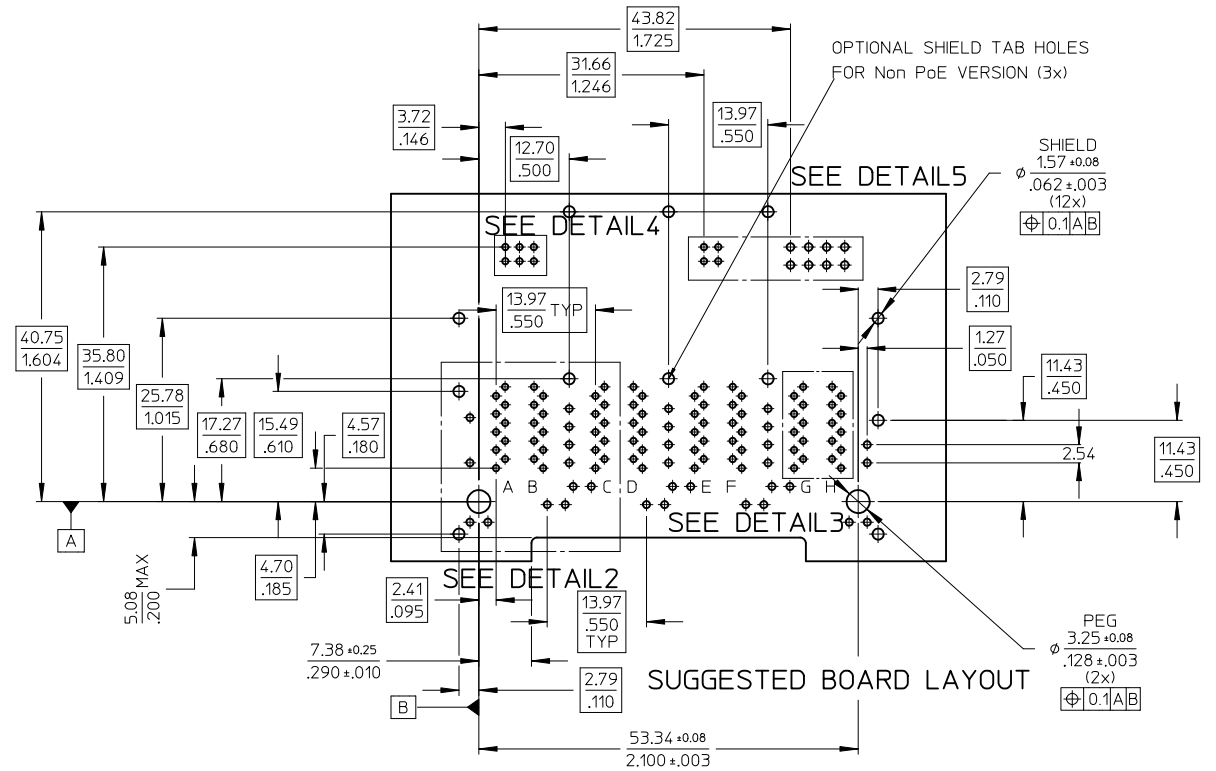


DETAIL3
SCALE 3:1

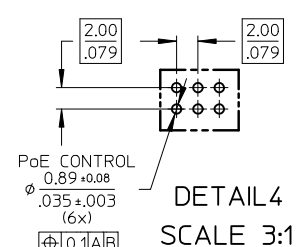


DETAIL2
SCALE 3:1

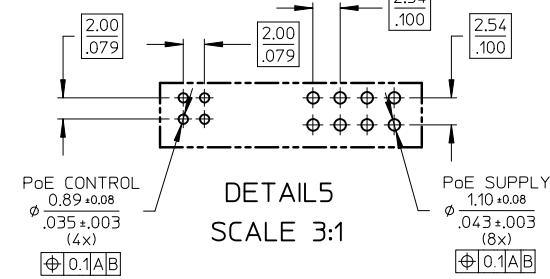
FOOT PRINT OUT FOR
LED VERSION



SUGGESTED BOARD LAYOUT



DETAIL4
SCALE 3:1



DETAIL5
SCALE 3:1

ENTER DESCRIPTION EC NO: M2011-0049 DRWN: JBADER CHKD: MMANGARUDOV APPR: SSTEINKE 2010/11/22 2011/02/09 2012/02/28	QUALITY SYMBOLS ▽=0 ▽=0	GENERAL TOLERANCES (UNLESS SPECIFIED)		DIMENSION STYLE MM ONLY	SCALE 2:1	DESIGN UNITS METRIC	THIRD ANGLE PROJECTION	
		4 PLACES ± --- ± --- 3 PLACES ± --- ± --- 2 PLACES ± 0.25 ± --- 1 PLACE ± 0.5 ± --- ANGULAR ± .5°	DRAWN BY JBADER DATE 2009/03/12	CHECKED BY MMANGARUDOV DATE 2009/03/12	TITLE HYPERJACK 1000 POE+ PSE ICM 2X4			
		DRAFT WHERE APPLICABLE MUST REMAIN WITHIN DIMENSIONS	APPROVED BY SSTEINKE DATE 2009/03/12	MATERIAL NO. SEE SHEET 1	MOLEX INCORPORATED DOCUMENT NO. SD-85729-101		SHEET NO. 2 OF 3	

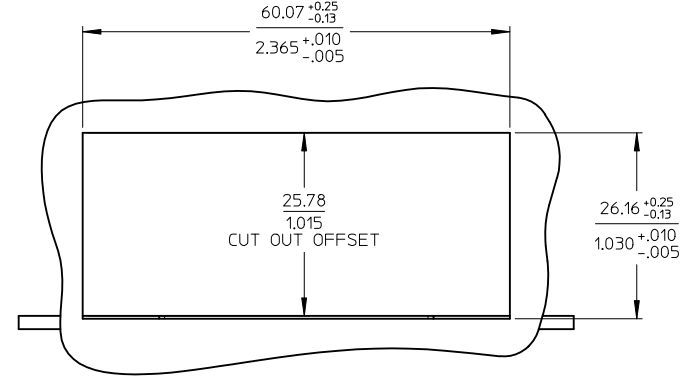
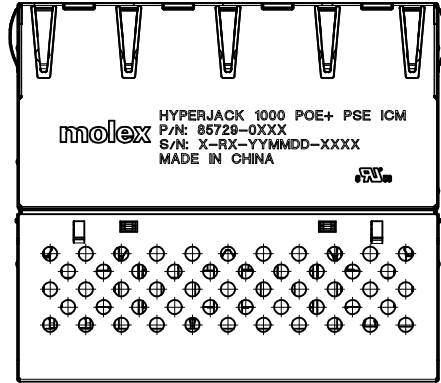
PRINTING
LED VERSION

HYPERJACK 1000 POE+ PSE ICM
P/N: 85729-0101
S/N: X-RX-YYMMDD-XXXX
MADE IN CHINA

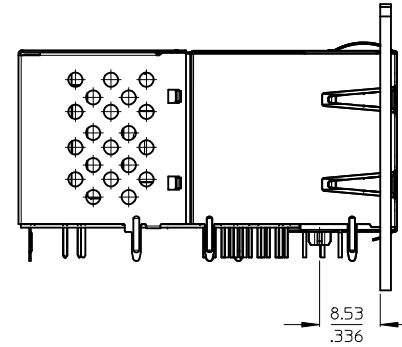
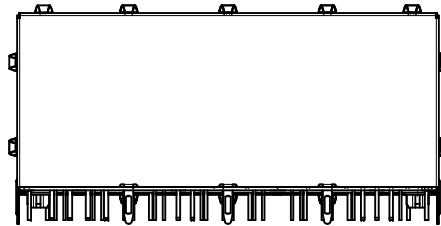
PRINTING
NON LED VERSION

HYPERJACK 1000 POE+ PSE ICM
P/N: 85729-0102
S/N: X-RX-YYMMDD-XXXX
MADE IN CHINA

PRINTING



SUGGESTED PANEL CUT OUT



NOTES:

- 1 - PRINTING MARKED BY LASER
- 2 - INSCRIPTION:
 - 1st LINE: PART NAME
 - 2nd LINE: PART NUMBER
 - 3rd LINE: SERIES NUMBER -> MANUFACTURER ID - CONNECTOR REVISION - DATE CODE (YEAR, MONTH, DAY) - CONSECUTIVE NUMBER
 - 4th LINE: COUNTRY OF ORIGIN
- 3 - UL LOGO (OPTIONAL)

ENTER DESCRIPTION EC NO: MG2011-0049 DRWN: JBADER 2010/11/22 CHKD: MMANGARUDOV 2011/02/09 APPR: SSTE INKE 2012/02/28	QUALITY SYMBOLS ▽=0 ▽=0	GENERAL TOLERANCES (UNLESS SPECIFIED)		DIMENSION STYLE MM ONLY		SCALE 2:1	DESIGN UNITS METRIC	THIRD ANGLE PROJECTION	
		mm	INCH	DRAWN BY JBADER	DATE 2009/03/12	TITLE HYPERJACK 1000 POE+ PSE ICM 2X4			
A	DESCRIPTION	4 PLACES ± --- ± ---		CHECKED BY MMANGARUDOV	DATE 2009/03/12	MATERIAL NO. SEE SHEET 1			
		3 PLACES ± --- ± ---		APPROVED BY SSTE INKE	DATE 2009/03/12	DOCUMENT NO. SD-85729-101			
		2 PLACES ± 0.25 ± ---		THIS DRAWING CONTAINS INFORMATION THAT IS PROPRIETARY TO MOLEX INCORPORATED AND SHOULD NOT BE USED WITHOUT WRITTEN PERMISSION					
		1 PLACE ± 0.5 ± ---		SHEET NO. 3 OF 3					
		ANGULAR ± .5 °							
		DRAFT WHERE APPLICABLE MUST REMAIN WITHIN DIMENSIONS							