

NOTES:

1.0 MATERIAL:

1.1 HOUSING: STAINLESS STEEL PER QQ-S-764 AND ASTM-A-582, TYPE 303.

1.2 DIELECTRIC: PTFE FLUOROCARBON PER MIL-P-19468 AND L-P-403.

1.3 CENTER CONTACT AND EXTENSION: BERYLLIUM COPPER ROD ALLOY C172, PER QQ-C-530.

2.0 PLATING:

2.1 HOUSING: PASSIVATED PER QQ-P-35 AND MIL-F-14072.

2.2 CENTER CONTACT AND EXTENSION: GOLD PER MIL-G-45204, TYPE II, CLASS 2.

3.0 MECHANICAL:

3.1 INTERFACE PER MIL-STD-348 IN ACCORDANCE WITH MIL-C-39012.

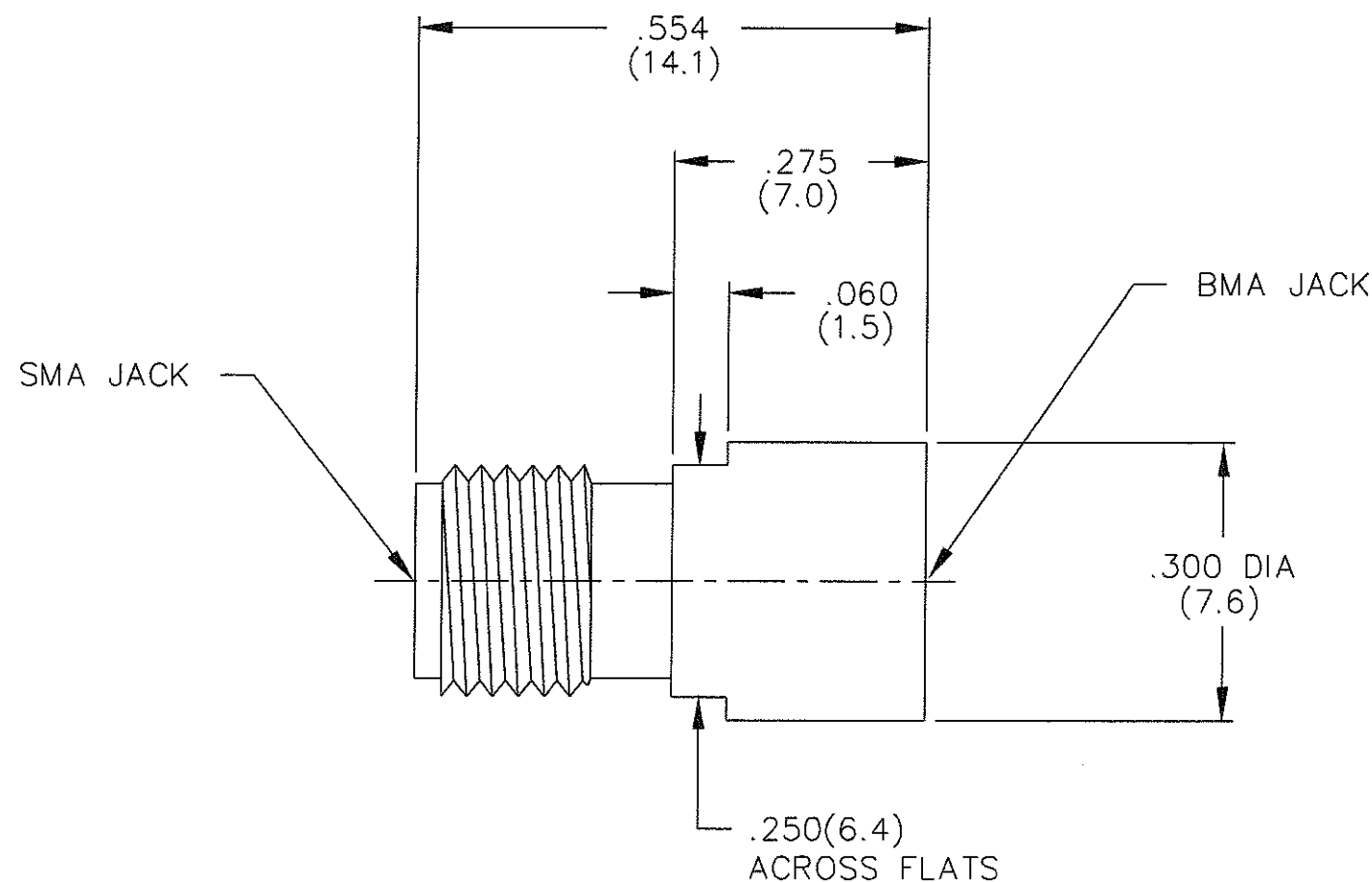
3.2 CENTER CONTACT CAPTURED IN ACCORDANCE WITH MIL-A-55339.

4.0 ELECTRICAL:

4.1 FREQUENCY RANGE: DC to 18 GHz

4.2 MAX V.S.W.R.: 1.05 + .005f(GHz)

5.0 DIMENSIONS IN PARENTHESIS ARE IN MILLIMETERS.



(OLD MODEL #'S 2767 & ADT-2767-FF-000-02)

MODEL NUMBER
ADT-2767-SF-BMF-02
REV.
-2

REV.	DESCRIPTION	DATE
-	RELEASED	9/30/90
-1	CHANGE MODEL #	1-8-91
-2	ADDED TITLEBLOCK	3/16/05

UNLESS OTHERWISE NOTED DIMENSIONS ARE IN INCHES AND TOLERANCES ARE: 3 PLACE DECIMALS ±.005 2 PLACE DECIMALS ±.02 FRACTIONS ±1/64 PARALLELITY: T.I.R. _____ FLATNESS: T.I.R. _____ CONCENTRICITY: T.I.R. _____ ANGLES AND PERPENDICULARITY: ±1°	FSCM NO. 34078	MIDWEST MICROWAVE	
	NOTICE: The information contained in this drawing is proprietary and must not be used without the permission of Midwest Microwave	TITLE ADAPTER SMA FEMALE to BMA FEMALE	
DRAWN/DATE D.SIEWERT 9/17/90	ENG./DATE A.BEATTY 9/19/90	DRAWING NUMBER ADT-2767-SF-BMF-02	
CHECKED/DATE T.GORDON 9/30/90	APPROVED/DATE	SCALE: 5=1	SHEET 1 of 1