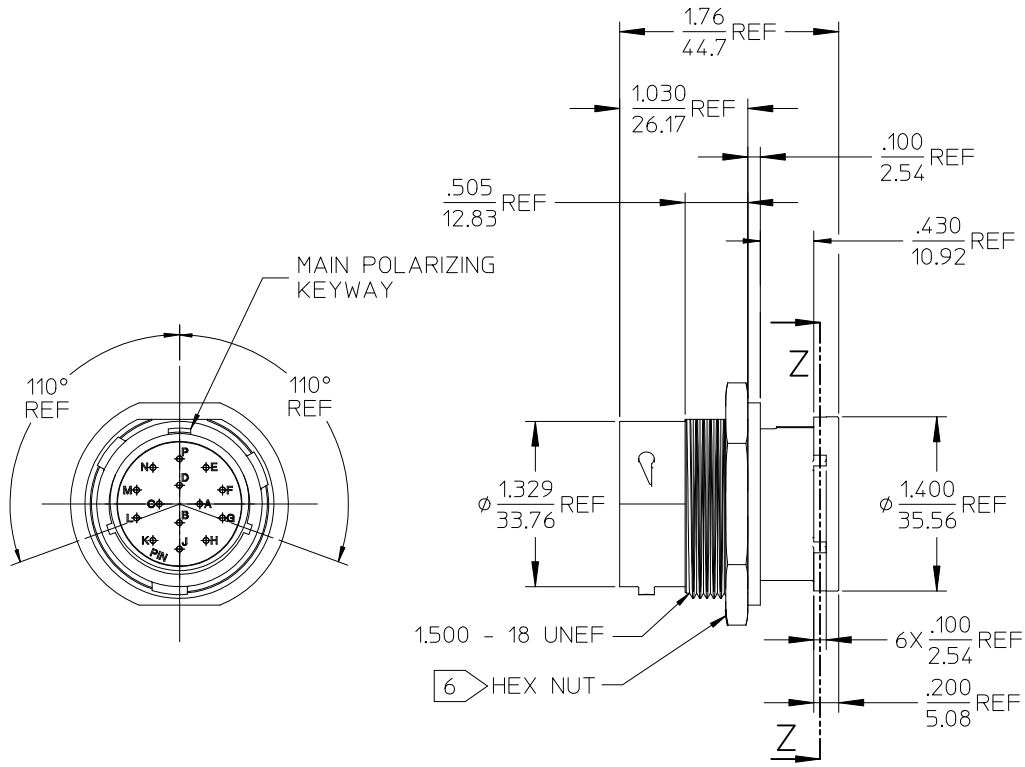
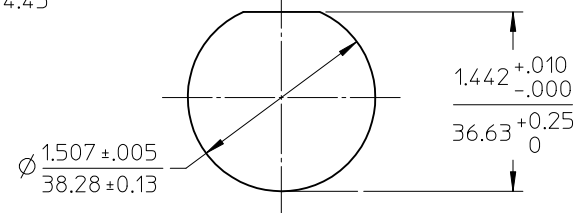
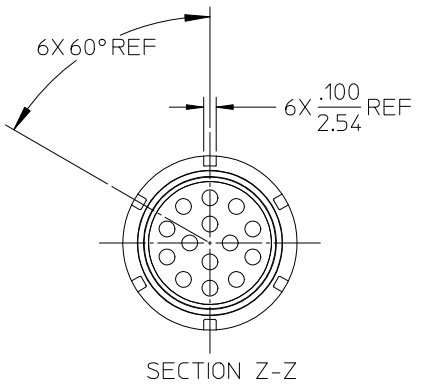
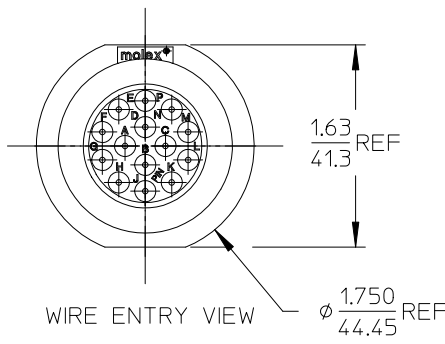
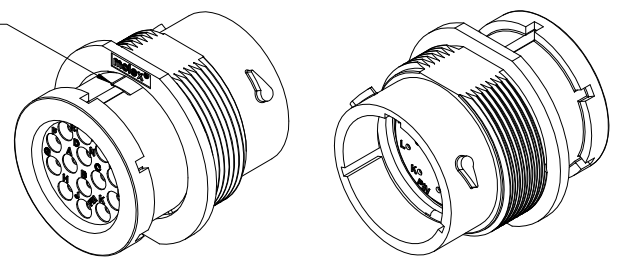


MATERIAL NUMBER	WIRE AWG	INSUL DIA O.D.
845020008	18-14	.053(1.35) - .134(3.40)



LARGE POLARIZING KEY INDICATOR



- NOTES:
- MATERIALS:
HOUSINGS: POLYESTER (PBT), GLASS FILLED, UL94V-0 & POLYETHERIMIDE (PEI), UNFILLED, UL94V-0.
COLOR, UNLESS OTHERWISE SPECIFIED: BLACK
SEALS: SILICONE RUBBER
COLOR: RUST RED
 - PRODUCT SPECIFICATION: PS-84501-001.
 - MATES WITH: SERIES 84507 PLUG CONNECTOR.
 - USE CONNECTOR WITH MALE CRIMP TERMINAL SERIES 84524.
 - ALL COMPONENTS ARE ROHS COMPLIANT.
 - HEX NUT SOLD SEPARATELY, OPTIONAL FOR PANEL MOUNTING
MOLEX MATERIAL NUMBER 845020004.
 - RECOMMENDED PANEL THICKNESS .062/1.58 TO .187/4.76

UPDATE NOTE TO 84525 TERMS, WIRE INS. O.D. & TOL. EC NO: WNAZ011-0402 CHKD: DRMNHLEUNG 2011/01/28 APPR: DJTITUS 2011/02/03	QUALITY SYMBOLS	GENERAL TOLERANCES (UNLESS SPECIFIED)	DIMENSION STYLE	SCALE	DESIGN UNITS	THIRD ANGLE PROJECTION
	▽=0 ▽=0	mm INCH 4 PLACES ± --- ± --- 3 PLACES ± --- ± .015 2 PLACES ± 0.38 ± .02 1 PLACE ± 0.5 ± --- ANGULAR ± 1°	IN/MM	1:1	INCH	DRAWN BY: BRUPERT DATE: 2006/2/8 CHECKED BY: JPAWLICKI DATE: 2006/2/8 APPROVED BY: RDEROSS DATE: 2006/2/8
		DRAFT WHERE APPLICABLE MUST REMAIN WITHIN DIMENSIONS	SEE CHART	TITLE: RECPT. CONNECTOR ASSEMBLY, 18-14 POS PIN TERMINALS MOLEX INCORPORATED		SHEET NO. 1 OF 1
			SIZE B	DOCUMENT NO. SD-84502-002 THIS DRAWING CONTAINS INFORMATION THAT IS PROPRIETARY TO MOLEX INCORPORATED AND SHOULD NOT BE USED WITHOUT WRITTEN PERMISSION		