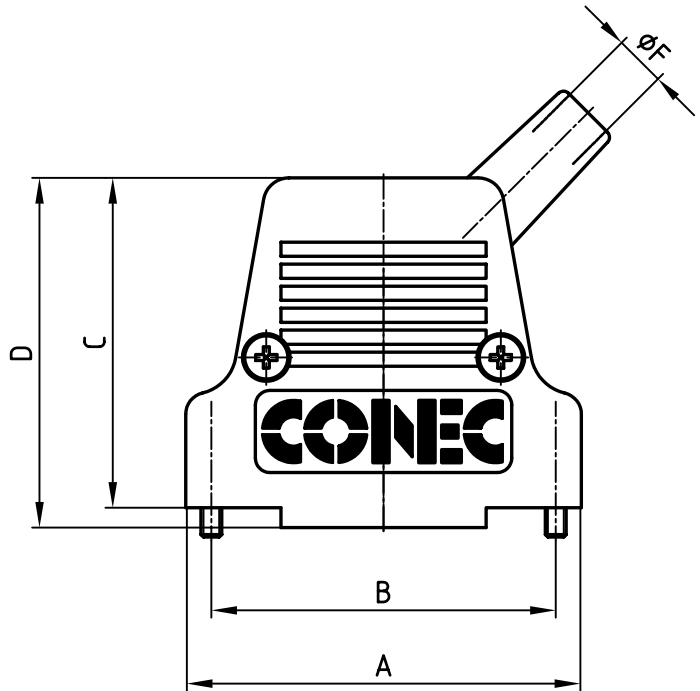
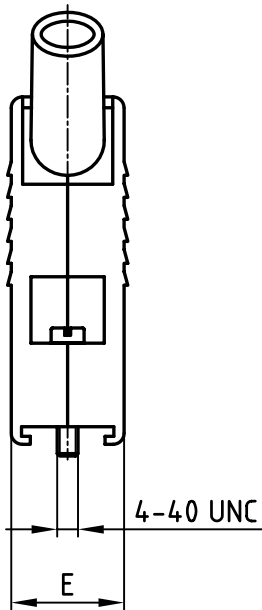


used for: D-SUB



No. of pos.	A	B	C	D	E	ϕF	Part No.
9	31.8	25.0	39.5	42.4	15.4	5.0	165X17559X
15	40.3	33.3	41.0	43.5	15.4	5.0	165X17569X
25	54.0	47.0	45.0	47.7	15.4	7.0	165X17579X
37	70.2	63.5	48.0	50.4	15.4	7.0	165X17589X
50	67.8	61.1	48.0	50.4	18.5	9.3	165X17599X

Directive 2002/95/EC
"RoHS"
Compliant

THIS DRAWING MAY NOT BE COPIED OR REPRODUCED IN ANY WAY, AND MAY NOT BE PASSED ON TO A THIRD PARTY WITHOUT WRITTEN PERMISSION.
OWNERSHIP AND COPYRIGHT OF CONEC GmbH
DO NOT ALTER CAD DRAWING BY HAND

tolerance			
2002	date	name	
drawn	15.05.	E. Mickenbecker	
appd.	15.05.	J. Resonnek	
norm			
d-old			
rev.	description	date	name



scale:	1:1		
material:	ZINC DIE-CAST		
title:	FULL METAL HOOD 9-50pos. with side cable exit short screws and cable sleeve		
dwg no:	AutoCAD 2000	DIN-A	
	16K1A577	4	
		sh: 1/1	
part no:	SEE TABLE		