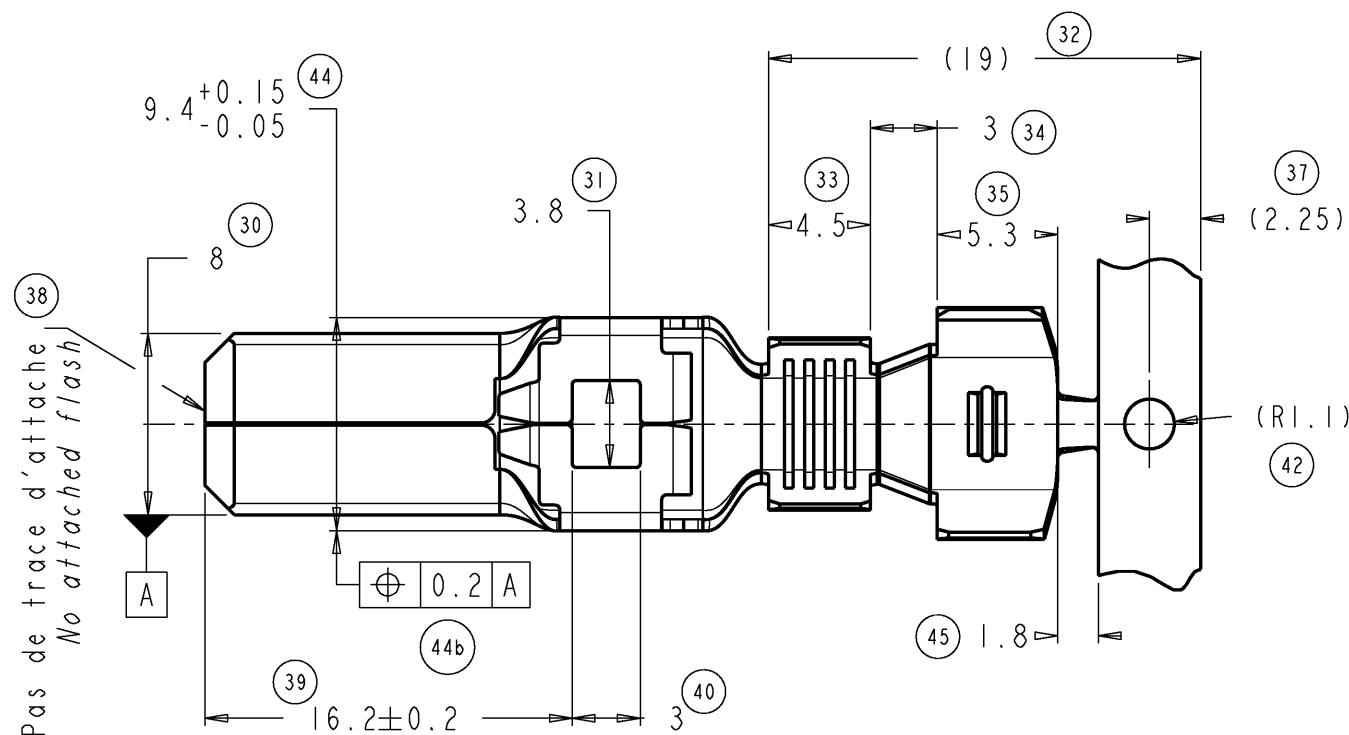
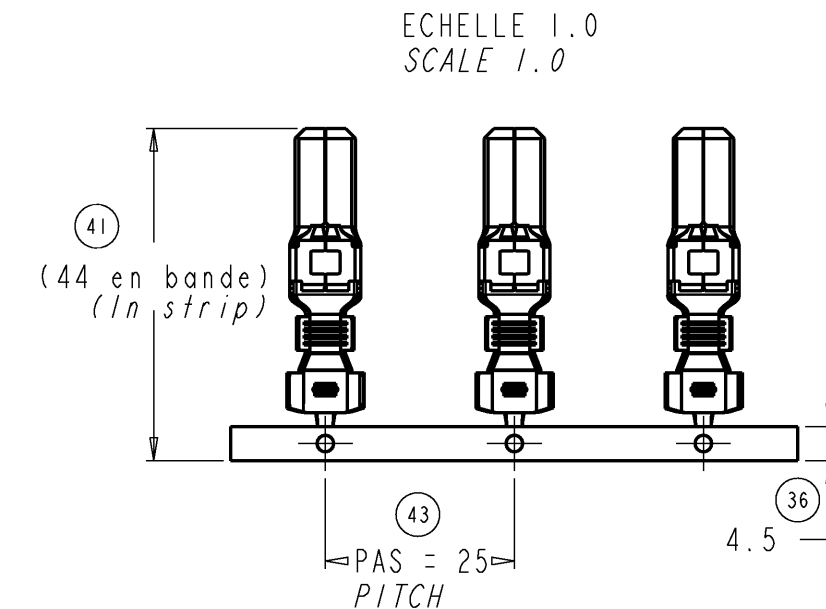
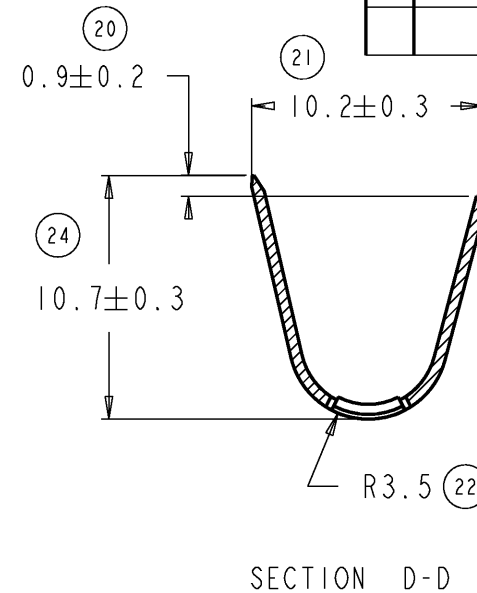
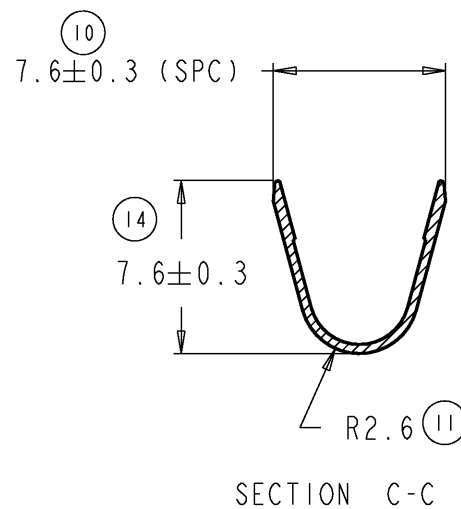
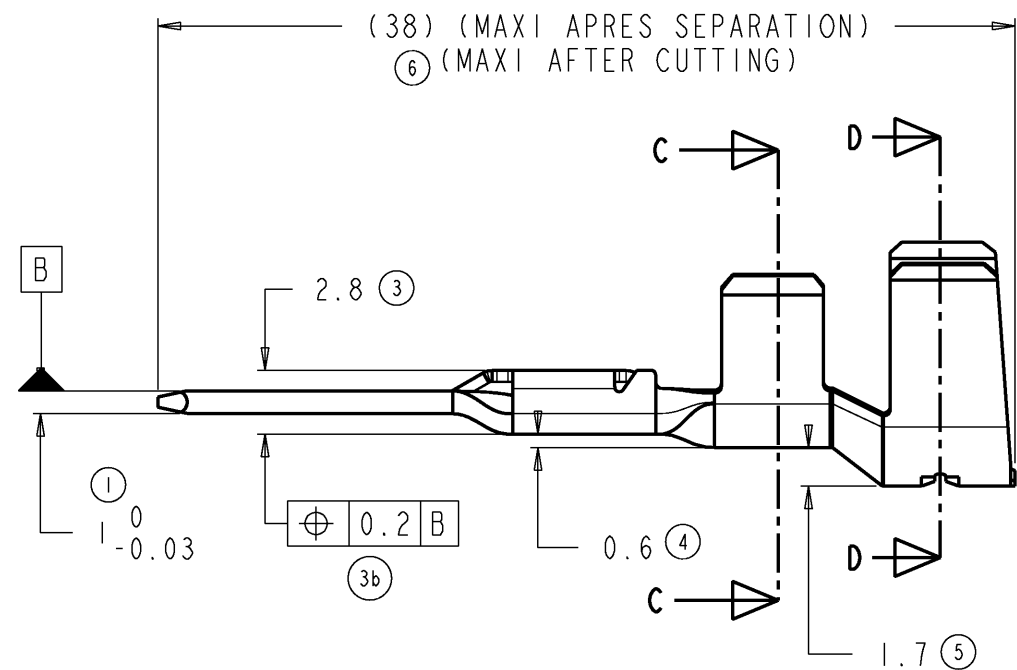


P	LTR REV	DESCRIPTION MODIFICATIONS	DATE	DWN DESS.	APVD APP.
C		PACKAGING MODIFICATION, SET UP TRANSITION	31MAR2008	PFs	JDr
-		BETWEEN TAB AND CAGE, TYCO TITLE BLOCK.			
-		CRIMPING SPECIFICATION REPLACED BY No			



( ) COTE DONNEE A TITRE INDICATIF  
( ) DIMENSION ONLY FOR INFORMATION

JOINT UNIFILAIRE ASSOCIE - ASSOCIATE WIRE SEAL		
DESIGNATION DEFINITION	PN TE TE PN	PN CLIENT CUSTOMER PN
JOINT UNIFILAIRE A SERTIR 7 A 10 mm <sup>2</sup> DIAMETRE FIL 4.3 A 6 mm SINGLE SEAL 7 TO 10 mm <sup>2</sup> WIRE DIAMETER FROM 4.3 TO 6mm	1544316-2	

PN CLIENT CUSTOMER PN	PN TE TE PN	MATIERE MATERIAL	PROTECTION FINISH
	1544333-1	LAITON / BRASS SPEC SM 125	Sn : 0.8 A 1.2µ SPEC 112-16-4

**CONDITIONNEMENT - PACKAGING**

- CONDITIONNEMENT SELON SPECIFICATIONS: 107-15603
- NOMBRE DE PIECES PAR GALETTE = 850
- NOMBRE DE GALLETES PAR CARTON = 2
- PACKAGING ACCORDING TO SPECIFICATIONS No: 107-15603
- NUMBER PARTS BY WHEEL = 850
- NUMBER OF WHEELS BY BOX = 2

THIS DRAWING IS A CONTROLLED DOCUMENT FOR TYCO ELECTRONICS CORPORATION  
IT IS SUBJECT TO CHANGE AND THE CONTROLLING ENGINEERING ORGANIZATION  
SHOULD BE CONTACTED FOR THE LATEST REVISION.  
CE PLAN EST UN DOCUMENT CONTROLE PAR AMP INCORPORATED.  
IL EST SUSCEPTIBLE D'ETRE REVISE. CONTACTER LE SERVICE  
TECHNIQUE D'AMP DE FRANCE POUR OBTENIR LA DERNIERE REVISION.

DIMENSIONS: mm	TOLERANCES UNLESS OTHERWISE SPECIFIED: TOLERANCES NON SPECIFIEES (SUIV NB DE DECIMALES): 1 PLC/DEC: ± 2 PLC/DEC: ±0.1 3 PLC/DEC: ± 4 PLC/DEC: ± ANGLES ±2°
MATERIAL MATIERE	FINISH FINITION
SEE TABLE	SEE TABLE

DWN/DESSINE P. FLORES	31MAR08
CHK/VERIFIE L. CORONELLI	31MAR08
APVD/APPROUVE J. DAHER	31MAR08
PRODUCT SPEC SPEC. PRODUIT 108-15346	
APPLICATION SPEC SPEC. APPLICATION 114-15112	
WEIGHT MASSE APPROX.	0.003kg

Tyco Electronics		Tyco Electronics France SAS RN 90, 38530 Chapareillan	
NAME TITRE	LANGUETTE 8NG1 - GAMME 7 A 10 mm <sup>2</sup> 8NG1 TAB - RANGE 7 TO 10mm <sup>2</sup>		
SIZE FORMAT	CAGE CODE	DRAWING NO No PLAN	RESTRICTED TO RESERVE A
A3	00779	1544333	-
CUSTOMER DRAWING /PLAN CLIENT		UNIQUEMENT POUR REFERENCE	SCALE ECHELLE 3
SHEET FEUILLE	OF DE	REV C	