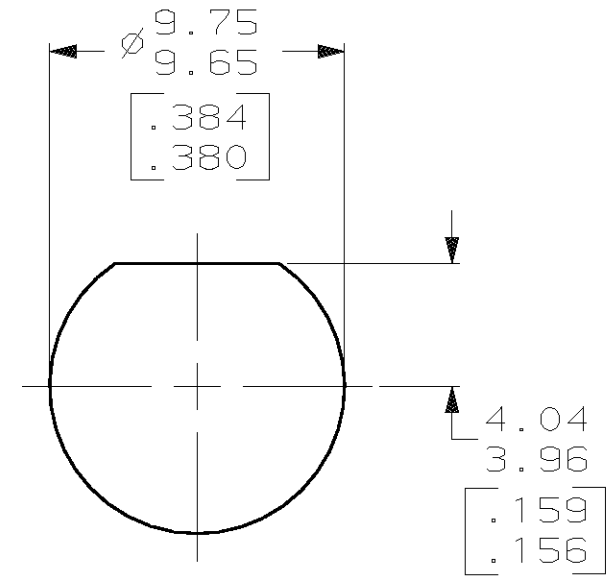
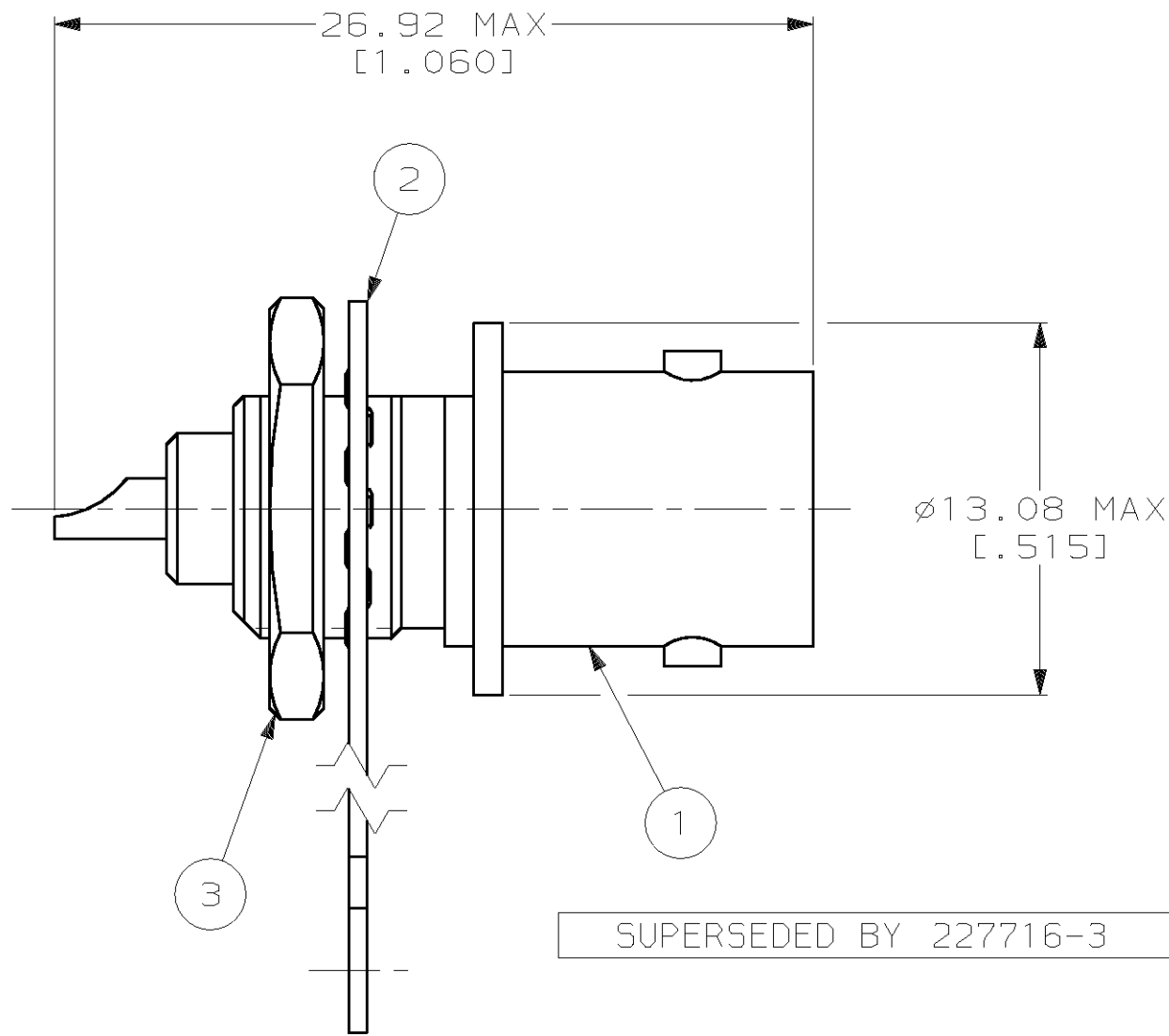


THIS DRAWING IS UNPUBLISHED. RELEASED FOR PUBLICATION, 19
 © COPYRIGHT 19 BY AMP INCORPORATED. ALL INTERNATIONAL RIGHTS RESERVED.

| LOC | DIST | P | F | ZONE | LTR | DESCRIPTION | DATE | APPD |
|-----|------|---|---|------|-----|----------------------------|----------|------|
| AJ | 16 | | | | C | REDWN & OBS -2 PER AJ-2713 | 07-26-91 | BAS |
| | | | | | D | SUPSD -1 PER AJ-6066 | 09-16-92 | KT |
| | | | | | E | REV PER 0220-0371-94 | 6-1-94 | JL |



RECOMMENDED PANEL CUTOUT

SUPERSEDED BY 227716-3

| | | | |
|--------------------|------------------------------------|----------------------|-------------|
| 1-330249-1 | 227260-2 | 227717-3 | 227716-3 |
| 1-330249-1 | 227260-2 | 227717-1 | 227716-1 |
| 3 JAM NUT QTY=1 | 2 LOCKWASHER, TERMINAL QTY=1 | 1 JACK ASSY QTY=1 | PART NUMBER |

| | | PART NO | |
|--|-----------------------------|--|--------------------|
| DO NOT SCALE PRINT. UNLESS SPECIFIED DIMENSIONS IN mm [INCHES] TOLERANCES ON: 2 PLC DEC ± - 3 PLC DEC ± - ANGLES ± - | DR 07-26-91 B. SCOTT | AMP AMP Incorporated Harrisburg, PA 17105-3608 | |
| | CHK 8-14-91 J. LIPPERT | | |
| | APPD 8-15-91 M. PHILLIPS | NAME SOLDER JACK, SERIES BNC | |
| | APPD 8-15-91 J. LIPPERT | SIZE B | CAGE CODE 00779 |
| MATERIAL - | PRODUCT SPEC - | SCALE 4:1 | |
| FINISH - | APPLICATION SPEC - | SHEET 1 OF 1 | |
| | WEIGHT - | | |