

LOC	DIST	REVISIONS			
GP	00	REV	DATE	BY	APPD
		A	28MAR2007	RG	PD
		B	15SEP2011	RG	MS

- PART NUMBER CHANGES AND OR DESIGN CHANGES AFFECTING ITEM INTERCHANGEABILITY REQUIRE PRIOR TYCO APPROVAL AND AUTHORIZATION BY REVISION TO THIS DRAWING.
- MATERIAL:
 - INSULATORS - THERMOPLASTIC, GLASS REINFORCED, COLOR: BLACK UL94V-0 FLAMMABILITY RATED.
 - POWER CONTACTS - PHOSPHOR BRONZE ALLOY, COPPER ALLOY
 - SIGNAL PINS-BRASS ALLOY
 - CROWN BAND-BERYLLIUM COPPER ALLOY
- FINISH:
 - CONTACTS - GOLD PLATE 0.76µm MIN. THK., OVER NICKEL 1.27µm MIN. THK
 - SOLDER TAILS- TIN 3.05µm MIN. THK. OVER NICKEL 1.27µm MIN THK.

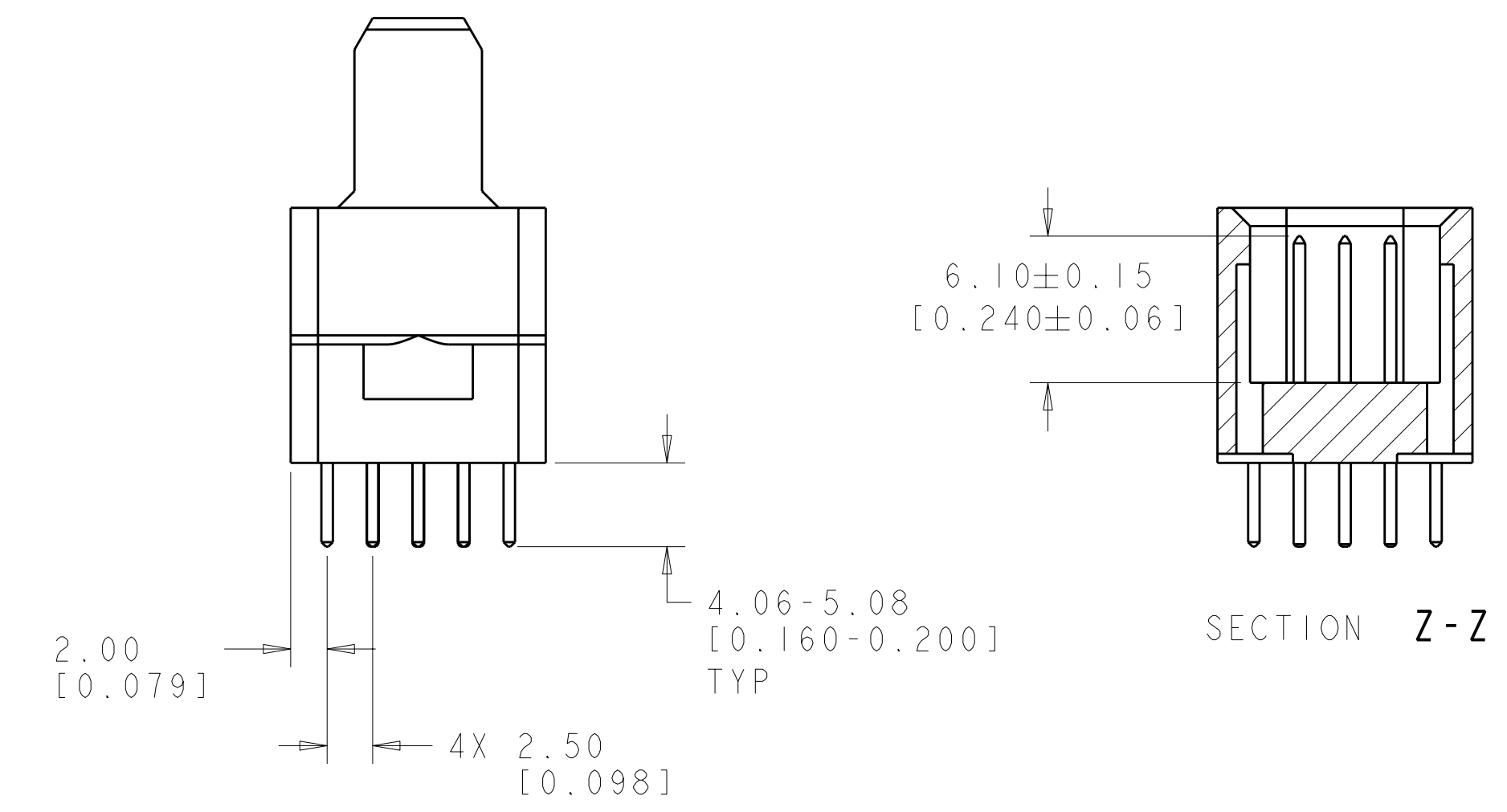
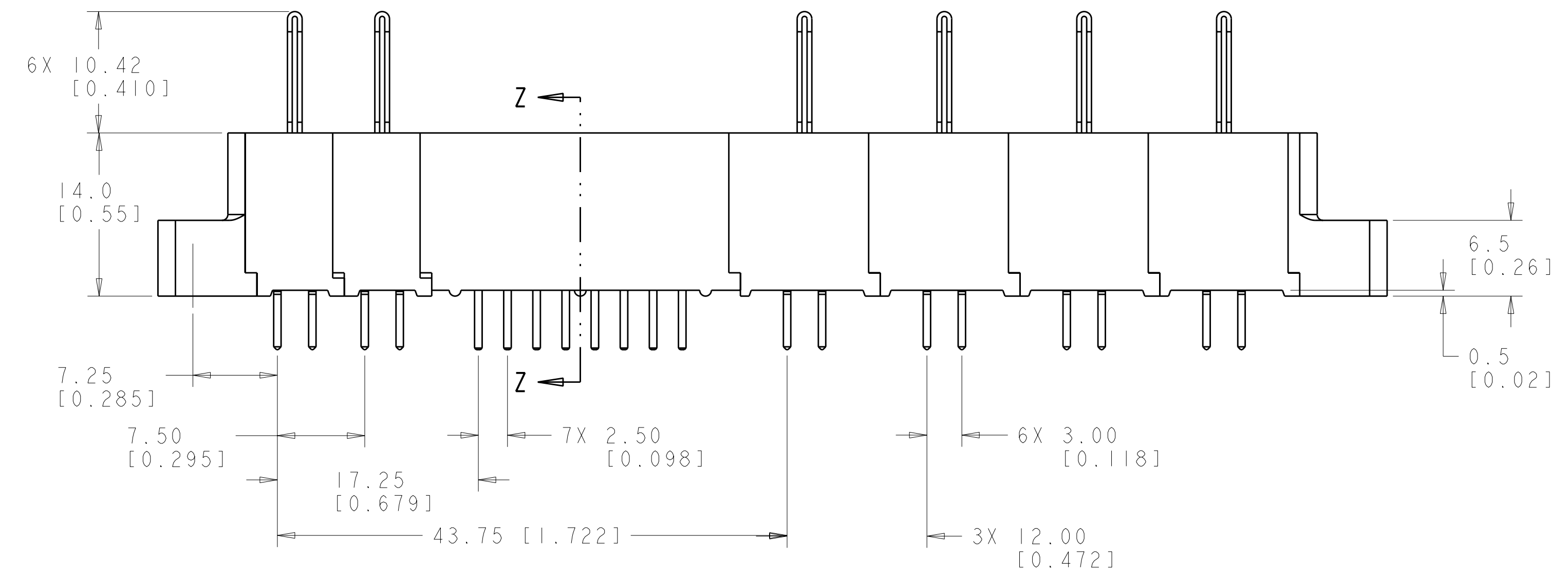
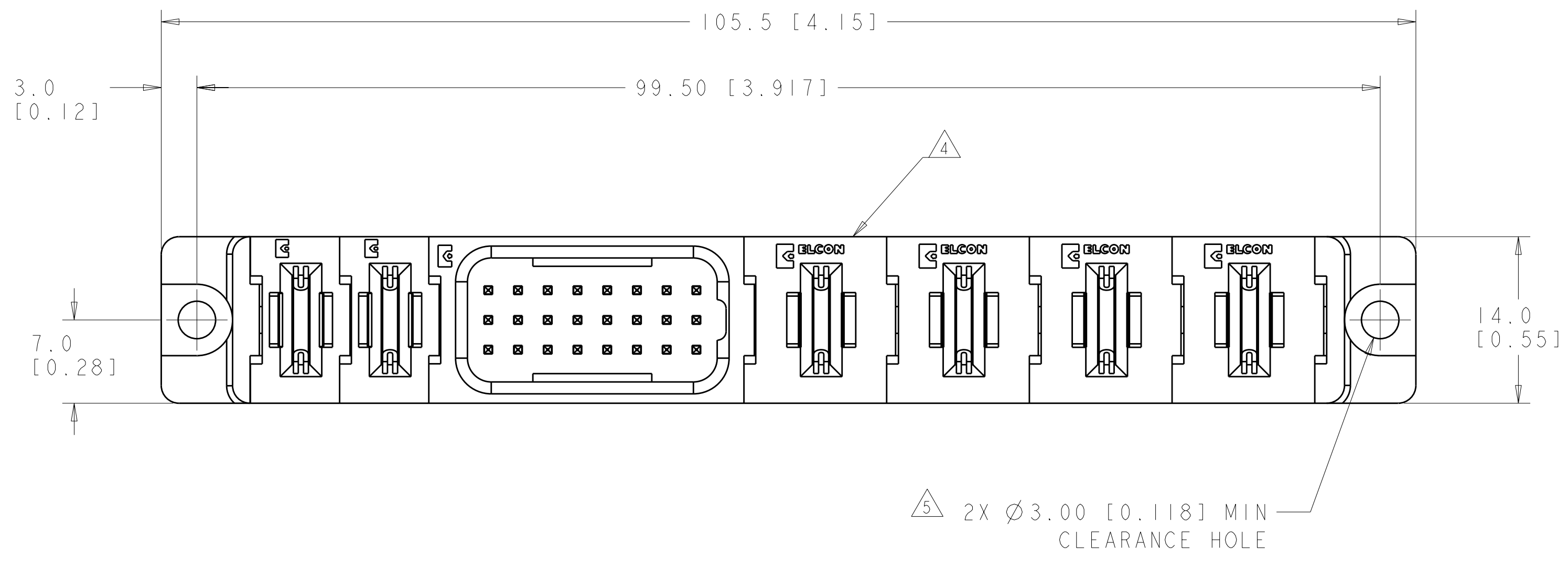
△ ITEMS PROVIDED TO THIS SPECIFICATION TO BE PERMANENTLY IDENTIFIED PER THE FOLLOWING IDENTIFIER LABEL

TYCO PART NO. DATE CODE (e.g. 0106)

XXXXXXXX-X XXXX

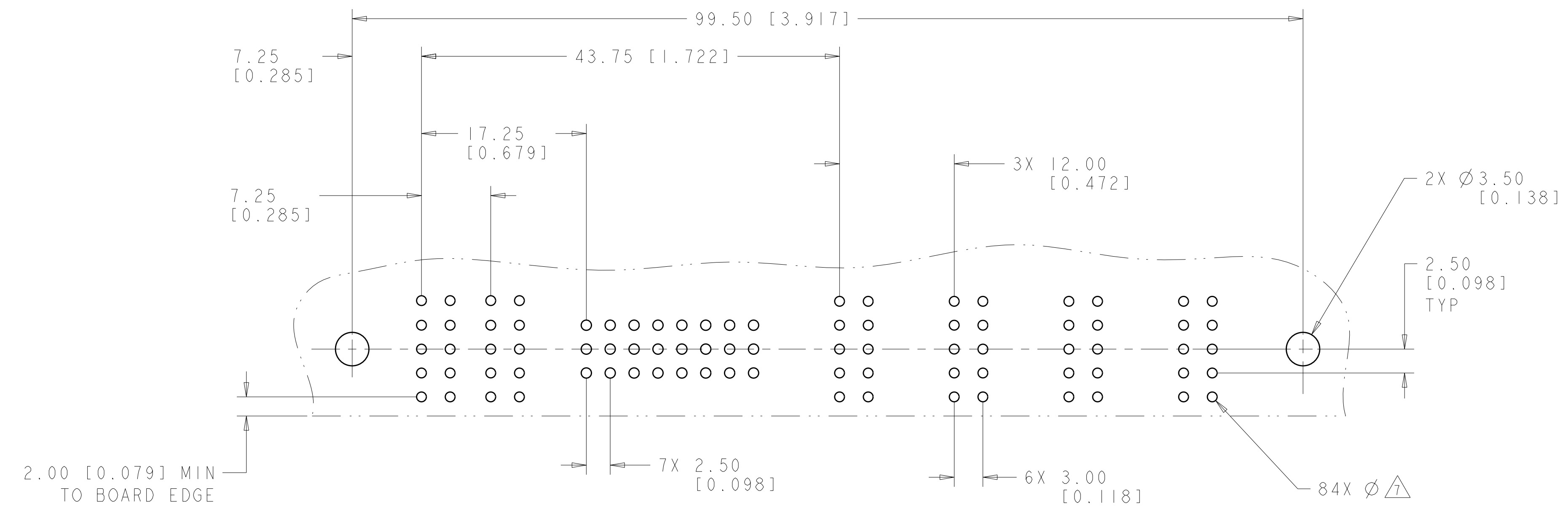
YEAR WEEK

△ MOUNTING FLANGES ACCEPT M3 OR #4 SCREWS. (USER SUPPLIED)



AS SHOWN		6646621-1	
DESCRIPTION		PART NUMBER	
DIMENSIONS: mm TOLERANCES UNLESS OTHERWISE SPECIFIED: 9 PLC ±.5 [1.025] 3 PLC ±.25 [1.010] 5 PLC ±.5 [1.010] 4 PLC ±.5 ANGLES ±.5 FINISH		DWN R. GRZYBOWSKI 27MAR2007 CHK P. DAMATO 27MAR2007 APVD S. FLICKINGER 27MAR2007 PRODUCT SPEC APPLICATION SPEC WEIGHT CUSTOMER DRAWING	
MATERIAL: - FINISH: -		NAME: PIN CONNECTOR STRAIGHT, SOLDER TAILS FLATPAQ SIZE: A100779 CAGE CODE: C=6646621 SCALE: 3:1 SHEET: 1 OF 3 REV: B	
Tyco Electronics Harrisburg, PA 17105-3608		RESTRICTED TO	

LOC	DIST	REVISIONS			
P	LTB	DESCRIPTION	DATE	DWN	APVD
-	-	SEE SHEET 1	-	-	-



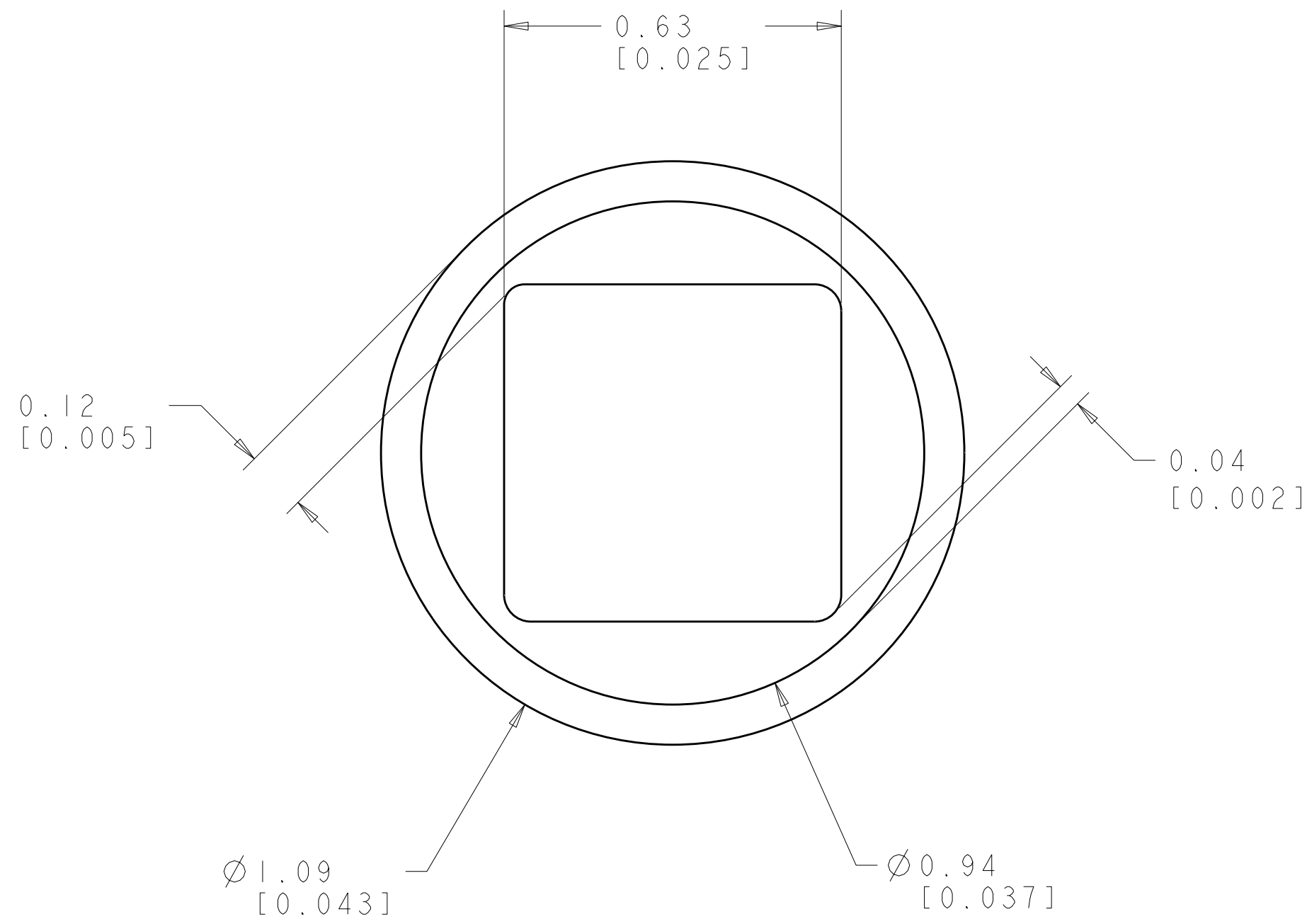
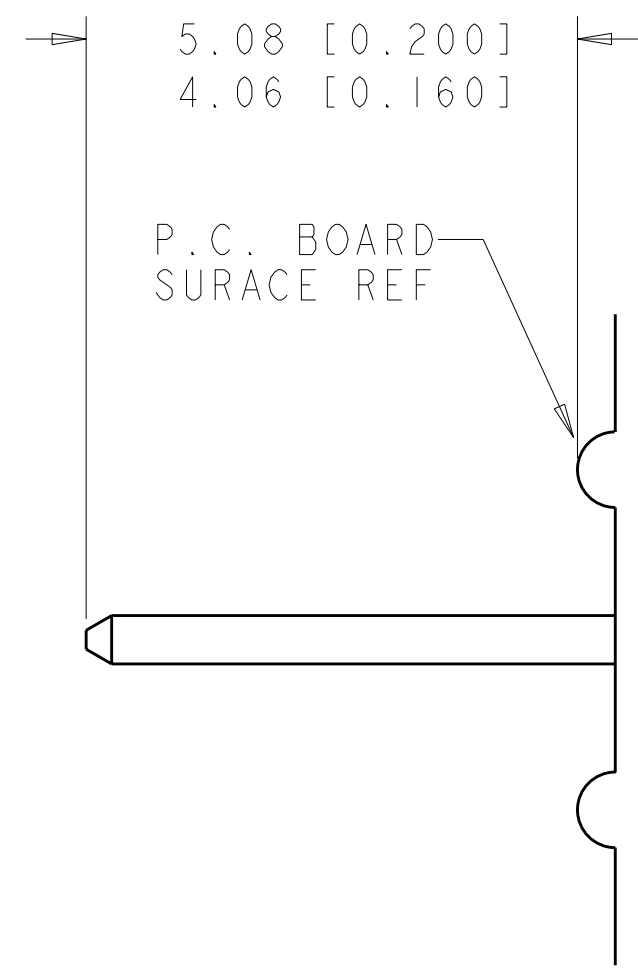
PRINTED CIRCUIT LAYOUT
 COMPONENT SIDE

CONNECTOR	CATALOG MODULE #	QTY	SIZE NO.	CONTACT QTY	MATING PIN	MAX. CURRENT (PER CONTACT)	CONTACT SPACING	VOLTAGE RATING	
PIN	FP101	2	8	2	1.25 X 7.00 [.049 X .276]	35 amps	7.50 [0.295]	250 VOLTS	
	FP117	4	8	4	1.25 X 7.00 [.049 X .276]	35 amps	12.00 [.4724]	600 VOLTS	
	FP300	1	22	24	.64 [.025] SQ.	3 amps	2.50 [.0984]	125 VOLTS	
	FP500	1	MOUNTING FLANGE, LEFT						
	FP501	1	MOUNTING FLANGE, RIGHT						

ELCON FLATPAQ

<small>THIS DRAWING IS UNPUBLISHED. RELEASED FOR PUBLICATION 20. © COPYRIGHT 20 BY TYCO ELECTRONICS CORPORATION, ALL RIGHTS RESERVED.</small>		DWN R. GRZYBOWSKI 21MAR2007 CHK P. DAMATO 21MAR2007 APVD S. FLICKINGER 21MAR2007	tyco Electronics Tyco Electronics Harrisburg, PA 17105-3608
DIMENSIONS: mm 	TOLERANCES UNLESS OTHERWISE SPECIFIED: 0 PLC ±.5 [.025] 1 PLC ±.5 [.025] 2 PLC ±.5 [.025] 3 PLC ±.5 [.025] 4 PLC ±.5 [.025] ANGLES ±.5	NAME: PIN CONNECTOR STRAIGHT, SOLDER TAILS FLATPAQ PRODUCT SPEC: - APPLICATION SPEC: - WEIGHT: - FINISH: -	SIZE: A100779 CAGE CODE: C-6646621 DRAWING NO: - RESTRICTED TO: - SCALE: 3:1 SHEET 2 OF 3 REV B
MATERIAL: -		CUSTOMER DRAWING	

LOC	DIST	REV	DATE	BY	APPD
GP	00	-	-	-	-
DESCRIPTION			DATE	DWN	APPD
SEE SHEET 1			-	-	-



6. SOLDER PIN DETAIL
SCALE 10 : 1

7. SOLDER TERMINATION AREA
 SCALE 40:1
 RECOMMENDED PRINTED CIRCUIT SOLDER HOLE
 FINISHED HOLE: Ø1.02 [0.040] ±.08 [0.003]
 DRILLED HOLE: Ø1.15 [0.0453] ±.013 [0.0005]
 COPPER PLATE: .025 [0.0010] MIN
 TIN PLATE: .008 [0.0003] MIN. (PER SURFACE)

<small>THIS DRAWING IS UNPUBLISHED. RELEASED FOR PUBLICATION BY TYCO ELECTRONICS CORPORATION. ALL RIGHTS RESERVED.</small>		DWN: R. GRZYBOWSKI 21MAR2007 CHK: P. DAMATO 21MAR2007 APPD: S. FLICKINGER 21MAR2007	tyco Electronics Tyco Electronics Harrisburg, PA 17105-3608
DIMENSIONS: mm 	TOLERANCES UNLESS OTHERWISE SPECIFIED: 9 PLC ±.5 [0.025] 8 PLC ±.25 [0.010] 5 PLC ±.1 [0.005] 4 PLC ±.05 [0.002] ANGLES ±.5	NAME: PIN CONNECTOR STRAIGHT, SOLDER TAILS FLATPAQ PRODUCT SPEC: APPLICATION SPEC: WEIGHT: FINISH:	SIZE: A 00779 C=6646621 SCALE: 3:1 SHEET: 3 OF 3 REV: B
MATERIAL: -		CUSTOMER DRAWING	