

Automatic Passive Infrared Wall Switch Sensor

WALL SWITCH OCCUPANCY SENSORS

TITLE
24
COMPLIANCE



IWSZP3P

PROJECT INFORMATION

Project Name _____

Catalog No. _____

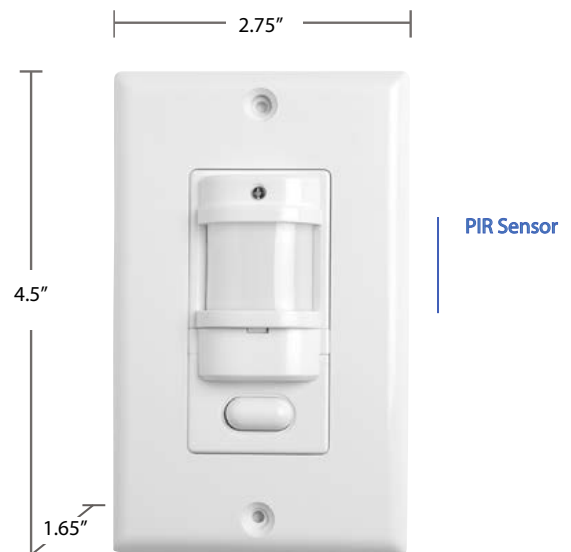
Date _____

The IWSZP3P is an automatic passive infrared wall switch occupancy sensor that provides excellent energy savings as well as reliable motion detection. The sensors' low profile housing design provides the perfect wall switch for applications including private offices, conference rooms, break rooms, lounges and storage areas.

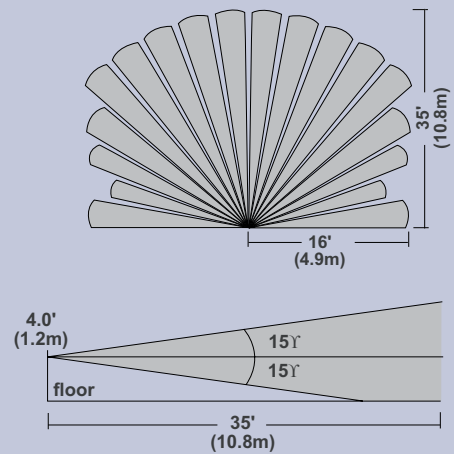
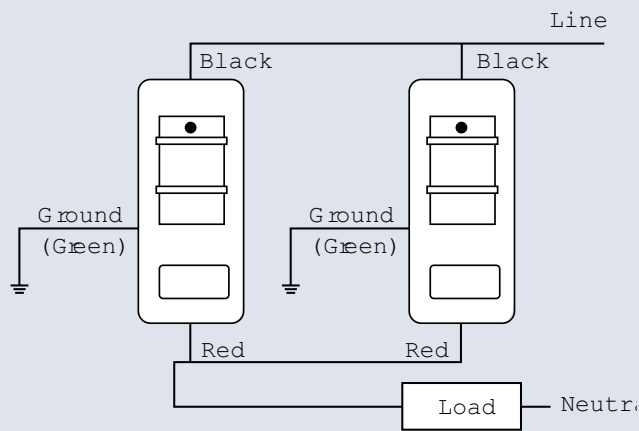
When a person enters the sensor's field of view, the IWSZP3P will automatically switch "ON" available lighting. The sensor will automatically switch OFF lighting after a specific time period of no occupancy.

PRODUCT FEATURES

- Zero Arc Point Switching
- No minimum load requirement
- Adjustable time delay and sensitivity
- Built-in photocell
- Walk test indicator
- Dual 120/277VAC operation
- UL and cUL listed
- Five-year limited warranty
- 120-277 Vac



HUBBELL
Control Solutions



General Specifications

| | |
|-----------------------|--|
| Timer Timeout | Fully adjustable from 30 seconds to 30 minutes |
| Sensitivity | Fully adjustable from 20% to 100% |
| Passive Infrared | Multi-segment IR Fresnel lens |
| Photocell | Adjustable ambient light override ranges from approximately 5 foot-candles (50 lux) to 200 foot-candles (2000 lux) |
| Coverage | 900 sq. ft., 180 degrees |
| Power Requirements | 120 or 277VAC, 60 Hz |
| Electrical Ratings | 120VAC: 800W Incandescent, 1000W Fluorescent, 1/6 HP 277VAC: 1800W Fluorescent, 1/6 HP |
| Load Requirements | No minimum load |
| Operating environment | Indoor use only Operating temperature: 32° to 122° F (0° to 50° C) 0% to 95% relative humidity, non-condensing |
| Construction | Housing – high-impact, injection-molded plastic Color-coded leads are 6" long |
| Dimensions | 4.5" H x 2.75" W x 1.625" D |
| Weight | 2.9 oz |
| Color | White |
| Mounting | Single gang NEMA style switch box, decorator style wall plate |
| Certifications | UL and cUL Listed |
| Warranty | Five-year limited |

Ordering Information

| | | |
|--------------|---------------------|--------------------|
| IWSZP | 3P | |
| MODEL | CONTROL | COLOR |
| IWSZP | 3P Auto On/Auto Off | W White I Ivory |



HUBBELL
Control Solutions