

# "High Frequency Ceramic Solutions"

## 890MHz Low Pass Filter, SMD

P/N 0898LP18A035

Detail Specification: 4/12/2013

Page 1 of 2

### General Specifications

<b>Part Number</b>	0898LP18A035	<b>Reel Quantity</b>	3,000
<b>Operating Frequency</b>	880 - 915 MHz	<b>Recommended Storage Conditions</b>	+5 to +35°C, Humidity 45~75%RH, 18 mos. Max
<b>Insertion Loss</b>	0.6 dB max.		
<b>Return Loss</b>	10.9 max	<b>Operating Temperature</b>	-40 to +85°C
<b>Attenuation (db)</b>	30 dB @ 2 x fo	<b>Power Capacity</b>	2W max. (CW)
<b>Attenuation (db)</b>	18 dB @ 3 x fo		

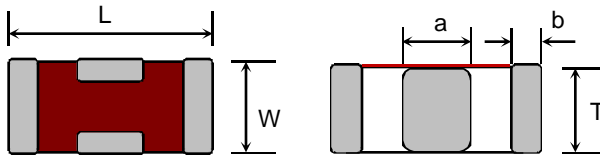
Packaging info at:  
<http://www.johansontechnology.com/ipcpackaging.html>

### Part Number Explanation

<b>P/N Suffix</b>	<b>Packing Style</b>	Bulk	Suffix = S	eg. 0898LP18A035S
		T & R	Suffix = E	eg. 0898LP18A035E
	Termination style	100% Tin	Suffix = None	eg. 0898LP18A035 (E or S)
	<b>Evaluation Board</b>	0898LP18A035-EB-SMA		

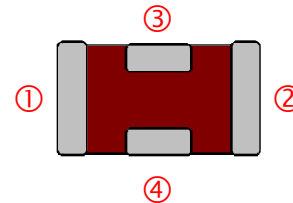
### Mechanical Dimensions

	In	mm
<b>L</b>	0.126 ± 0.012	3.20 ± 0.30
<b>W</b>	0.063 ± 0.012	1.60 ± 0.30
<b>T</b>	0.039 ± 0.008	1.00 ± 0.20
<b>a</b>	0.031 ± 0.012	0.80 ± 0.30
<b>b</b>	0.020 ± 0.012	0.50 ± 0.30



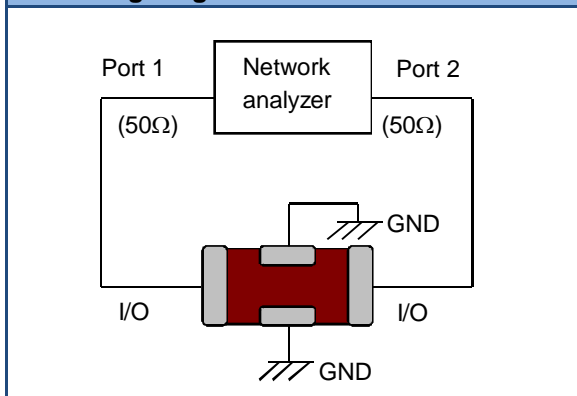
### Terminal Configuration

No.	Function	No.	Function
1*	I/O	3	GND
2*	I/O	4	GND

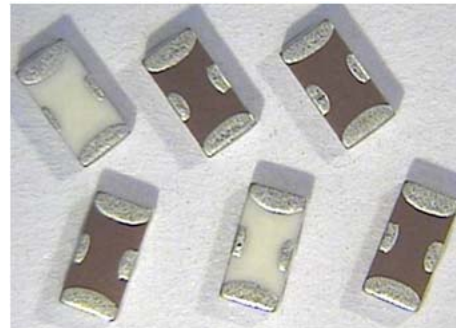


\* Pins 1 and two are interchangeable (simmetric design)

### Measuring Diagram



### Appearance



# "High Frequency Ceramic Solutions"

890MHz Low Pass Filter, SMD

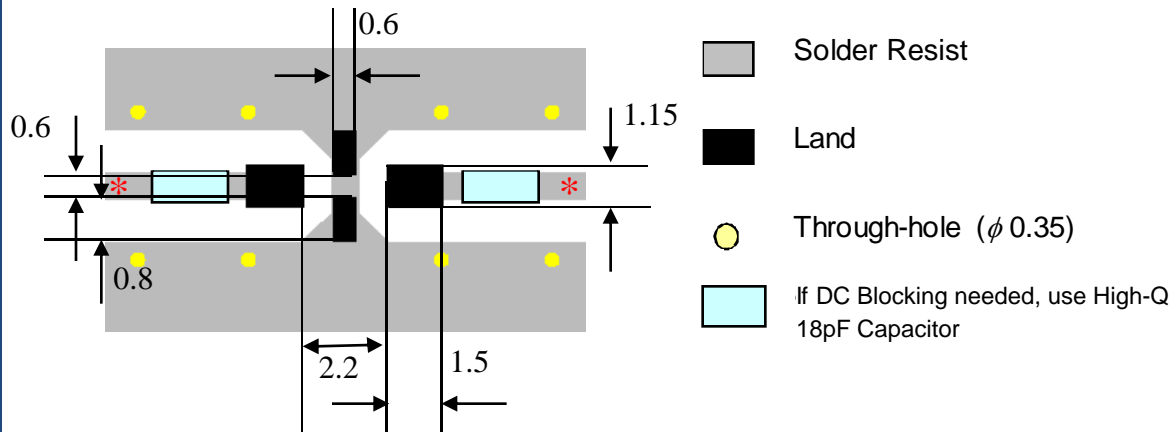
P/N 0898LP18A035

Detail Specification: 4/12/2013

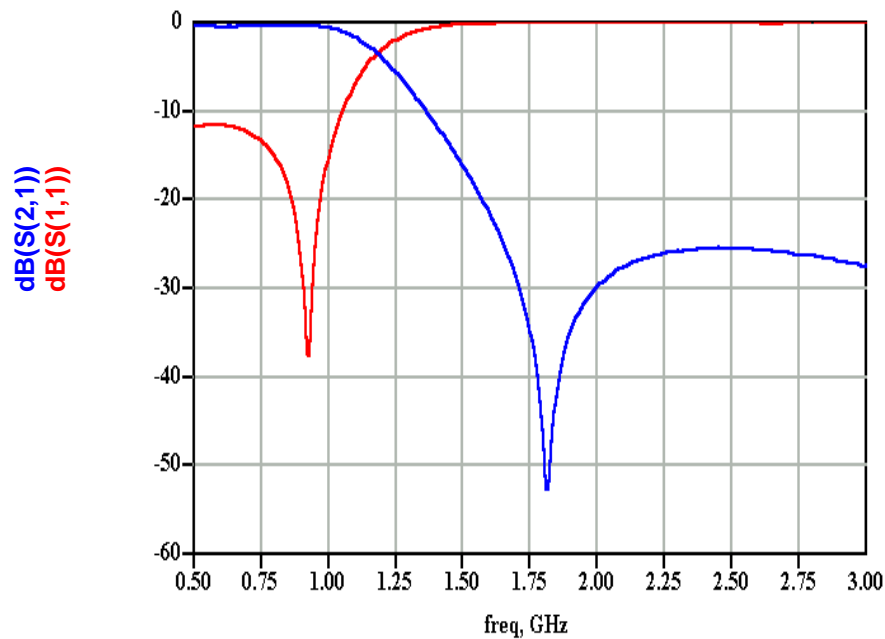
Page 2 of 2

## Mounting Considerations

\*Line width should be designed to match 50Ω characteristic impedance, depending on PCB material and thickness.



## Typical Electrical Characteristics(T=25°C)



Soldering Profile: <http://johansontechnology.com/ipcsoldering-profile>

Johanson Technology, Inc. reserves the right to make design changes without notice. Please confirm the specifications and delivery conditions when placing your order. All sales are subject to Johanson Technology, Inc. terms and conditions.



[www.johansontechnology.com](http://www.johansontechnology.com)  
4001 Calle Tecate • Camarillo, CA 93012 • TEL 805.389.1166 FAX 805.389.1821  
Ver. 1.0 2013 Johanson Technology, Inc. All Rights Reserved