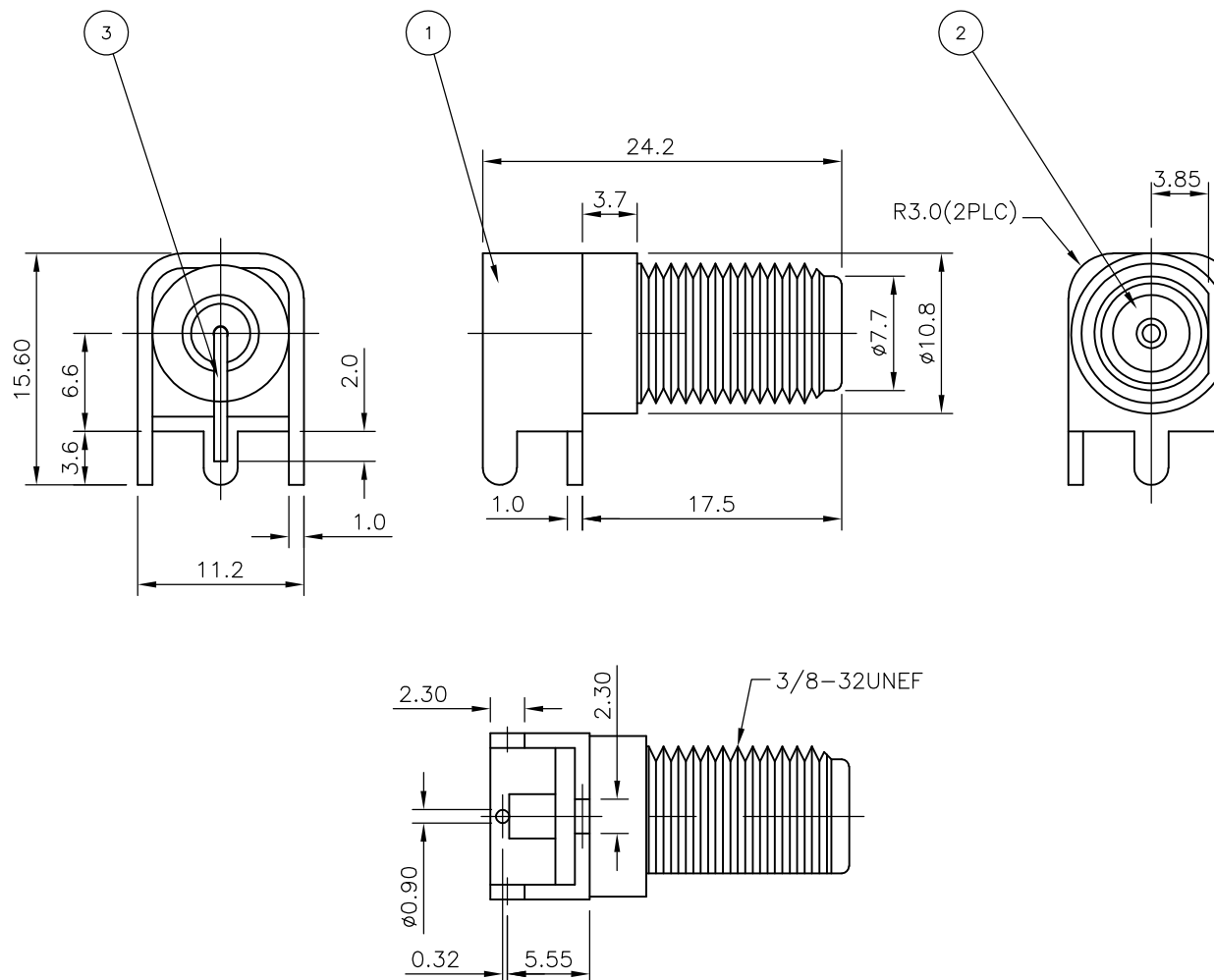


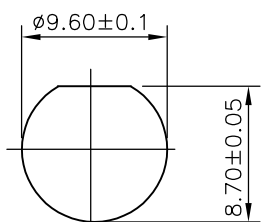
LOC	DIST	REVISIONS			
P	LTR	DESCRIPTION	DATE	DWN	APVD
E	B	B	REVISED PER ECO-09-003420	16FEB09	ANS BOB
		C	REVISED PER ECO-11-021675	02NOV11	TITAN MARTIN

NOTES:

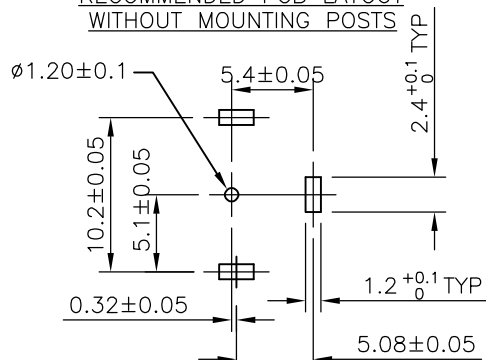
- 1 SINGLE PACK IN ACCORDANCE WITH AMP SPEC 107-3275
- 2 50 TRAY PACK IN ACCORDANCE WITH AMP SPEC 107-3275
- 3 TIN PLATING
- 4 NICKEL PLATING
- 5. FOR TECHNICAL DATA REFER TO YOUR LOCAL TYCO ELECTRONICS SALES OFFICE
- 6. ALL DIMENSIONS ARE NOMINAL FOR REFERENCE ONLY UNLESS OTHERWISE STATED



RECOMMENDED MOUNTING HOLE



RECOMMENDED PCB LAYOUT WITHOUT MOUNTING POSTS



QTY	UNIT	DESCRIPTION	ITEM
1	1	TPX	INSULATOR 3
1	1	ZINC ALLOY	BODY 2
1	1	PHOS BRONZE	CONTACT 1
5--1	5--0	MATERIAL	DESCRIPTION

Obsolete

QUANTITY PER ASSY PARTS LIST

THIS DRAWING IS A CONTROLLED DOCUMENT.

DWN ANSON MA 14FEB09  
CHK RITA ZUO 14FEB09  
APVD BOB ZHAO 14FEB09

PRODUCT SPEC 108-112000  
APPLICATION SPEC N/A

WEIGHT -

CUSTOMER DRAWING

SCALE NTS SHEET 1 OF 1 REV C

TE Connectivity  
F TYPE ELBOW PCB SOCKET 75 Ohm 24.2

SIZE A3 CAGE CODE 00779 DRAWING NO C-1814828 RESTRICTED TO -