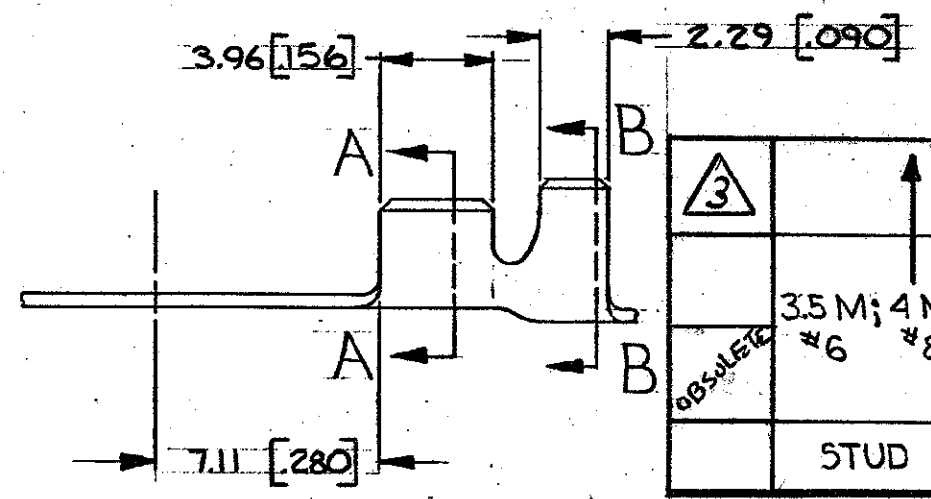
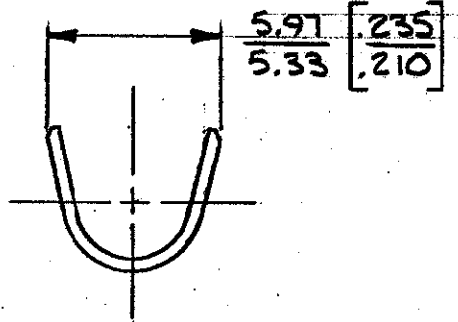
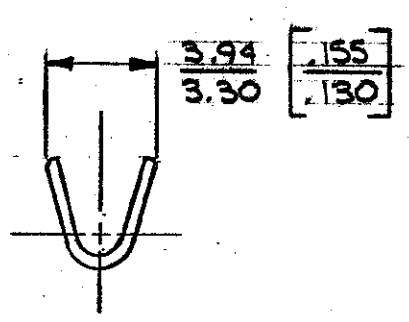
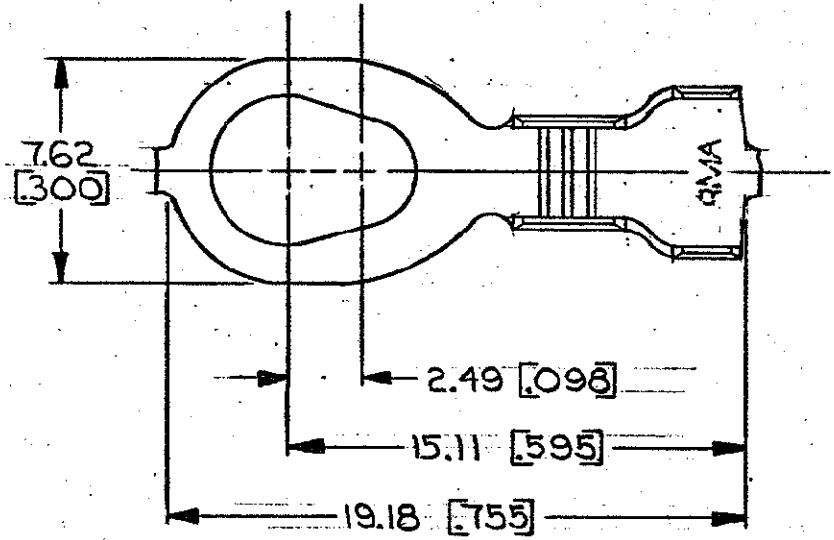


© COPYRIGHT 1976 BY AMP INCORPORATED, HARRISBURG, PA.
ALL INTERNATIONAL RIGHTS RESERVED. AMP INCORPORATED PRODUCTS
COVERED BY U. S. AND FOREIGN PATENTS AND/OR PATENTS PENDING.

				1		LOC	AF	DIST	50
		REVISIONS							
P	F	ZONE	LTR	DESCRIPTION			DATE	APPROVED	
✓			C	REDRAWN & REVISED A-3943			5/18/78		
✓			D	OBS. -1 AF-4787			5-2-88	MSF/DPD	
			E	ADDED-3 PER 063A-0372-01			6-2-91		



3	↑	↑	↑	PRE-TIN	0.41 [016] BRASS	4
3.5 M; 4 M; —	↑	↑	↑	PRE-TIN	0.41 [016] BRASS	350981-2
ABSOLUTE #6 #8 #10	↑	0.8 - 2.0mm ² [18-14]	3.05 - 4.32 [120-.170]	NONE		350981-1
STUD SIZE	WIRE RANGE	INSULATION RANGE	FINISH	MATERIAL	PART NO	

- 1. CONTINUOUS STRIP ON REELS.
- 2. DIMENSIONS IN BRACKETS ARE IN INCHES.
- 3. REDUCED PACKAGE QUANTITY.
- 4. PRELIMINARY - NOT FOR PRODUCTION.

METRIC

UNLESS OTHERWISE SPECIFIED DIMENSIONS ARE IN mm. TOLERANCES ON DECIMALS ±0.38 [015]. ANGLES ±1° 0'

CONTRACT NO. DR. *A. Magano* 5/18/78

CHK. *W. J. Davis* 7-25-78

APPD. *R. P. Frantz* 8-8-78

APPD. *Es. 7* 8-10-78

AMP INCORPORATED Harrisburg, Pa.

NAME: RING

SIZE: B CODE IDENT NO: 00779 DRAWING NO: 350981

SCALE: — SHEET: —