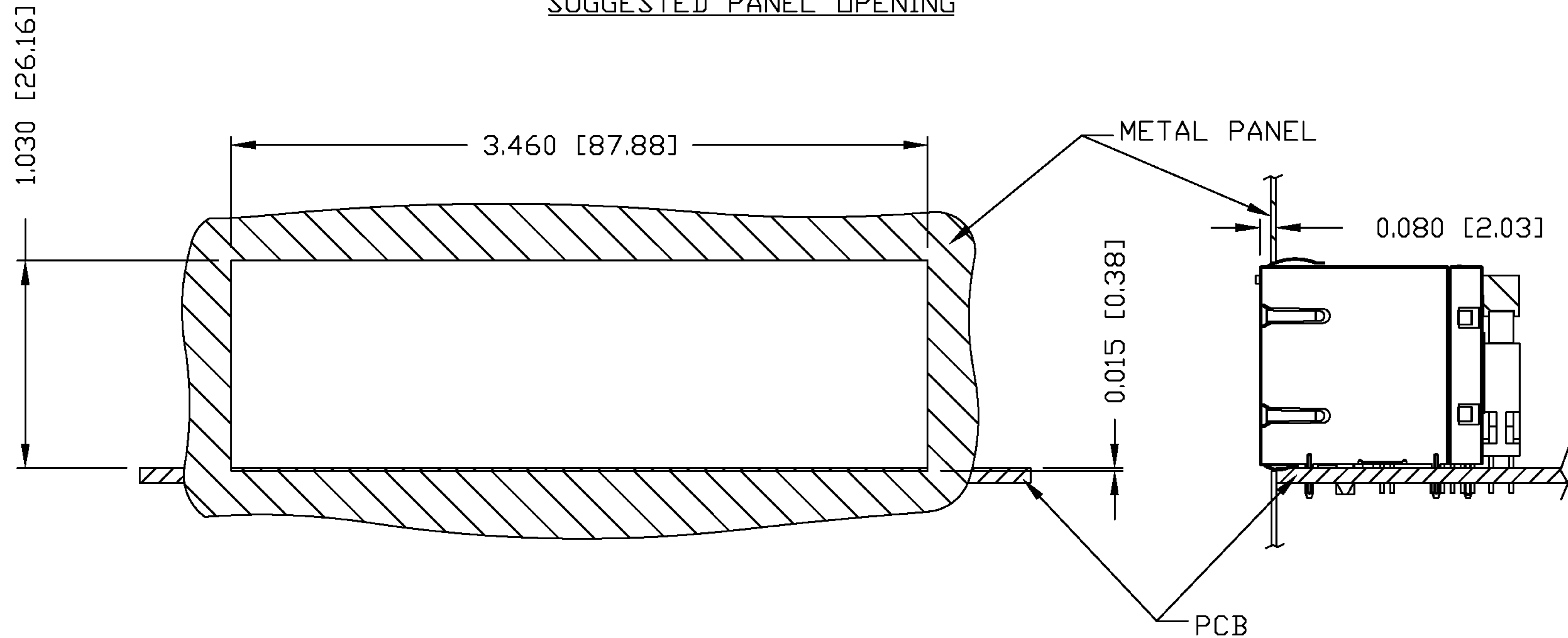


THE INFORMATION CONTAINED HEREIN IS CONSIDERED "PROPRIETARY" TO BEL FUSE INC. AND SHALL NOT BE COPIED, REPRODUCED OR DISCLOSED WITHOUT THE WRITTEN APPROVAL OF BEL FUSE INC.

RoHS
2002/95/EC



SUGGESTED PANEL OPENING



NOTE:

THE DISTANCE OF PANEL INSIDE SURFACE RELATIVE TO FRONT SURFACE OF PART IS ONLY A SUGGESTION. IN CASE THIS DISTANCE IS DIFFERENT, THE REQUIRED PANEL OPENING DIMENSIONS CHANGE ACCORDINGLY.

PACKING INFORMATION

PACKING TRAY : 0200-9999-E1 (TOP)

0200-9999-F5 (BOTTOM)

PACKING QUANTITY : 15 PCS FINISHED GOODS PER TRAY

6 TRAYS (90 PCS FINISHED GOODS) PER CARTON BOX

NOTE : CARDBOARDS ARE PLACED BETWEEN LAYERS OF PACKING TRAY INSIDE CARTON BOX (INCLUDE THE UPPERMOST AND LOWERMOST TRAY)

ORIGINATED BY QIN	DATE 03-04-06	TITLE 2X6 10/100 MagJack® VOIP/POE W/LED 0864-2X6R-55-F	PART NO. / DRAWING NO. 08642X6R55-F		STANDARD DIM. TOL. IN INCH		[] METRIC DIM. AS REFERENCE		 COMPONENTS FOR A CONNECTED PLANET
	DATE 03-04-06		FILE NAME 08642X6R55-FA.DWG	.X		UNIT : INCH [mm]	REV. : A		
DRAWN BY TING			.XX		SCALE : N/A	SIZE : A4			
			.XXX	±0.004		PAGE : 6			

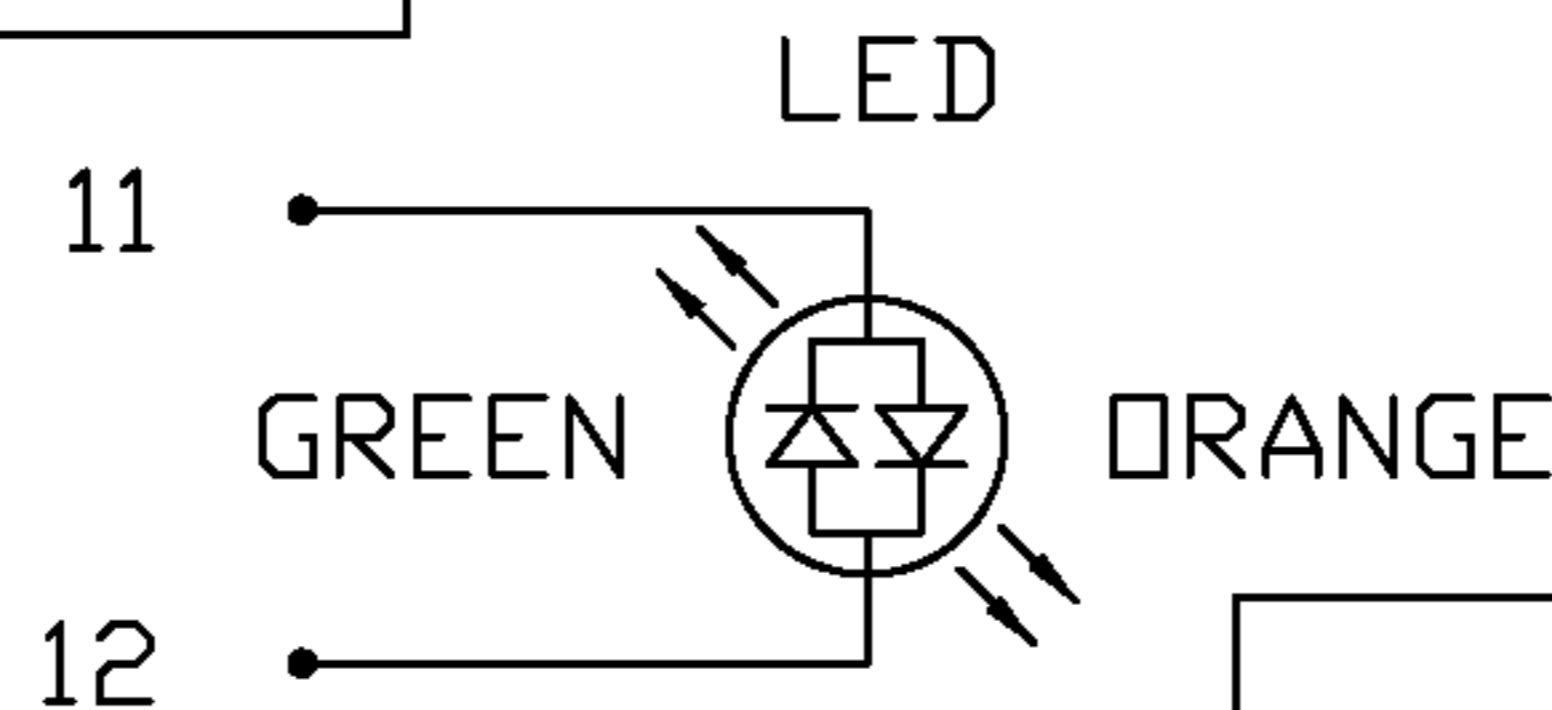
THE INFORMATION CONTAINED HEREIN IS CONSIDERED 'PROPRIETARY' TO BEL FUSE INC. AND SHALL NOT BE COPIED, REPRODUCED OR DISCLOSED WITHOUT THE WRITTEN APPROVAL OF BEL FUSE INC.



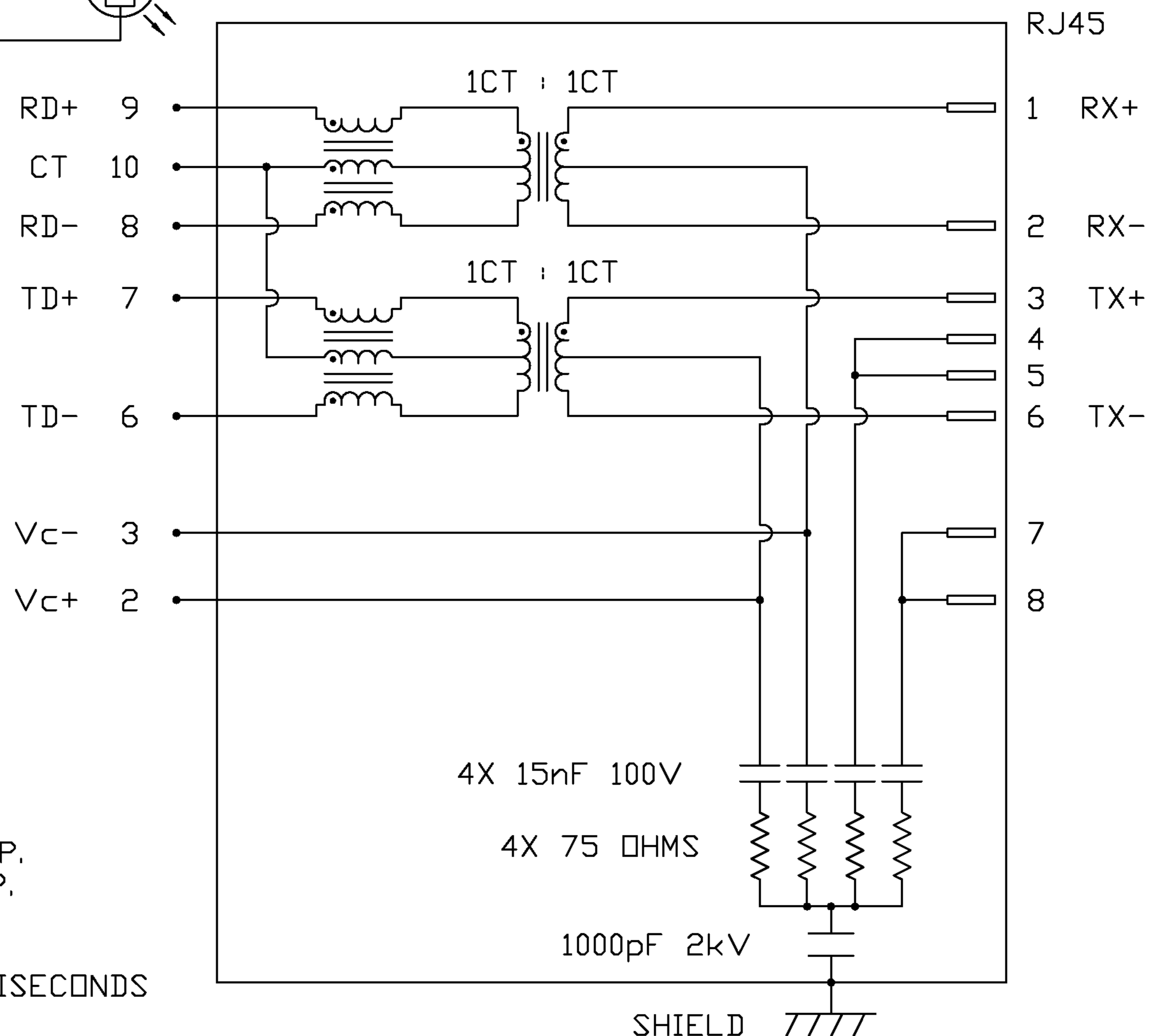
LED POLARITY		
PIN 11	PIN 12	COLOR
-	+	GREEN
+	-	ORANGE

ELECTRICAL CHARACTERISTICS @ 25°C

<p>URNS RATIO □CL @ 0.1V, 100KHz 8mA DC BIAS INSERTION LOSS 100KHz TO 100MHz RETURN LOSS (MIN.) 2MHz-30MHz 60MHz-80MHz LEAKAGE INDUCTANCE PRIMARY W/ SECONDARY SHORTED D.C. RESISTANCE (9-8)=(7-6) (RJ1-RJ2)=(RJ3-RJ6) INTERWINDING CAPACITANCE PER CHANNEL (PRI. to SEC.) CROSSTALK 100KHz TO 100MHz HIPOT (Isolation Voltage): 100% OF PRODUCT TESTED IN PRODUCTION LED VF (FORWARD VOLTAGE) λD (DOMINANT WAVELENGTH) BALANCED DC LINE CURRENT</p>	<p>1CT : 1CT ±2% 350µH MIN. -1.5 dB MAX. -16 dB MIN. -10 dB MIN. 0.25µH MAX. @ 1MHz 1.40 ΩHM MAX. 1.0 ΩHM MAX. 40 pF MAX. -30 dB MIN. 2250 VDC 350 mA MAX. @ 57 VDC CONTINUOUS 500 mA MAX. @ 57 VDC FOR 200 MILLISECONDS</p>	<p>IF=20mA GREEN 2.2V TYP. ORANGE 2.0V TYP. IF=20mA GREEN 565nm TYP. ORANGE 610nm TYP.</p>
--	--	---



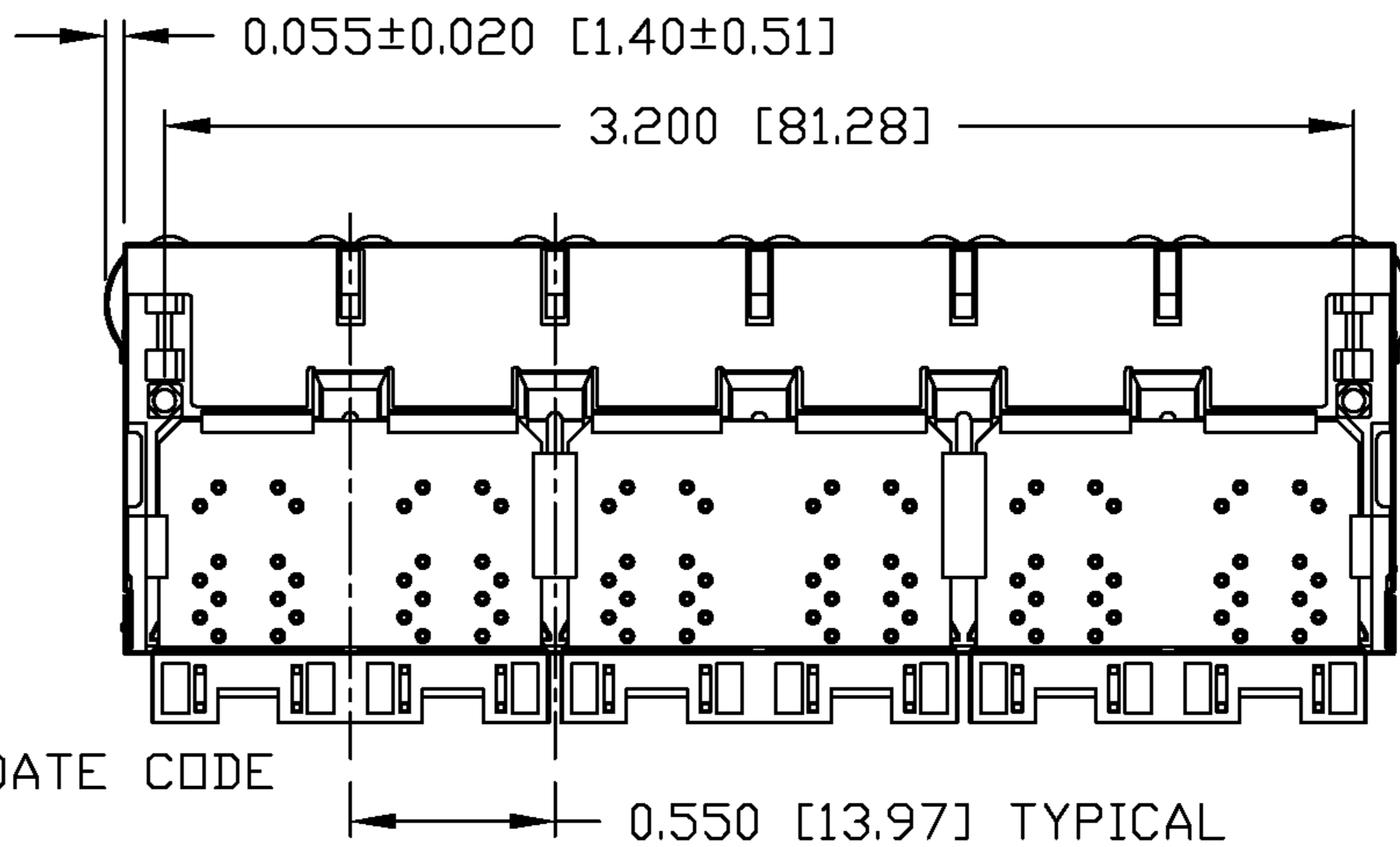
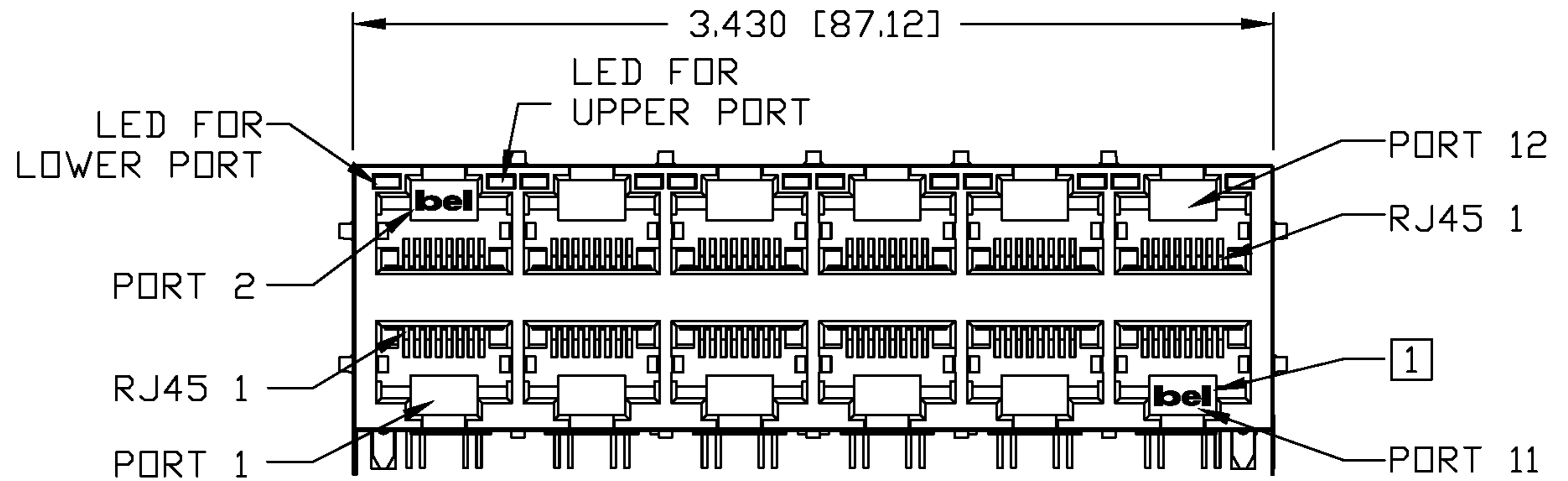
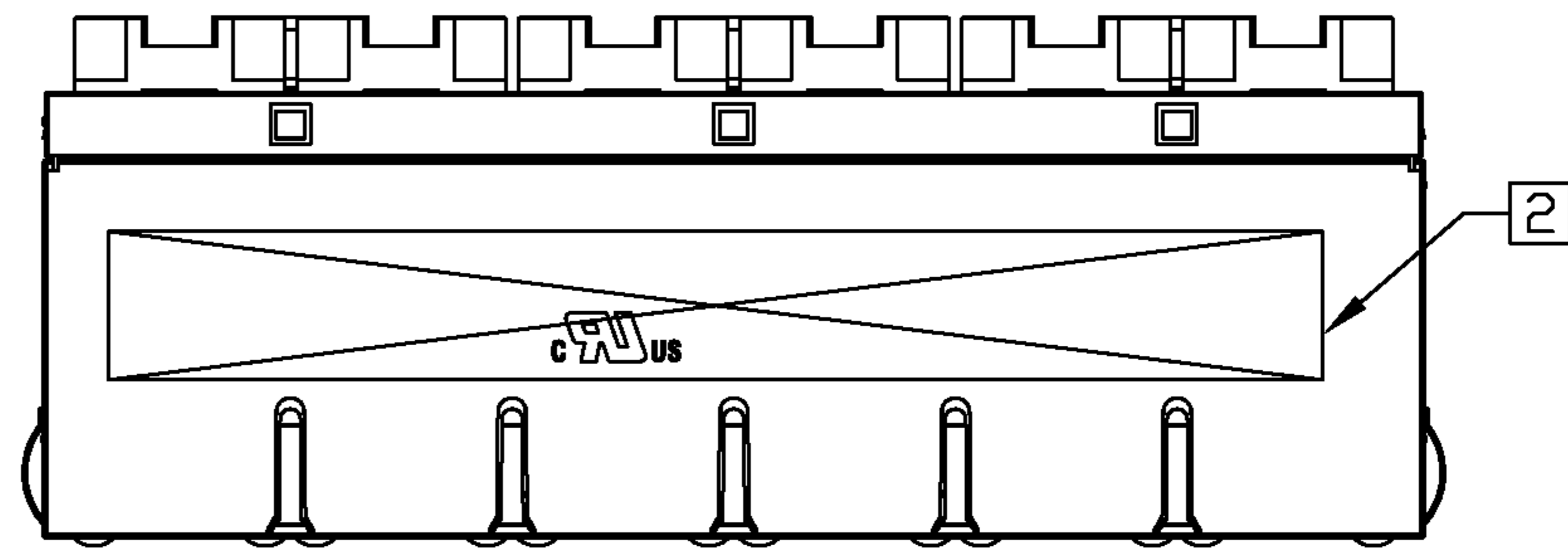
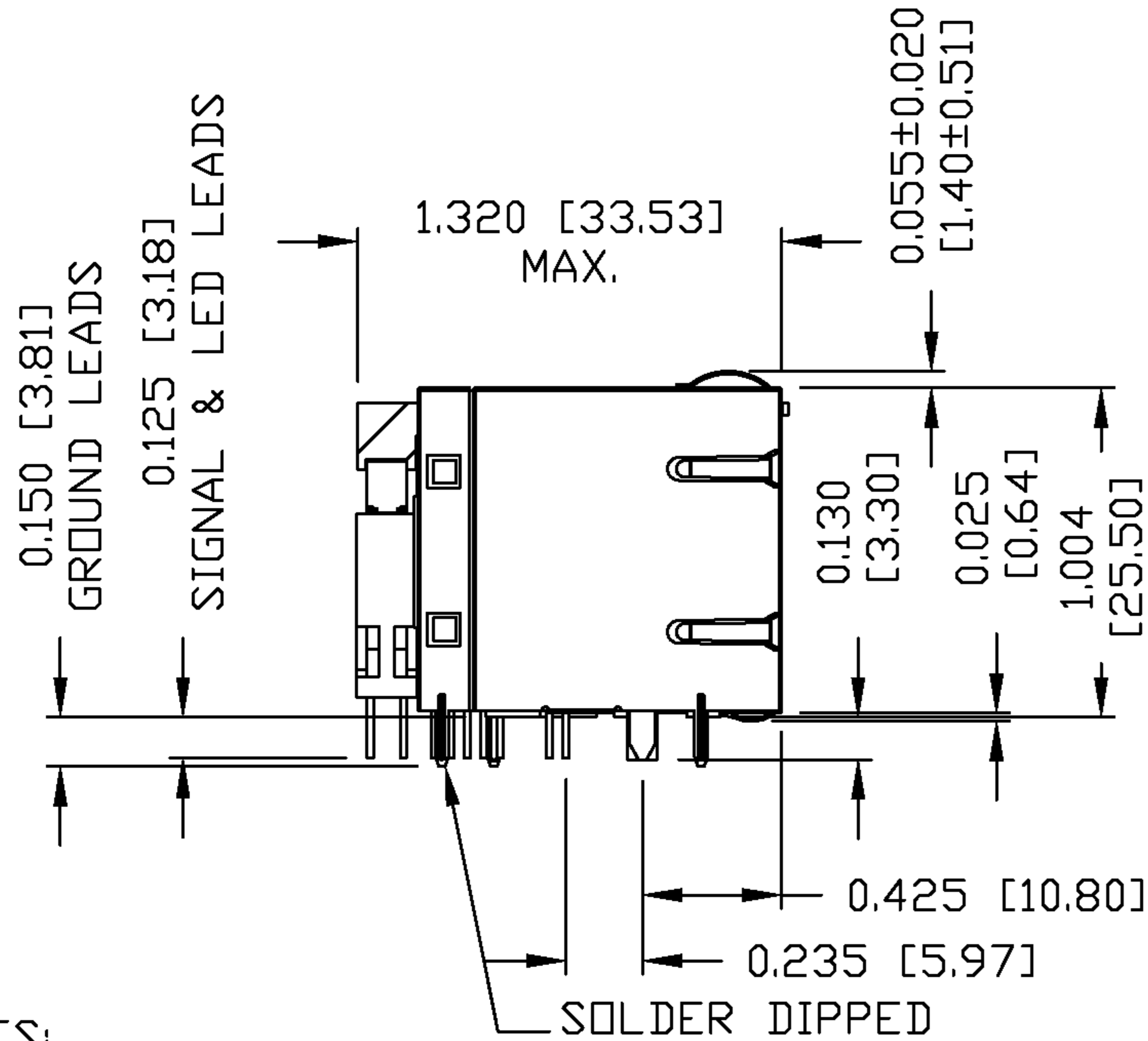
SCHEMATIC



<p>ORIGINATED BY CHUNG</p>	<p>DATE 03-04-06</p>	<p>TITLE 2X6 10/100 MagJack® VOIP/PoE W/LED</p>	<p>PART NO. / DRAWING NO. 08642X6R55-F</p>	<p>STANDARD DIM. TOL. IN INCH</p>	<p>[] METRIC DIM. AS REFERENCE</p>		<p>COMPONENTS FOR A CONNECTED PLANET</p>
<p>DRAWN BY DE</p>	<p>DATE 03-04-06</p>		<p>FILE NAME 0864-2X6R-55-F</p>	<p>.X .XX .XXX</p>	<p>UNIT : INCH [mm] SCALE : N/A</p>	<p>REV. : A SIZE : A4 PAGE : 2</p>	

THE INFORMATION CONTAINED HEREIN IS CONSIDERED "PROPRIETARY" TO BEL FUSE INC. AND SHALL NOT BE COPIED, REPRODUCED OR DISCLOSED WITHOUT THE WRITTEN APPROVAL OF BEL FUSE INC.

RoHS
2002/95/EC



NOTES:

- PLASTIC HOUSING: THERMOPLASTIC PBT
FLAMMABILITY RATING UL 94V-0
- CONTACT PLATING: 50 MICRO-INCH HARD GOLD PLATING
- OUTPUT PINS: TIN-COATED COPPER WIRE, DIA 0.018 INCH.
- METAL SHIELD: NICKEL PLATED ON COPPER ALLOY.
(ALL GROUND LEADS ARE SOLDER DIPPED)

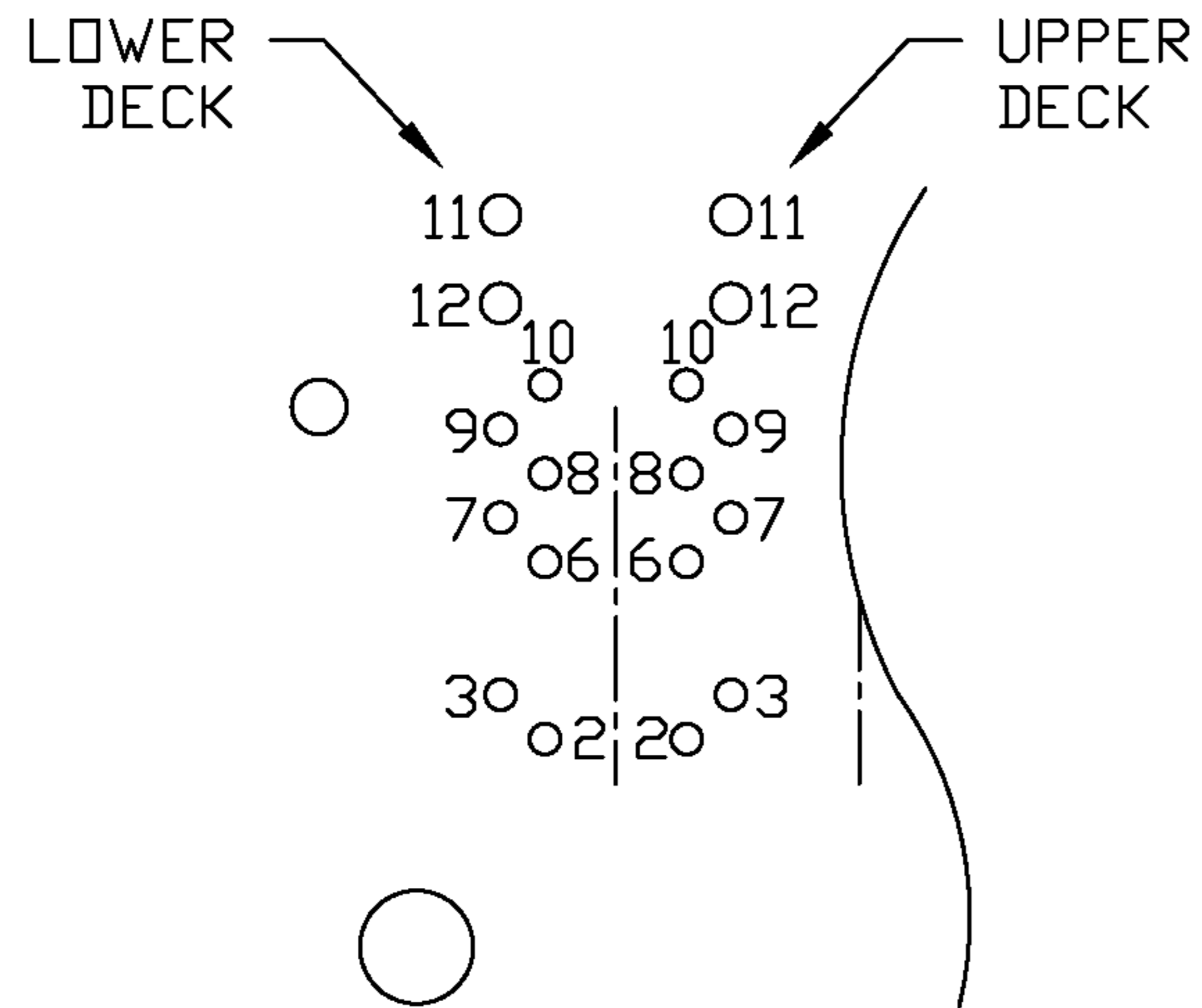
- 1 JACK CAVITY CONFORMS TO FCC RULES AND REGULATIONS, PART 68 SUBPART F.
- 2 MARK PART WITH MFG LOGO MFG, NAME, PART NUMBER, AND DATE CODE

c7us UL RECOGNIZED - FILE #E196366 AND E169987.
RoHS COMPLIANCE, PER EU DIRECTIVE 2002/95/EC.

ORIGINATED BY QIN	DATE 03-04-06	TITLE 2X6 10/100 MagJack® VOIP/POE W/LED	PART NO. / DRAWING NO. 08642X6R55-F	STANDARD DIM.		[] METRIC DIM. AS REFERENCE		 COMPONENTS FOR A CONNECTED PLANET
				TOL. IN INCH		UNIT : INCH [mm]	REV. : A	
DRAWN BY TING	DATE 03-04-06	0864-2X6R-55-F	FILE NAME 08642X6R55-FA.DWG	.X	SCALE : N/A	SIZE : A4		
				.XX			PAGE : 3	
				.XXX	±0.010			

THE INFORMATION CONTAINED HEREIN IS CONSIDERED "PROPRIETARY" TO BEL FUSE INC. AND SHALL NOT BE COPIED, REPRODUCED OR DISCLOSED WITHOUT THE WRITTEN APPROVAL OF BEL FUSE INC.

RoHS
2002/95/EC

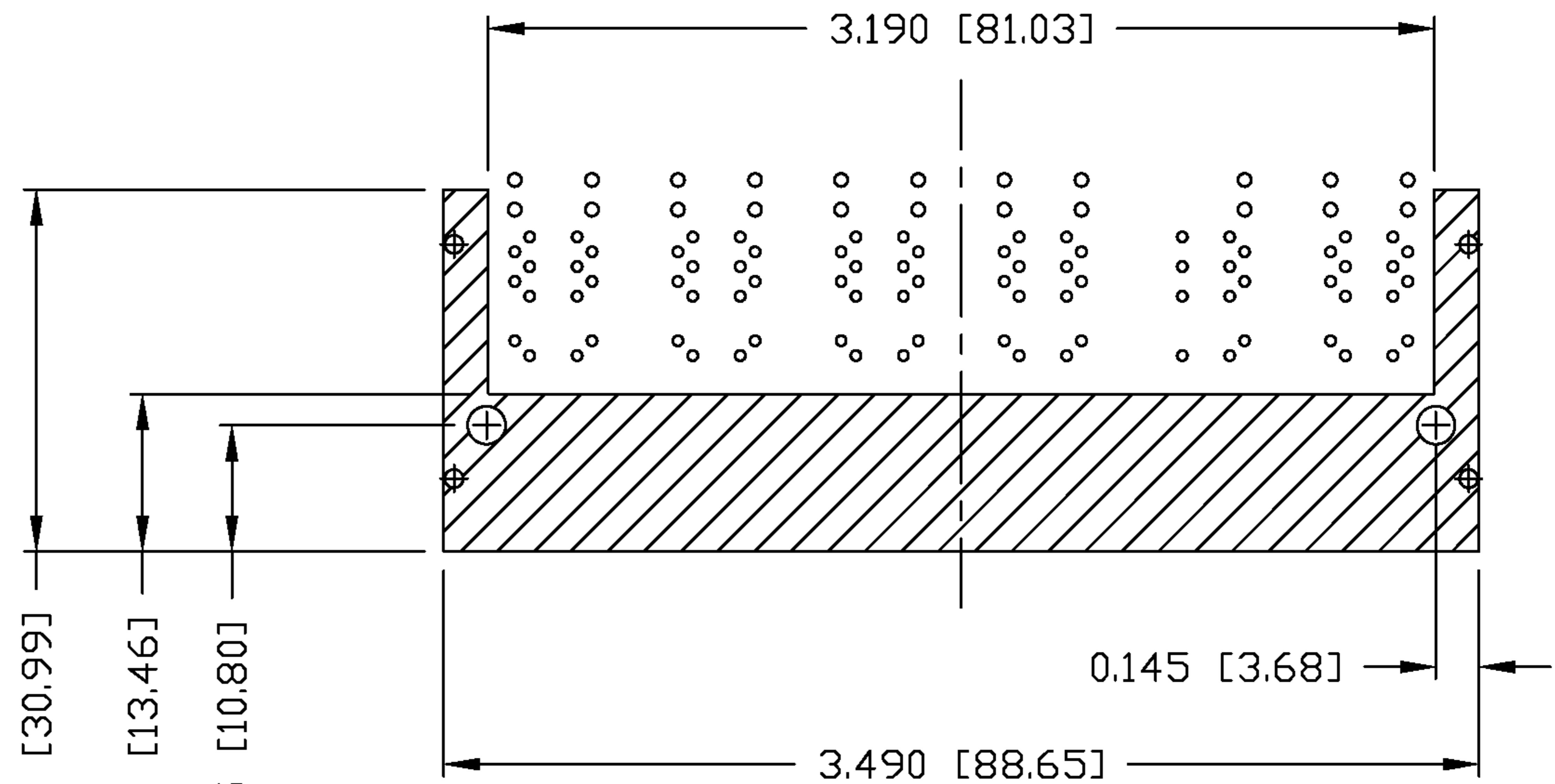
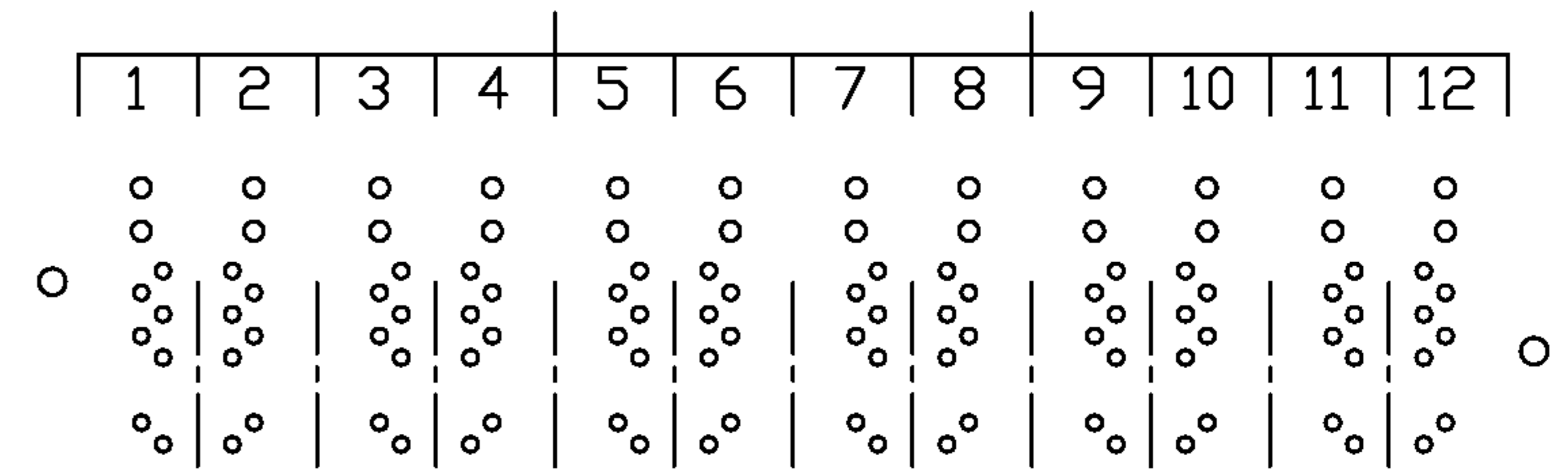


PIN-OUT INFORMATION
(COMPONENT SIDE VIEW)

12	GRN (+)/DRG (-)
11	GRN (-)/DRG (+)
10	COMMON CT
9	RD+
8	RD-
7	TD+
6	TD-
5	NO PIN
4	NO PIN
3	Vc-
2	Vc+
1	NO PIN

UNUSED PIN LOCATIONS MUST BE REMOVED TO ENSURE 2KV ISOLATION.

PORT ASSIGNMENT
(COMPONENT SIDE VIEW)

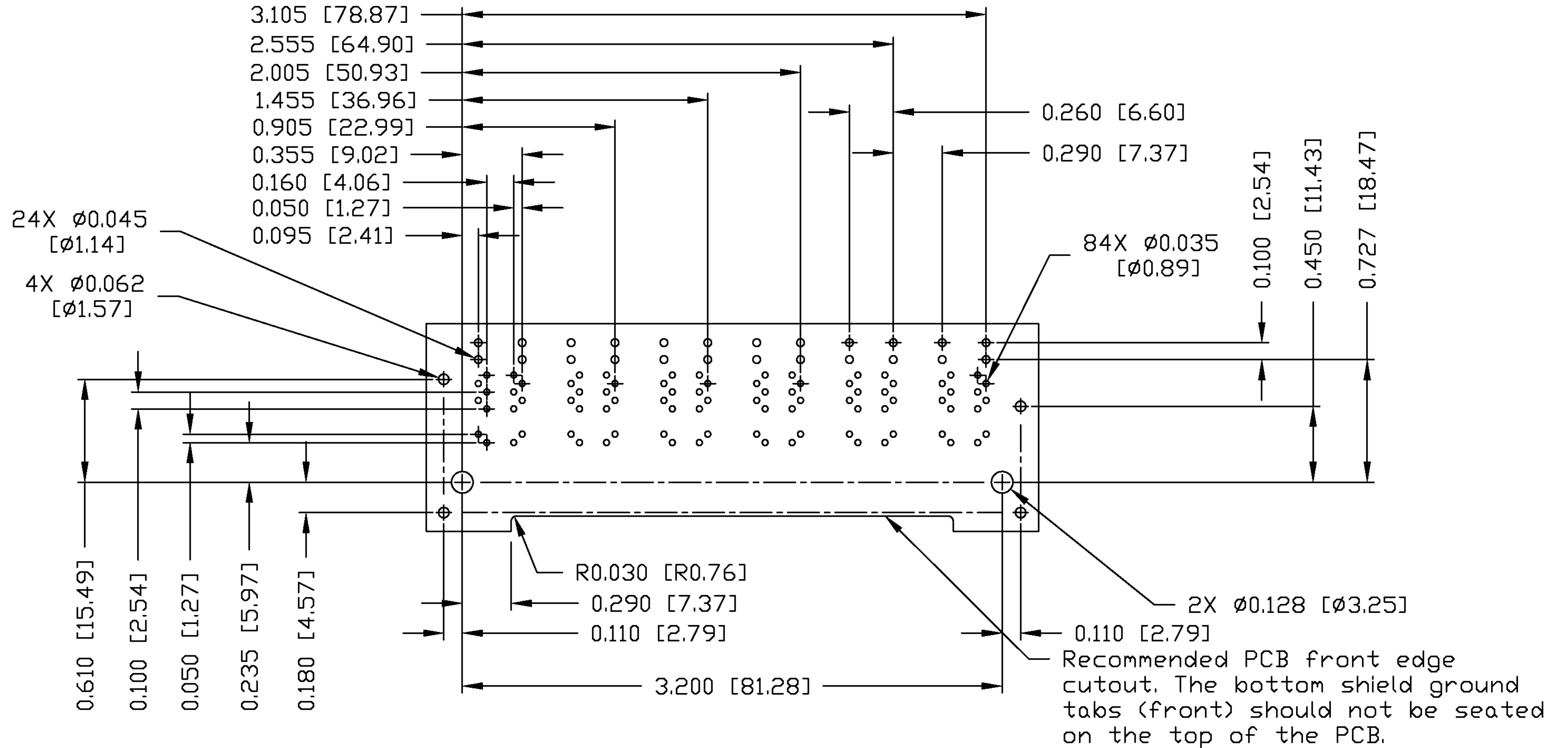


THE SHADED AREA ON THE CUSTOMER BOARD ARE RECOMMENDED TO BE CLEAR OFF ANY VIA HOLE OR COMPONENT PAD.

ORIGINATED BY QIN	DATE 03-04-06	TITLE 2X6 10/100 MagJack® VOIP/PDE W/LED 0864-2X6R-55-F	PART NO. / DRAWING NO. 08642X6R55-F		STANDARD DIM. TOL. IN INCH		[] METRIC DIM. AS REFERENCE		 COMPONENTS FOR A CONNECTED PLANET
	DRAWN BY TING		DATE 03-04-06	FILE NAME 08642X6R55-FA.DWG	.X		UNIT : INCH [mm]	REV. : A	
				.XX		SCALE : N/A	SIZE : A4		
				.XXX	±0.004		PAGE : 4		

THE INFORMATION CONTAINED HEREIN IS CONSIDERED "PROPRIETARY" TO BEL FUSE INC. AND SHALL NOT BE COPIED, REPRODUCED OR DISCLOSED WITHOUT THE WRITTEN APPROVAL OF BEL FUSE INC.

RoHS
2002/95/EC



SUGGESTED FOOTPRINT
(COMPONENT SIDE VIEW)

ORIGINATED BY QIN	DATE 03-04-06	TITLE 2X6 10/100 MagJack® VOIP/POE W/LED	PART NO. / DRAWING NO. 08642X6R55-F	STANDARD DIM. TOL. IN INCH	[] METRIC DIM. AS REFERENCE
DRAWN BY TING	DATE 03-04-06	0864-2X6R-55-F	FILE NAME 08642X6R55-FA.DWG	.X .XX .XXX ±0.004	UNIT : INCH [mm] SCALE : N/A REV. : A SIZE : A4 PAGE : 5

