

# SAFETY ORGANIZATIONS

THIS FILTER HAS BEEN FORMALLY RECOGNIZED, CERTIFIED OR APPROVED BY THE LISTED AGENCY. THEREFORE, ALL TEST/REQUIREMENTS SPECIFIED IN THE LATEST REVISION OF THE FOLLOWING AGENCY STANDARDS HAVE BEEN MET:

UL RECOGNIZED                      UL1283, 544  
 CSA CERTIFIED                    CSA 22.2, NO.0,0.4,8  
 VDE PENDING                        EN133 200

LINE VOLTAGE/CURRENT:            5 AMP, 120VAC  
     4 AMP, 250VAC  
 LINE FREQUENCY: 50-60Hz        4 AMP./40°C, 250 VAC

# OPERATING SPECIFICATIONS

MAXIMUM LEAKAGE CURRENT, EACH: 2µA AT 120V 60Hz  
 LINE TO GROUND:                    5µA AT 250V 50Hz

OPERATING AMBIENT TEMP. RANGE: -10°C TO +40°C @ RATED CURRENT, I<sub>r</sub>

IN AN AMBIENT, T<sub>0</sub>, HIGHER THAN 40°C, THE MAXIMUM OPERATING CURRENT, I<sub>0</sub>, IS AS FOLLOWS:

$$I_0 = I_r \sqrt{\frac{85 - T_0}{45}}$$

# RELIABILITY SPECIFICATIONS:

STORAGE TEMPERATURE:        -40°C TO +85°C  
 HUMIDITY:                            21 DAYS @ 40°C 95% RH.  
 CURRENT OVERLOAD TEST: 6 TIMES RATED CURRENT FOR 8 SECONDS.

# TEST SPECIFICATIONS:

INDUCTANCE:                         .93mH NOMINAL  
 CAPACITANCE: (MEASURED @ 1KHz, 0.250VAC MAX., 25°C±1°C.  
 LINE TO LINE:                        .009µF ±20%  
 DISCHARGE RESISTOR:            1.5 Ω

LINE/GROUND AND LINE/LINE: 6000M (MIN.)  
 INSULATION RESISTANCE:        AT 100VDC  
 (W/O DISCHARGE RESISTOR)    20°C AND 50% RH.

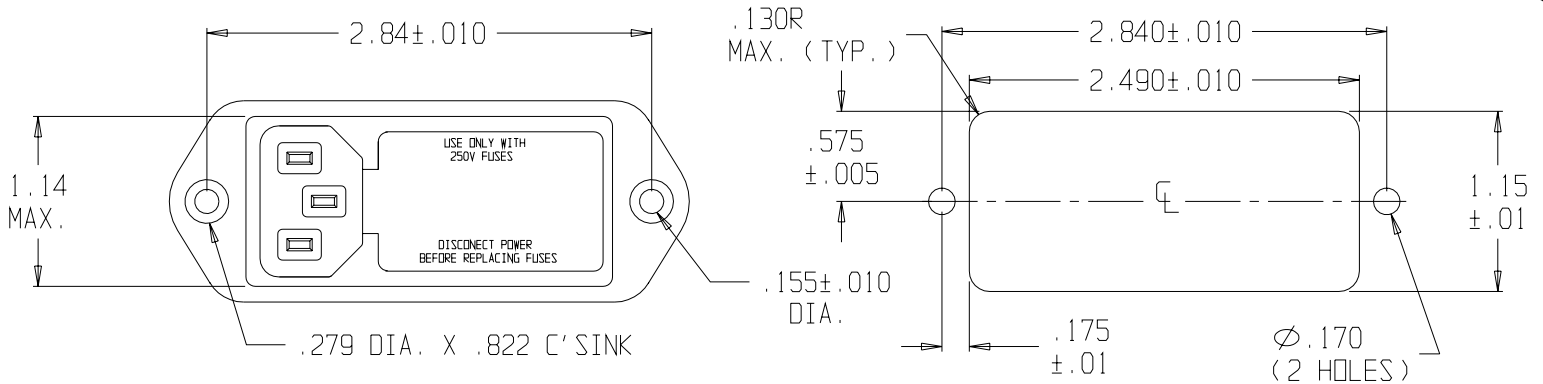
# RECOMMENDED RECEIVING INSPECTION HIPOT:

LINE TO GROUND: 1500 VAC FOR 1 MINUTE  
 LINE TO LINE: 1450 VDC FOR 1 MINUTE

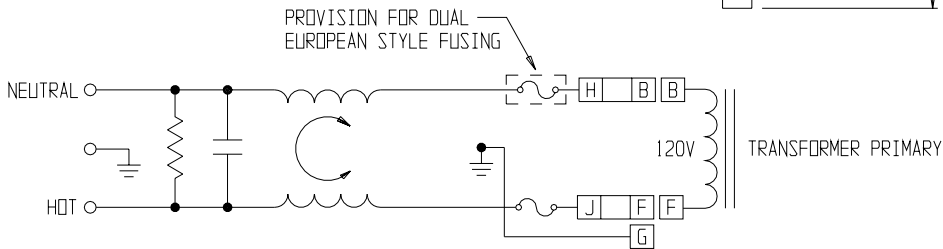
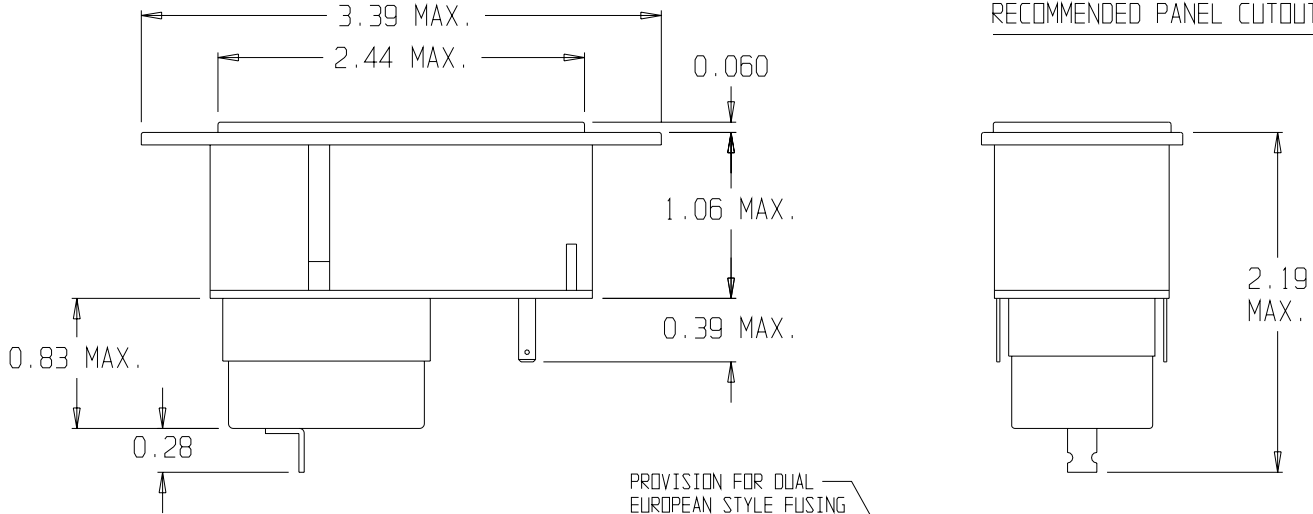
# FILTER APPROVAL:

THE BEST WAY TO SELECT AND QUALIFY A FILTER IS FOR YOUR ENGINEERING TO TEST THE UNIT IN YOUR EQUIPMENT.

CATALOG #5EHM1			
EC#	APPR.	DOMMMYY	REV.
✓	✓	✓	6



# RECOMMENDED PANEL CUTOUT



# 50Ω - 50Ω (MINIMUM) INSERTION LOSS

FREQUENCY MHz	.15	.50	1.0	2.0	5.0	10	20	30				
COMMON dB	14	18	19	21	22	22	19	17				
DIFF. dB												

THIRD ANGLE PROJECTION

UNLESS OTHERWISE SPECIFIED, TOLERANCE TO BE ±.025 MATERIAL & FINISH: AS SUPPLIED

This document is proprietary to CORCOM INC. and is not to be reproduced nor used for manufacturing purposes except on CORCOM'S prior written consent.

**tyco**/Electronics **corcom**  
 844 E. ROCKLAND RD. LIBERTYVILLE IL 60048

# POWER LINE FILTER

CAD FILE: C:\GCO\5EHM106	TYCO # 0-1609130-5
SCALE: NTS	DATE: 7/9/96
DRW. BY: JF	ORIG: KAW
CATALOG NO. <b>5EHM1</b>	REV. <b>06</b>