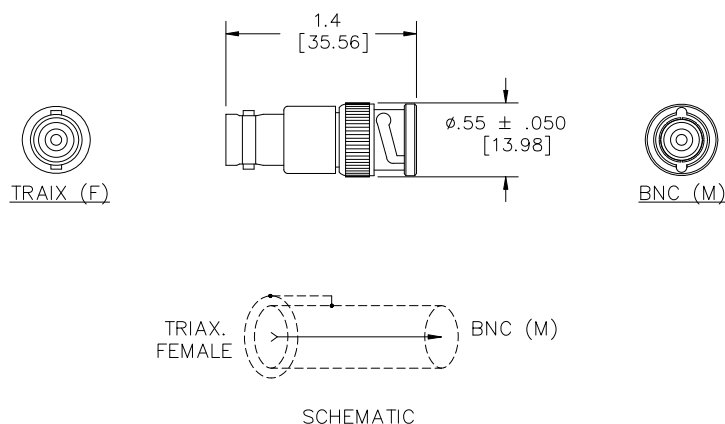


**Model 5298**  
**Triaxial 2 Lug (F) To BNC (M) Adapter**

**Model 5298**  
**Triaxial 2 Lug (F) To BNC (M) Adapter**



## Features

- Converts instruments with BNC inputs to triaxial, 2 lug for better shield performance
- Triaxial center and intermediate contacts are gold plated, Beryllium Copper for long insertion cycle life and low contact resistance
- Adapter outer shell has tarnish resistant plating

## Materials

Outer Shell: Nickel plated Brass

Contacts (Triaxial):

Center: Gold plated Beryllium Copper

Intermediate: Gold plated Beryllium Copper

Outer Contact: Tarnish resistant brass

BNC: Nickel plated brass

Marking: "POMONA ELECT. 5298"

## Ratings

Operating Voltage:

Shield/Earth: For CE compliance and personal safety, do not hold in hand when voltages exceed 33 VRMS/70 VDC

Maximum voltage for hands free use: 500 VDC

Frequency Range: DC to 500 MHz.

## Ordering Information

Model: 5298

2 LUG BNC (M)/TRIAxIAL (F)

**USA:** Sales: 800-490-2361  
Technical Support: [technicalsupport@pomonatest.com](mailto:technicalsupport@pomonatest.com)  
Fax: 425-446-5844

**Europe:** 31-(0) 40 2675 150 **International:** 425-446-5500

**Where to Buy:** [www.pomonaelectronics.com](http://www.pomonaelectronics.com)

All dimensions are in inches. Tolerances (except noted): .xx =  $\pm 0.02$ " (.51 mm), .xxx =  $\pm 0.005$ " (.127 mm). All specifications are to the latest revisions. Specifications are subject to change without notice. Registered trademarks are the property of their respective companies.