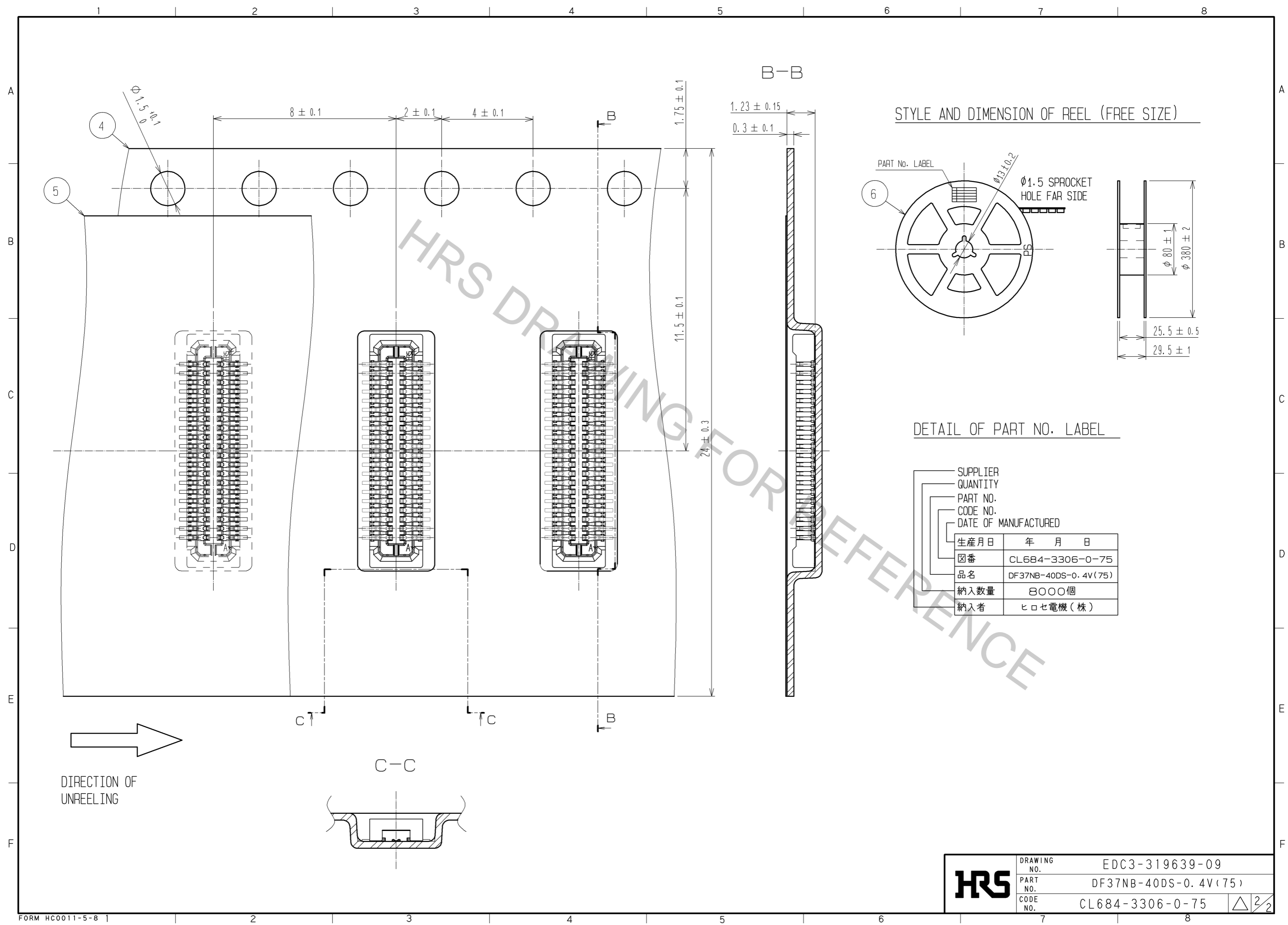


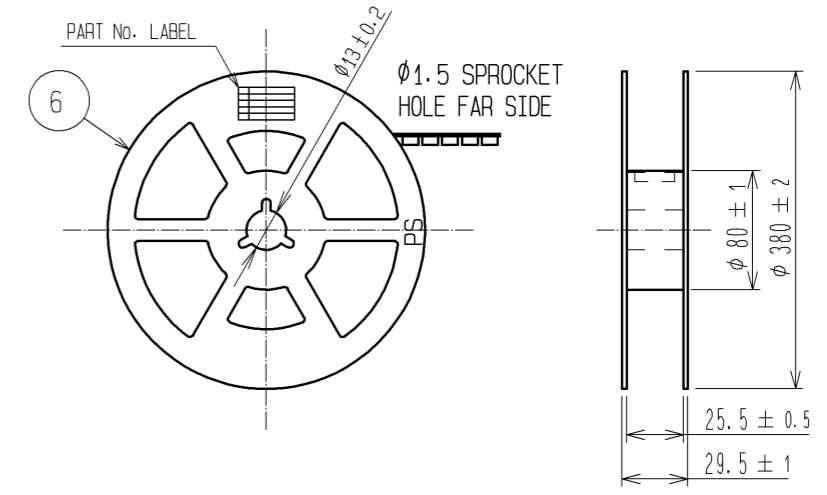
- NOTE 1. ALL LEADS CO-PLANARITY SHALL BE 0.08 MAX.
 2. PER REEL : 8000 CONNECTORS.
 3. AT THE BEGINNING OF THE REEL, 100 mm AT MIN SHALL BE EMPTY POCKETS.
 AT THE END OF THE REEL, 160 mm AT MIN SHALL BE EMPTY.
4 CONTACT PLATING SPECIFICATIONS.
 CONTACT AREA : GOLD 0.1#m MIN.
 SMT LEAD : GOLD 0.05#m MIN.
 UNDERPLATING : NICKEL 1#m MIN.
 (SURFACE : SEALING)
5 METAL HOLD DOWN PLATING SPECIFICATIONS.
 MOUNTING AREA: GOLD 0.05#m MIN.
 UNDERPLATING : NICKEL 1#m MIN.
 6. PEEL FORCE OF COVER TAPE REFERS TO JIS C 0806.

3	PHOSPHOR BRONZE	5	6	PS	PLASTIC REEL (BLACK)
2	PHOSPHOR BRONZE	4	5	POLYESTER	CLEAR(COVER TAPE)
1	LCP	UL94V-0, BLACK	4	PS	CLEAR(EMBOSSD CARRIER TAPE)
NO.	MATERIAL	FINISH, REMARKS	NO.	MATERIAL	FINISH, REMARKS
UNITS mm		SCALE FREE	COUNT 	DESCRIPTION OF REVISIONS	
HRS HIROSE ELECTRIC CO., LTD.		APPROVED : KH. IKEDA	09.02.02	DESIGNED	CHECKED
		CHECED : TS. MIYAZAKI	09.02.02	DRAWING NO. EDC3-319639-09	
		DESIGNED : RT. SHIMIZU	09.01.30	PART NO. DF37NB-40DS-0.4V(75)	
		DRAWN : KR. AJITO	09.01.26	CODE NO. CL684-3306-0-75	

Apr.1.2017 Copyright 2017 HIROSE ELECTRIC CO., LTD. All Rights Reserved.



STYLE AND DIMENSION OF REEL (FREE SIZE)



DETAIL OF PART NO. LABEL

SUPPLIER	HIROSE ELECTRIC CO., LTD.
QUANTITY	8000個
PART NO.	DF37NB-40DS-0.4V(75)
CODE NO.	CL684-3306-0-75
DATE OF MANUFACTURED	生産月日 年 月 日
図番	CL684-3306-0-75
品名	DF37NB-40DS-0.4V(75)
納入数量	8000個
納入者	ヒロセ電機(株)

HRS	DRAWING NO.	EDC3-319639-09
	PART NO.	DF37NB-40DS-0.4V(75)
	CODE NO.	CL684-3306-0-75
		△ 2/2