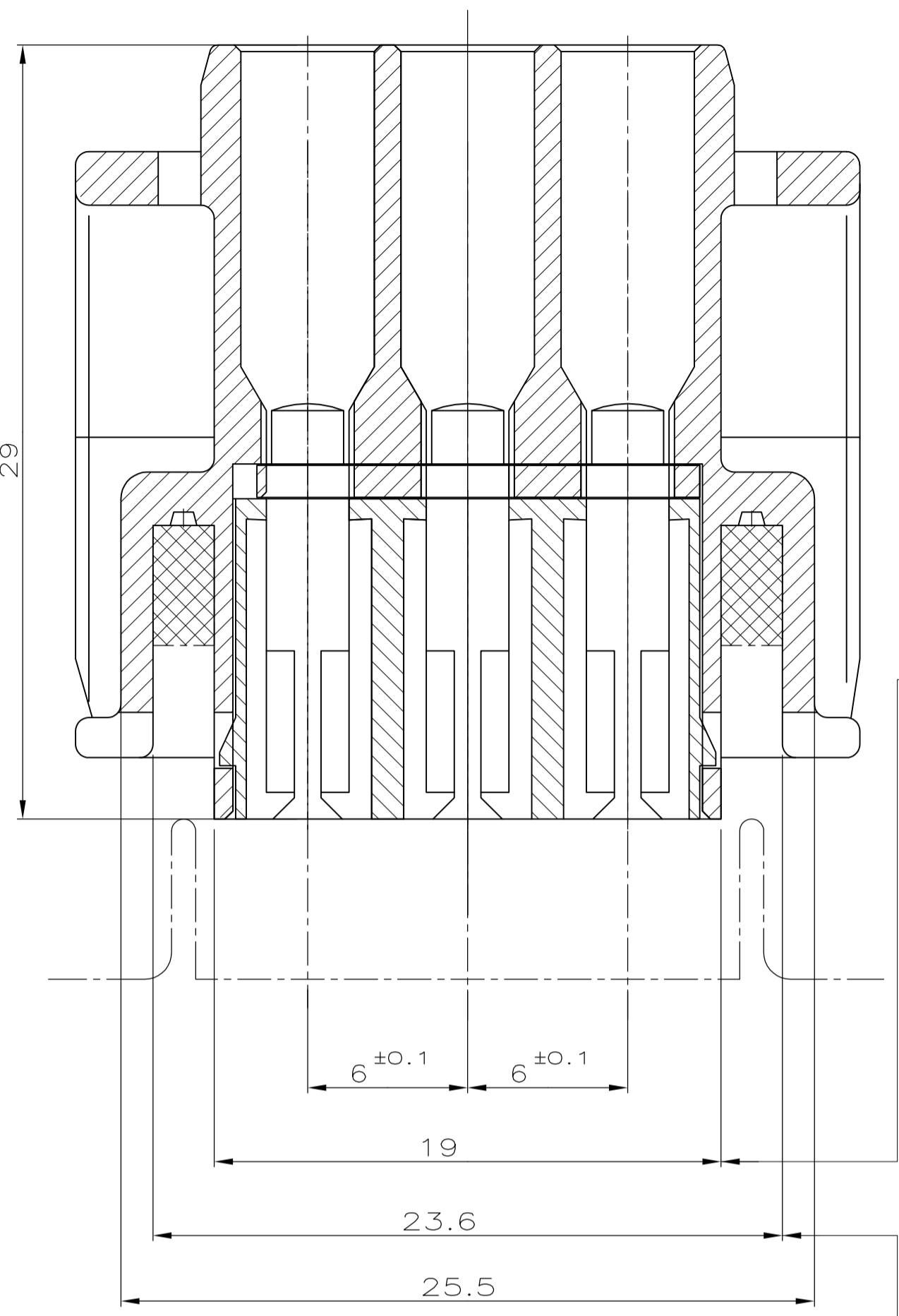
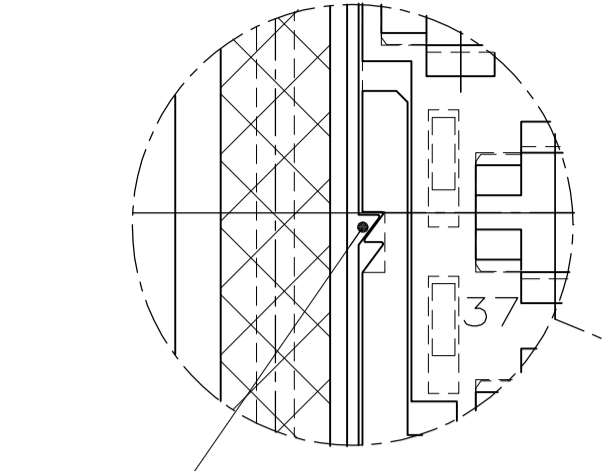


VORRASTSTELLUNG
PRE-ASSEMBLY

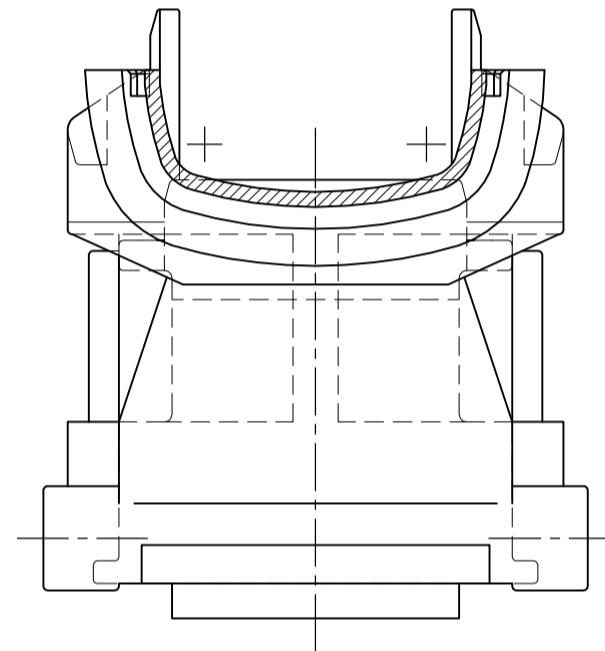
Schnitt SECTION A-B



Einfall bis 18.45 zulässig
PERMISSIBLE COLLAPSE TO 18.45

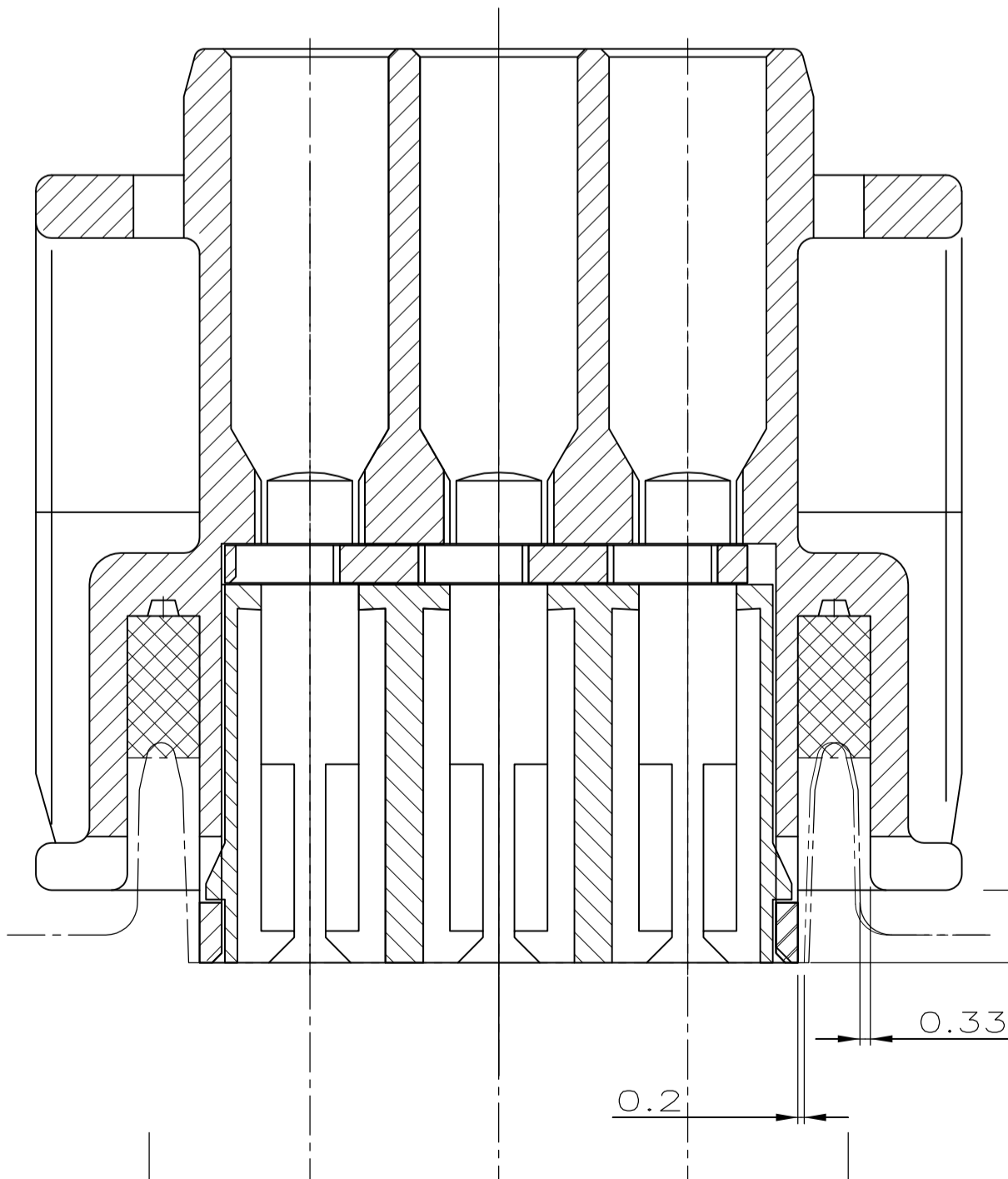


VERRASTUNG BEI VORMONTAGE
LOCKING AFTER PRE ASSEMBLY

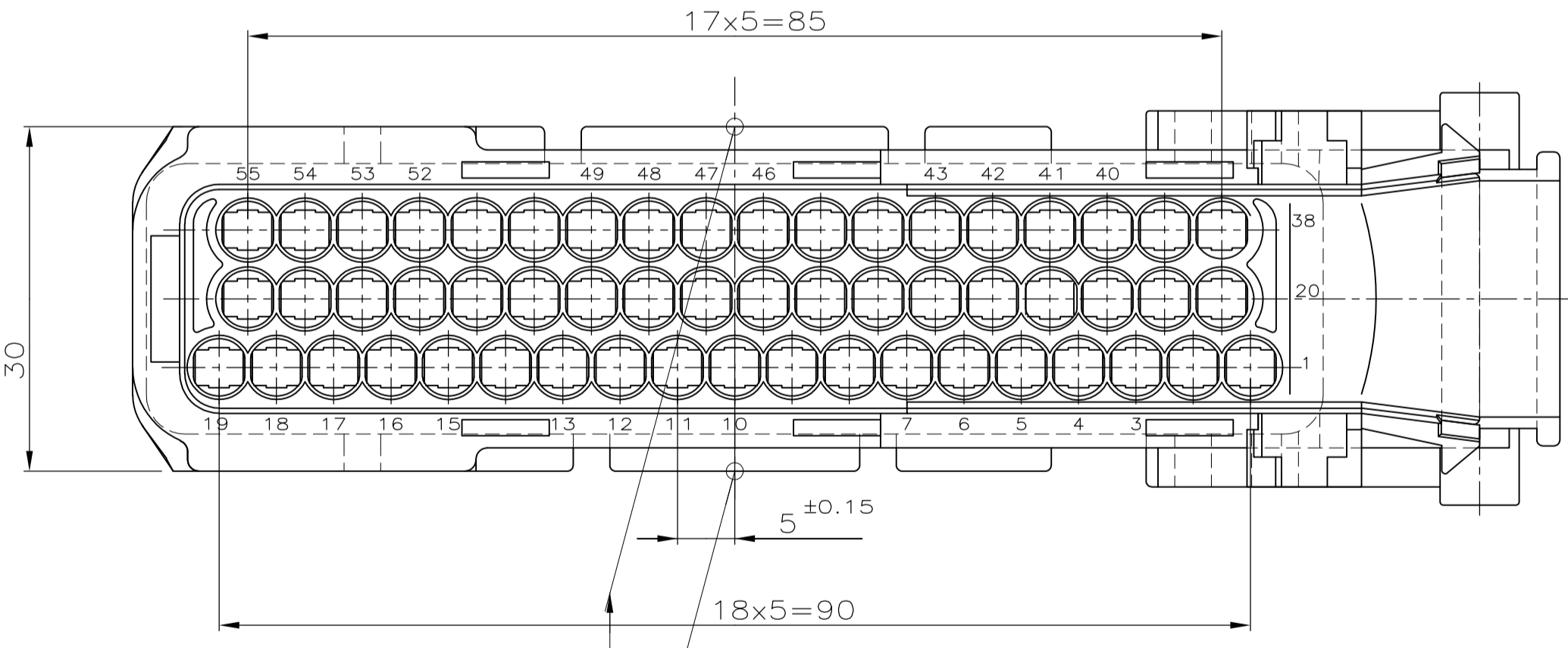
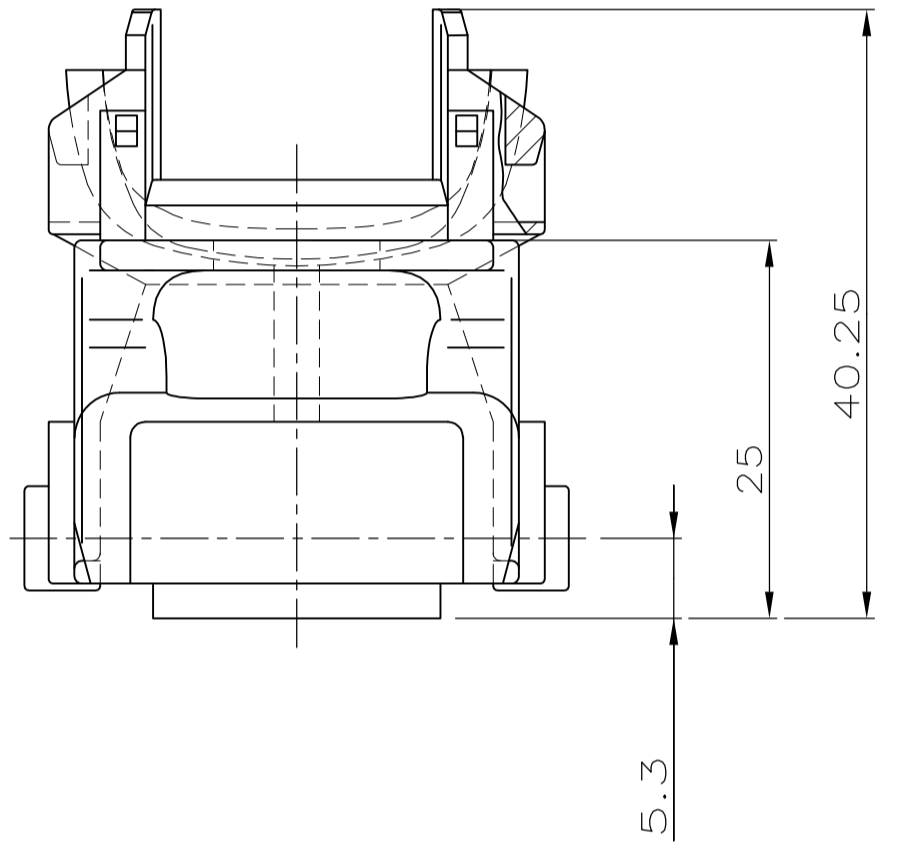
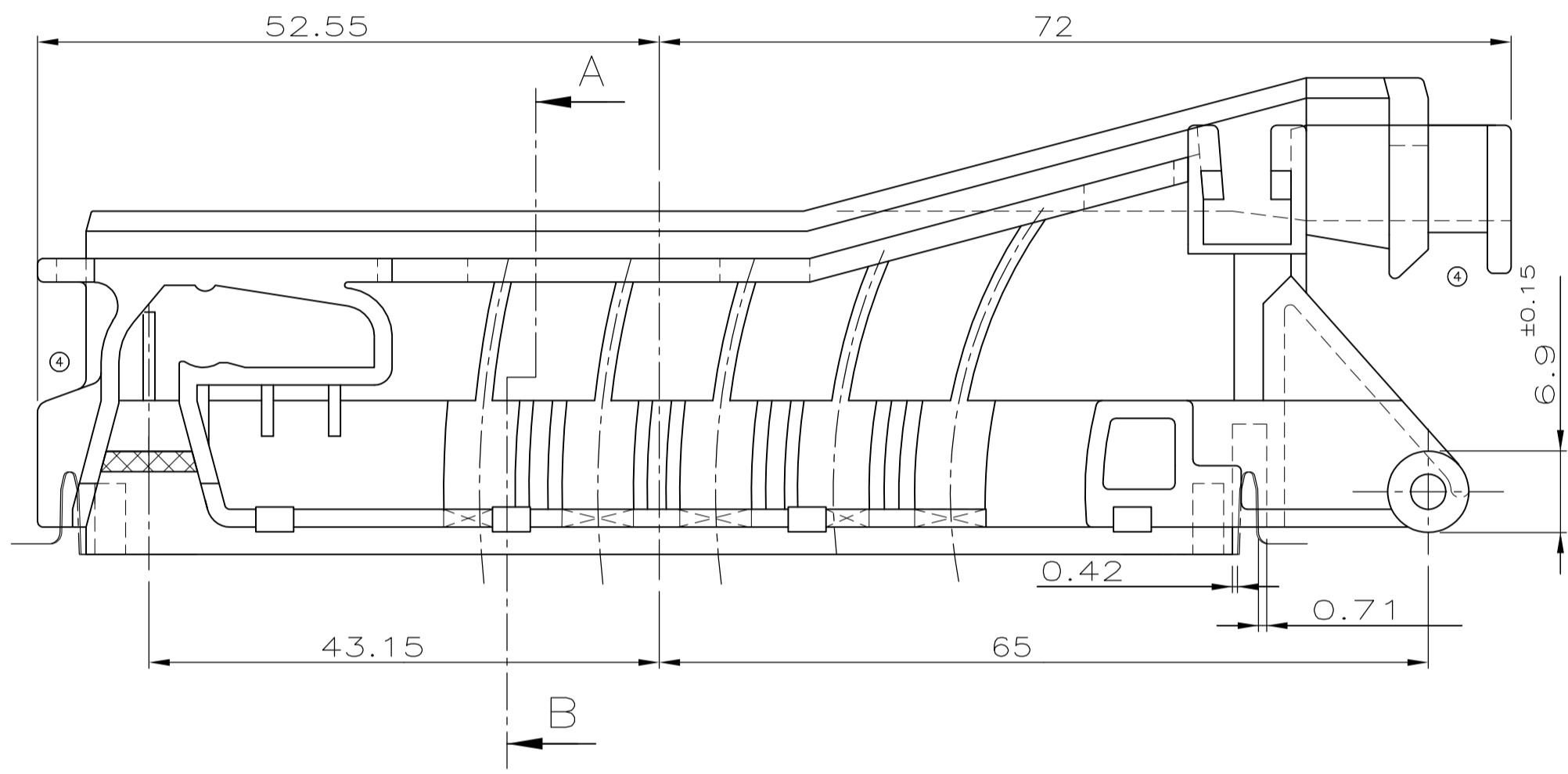
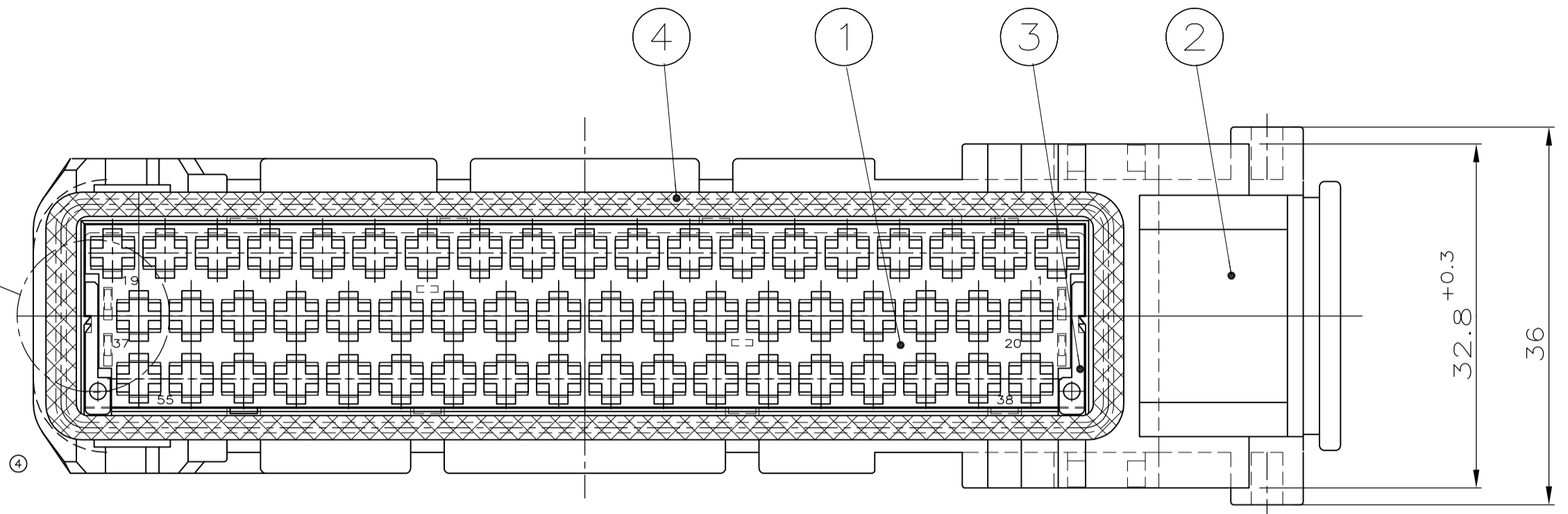
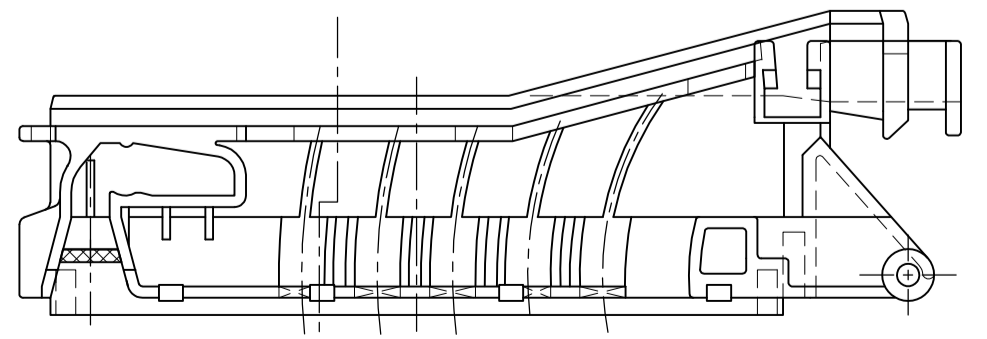


Einfall bis 22.75 zulässig
PERMISSIBLE COLLAPSE TO 22.75

ENDRASTSTELLUNG
END-ASSEMBLY



M 1:1
SCALE 1:1
Einfall bis 29.0 zulässig
PERMISSIBLE COLLAPSE TO 29.0



Kontakt PN CONTACT PN	Drahtquersch. WIRE RANGE	Material MATERIAL	Einzeldichtung SINGLE-WIRE-SEAL	Isolations ϕ INSULATION RANGE	Farbe COLOUR
929937-1	> 1 - 2.5	CuFe2	828905-1	2.1 - 2.9	weiß WHITE
929939-1	0.5 - 1	CuFe2	828904-1	1.2 - 2.0	blau BLUE
929941-1	0.2 - 0.5	CuFe2			

ACCORDING TO ATE DWG.
3-38100-46 Rev. F05-82544
Max. 22.55 Min. 21.85

THIS DRAWING IS A CONTROLLED DOCUMENT.

DIMENSIONS: mm	TOLERANCES UNLESS OTHERWISE SPECIFIED:	DIN W. PFEFFER 20 JUN 1988	TE Connectivity
0. PLC ± 1. PLC ± 0.3 MM 2. PLC ± 3. PLC ± 4. PLC ± 1.0° ANGLES ± 1.0°		GW: H. BOUDA DATE: 21 JUN 1988 NAME: 55POS J-P-TIMER CONNECTOR SEALED VERSION ASS'Y	
MATERIAL: -	FINISH: -	WEIGHT: -	RESTRICTED TO: -

CUSTOMER DRAWING SCALE 2:1/5:1 SHEET 1 OF 1 REV 5