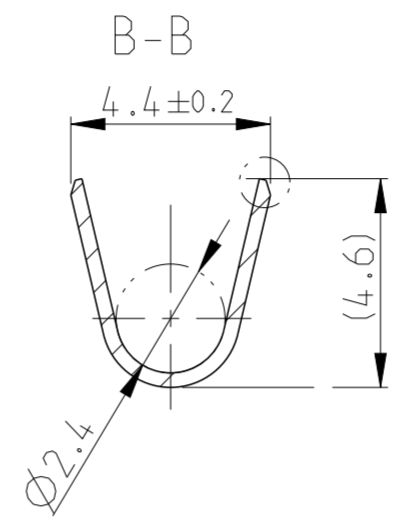
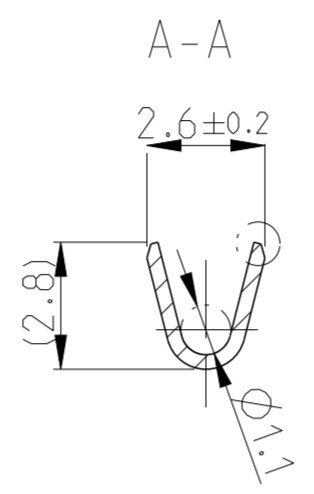
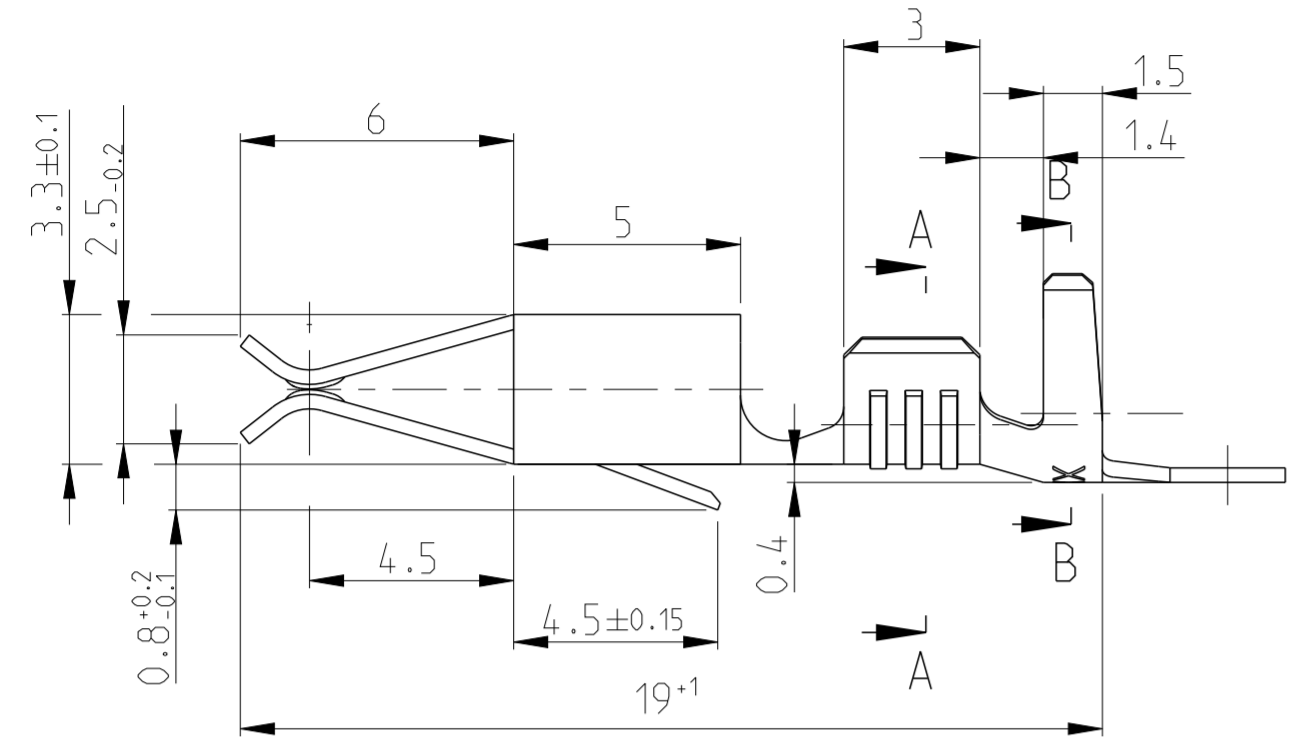
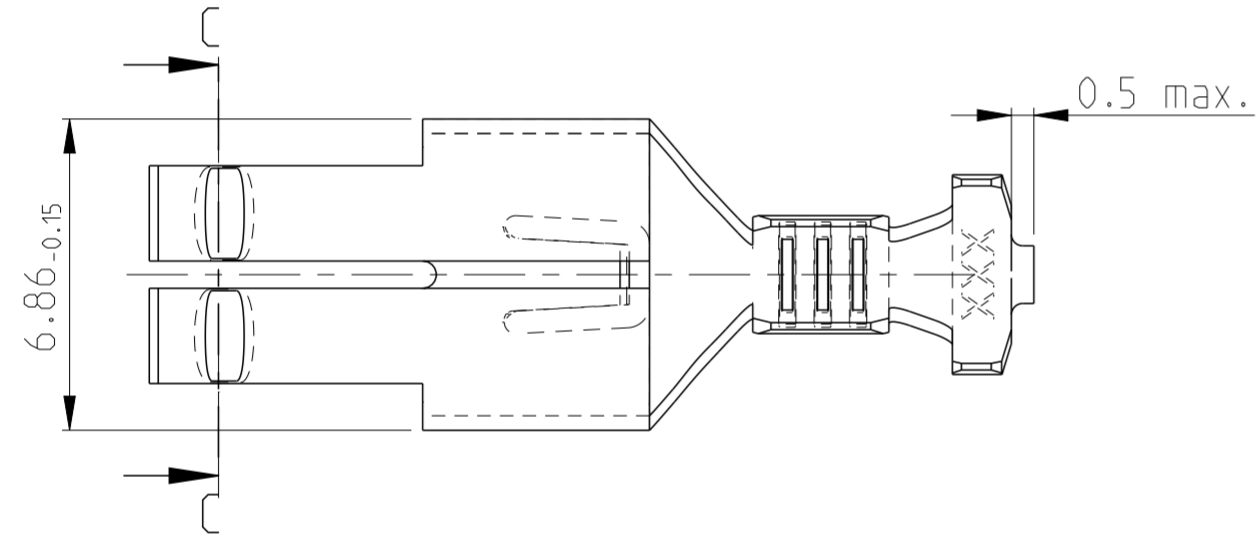


THIS DRAWING IS UNPUBLISHED. RELEASED FOR PUBLICATION 20
 © COPYRIGHT 20 BY - ALL RIGHTS RESERVED.

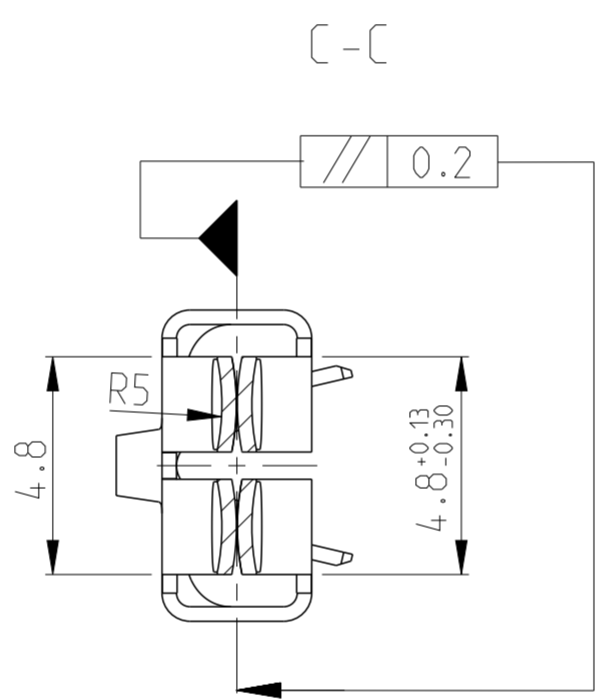
REVISIONS					
P	LTR	DESCRIPTION	DATE	DWN	APVD
	D2	ECR-14-007191	08JUL2014	SK	JS



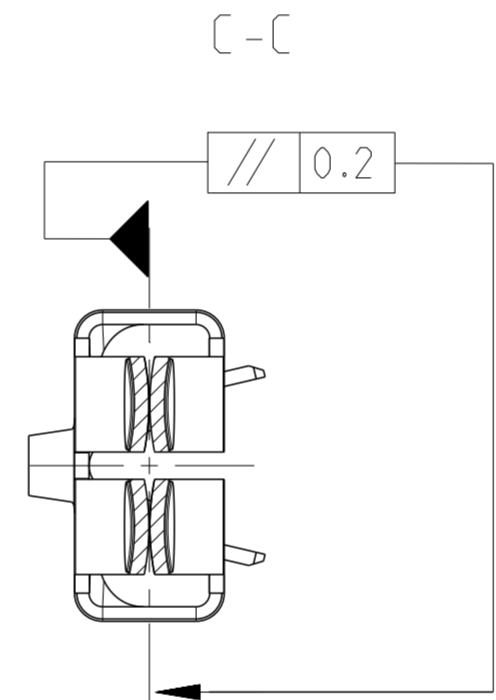
Note
 △ OBSOLETE



Version 1

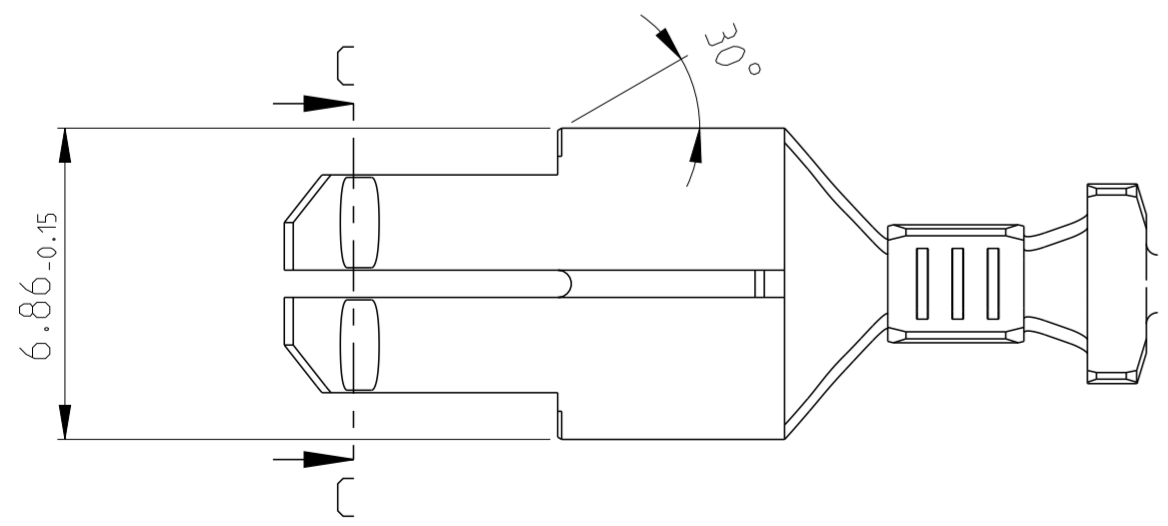


Version 1



Version 2

		Leitungsquerschnitt in mm ²									
		Cross-section in mm ²									
Single connection	Einzelanschl.	0.5	0.75	1.0	1.5	2.0	2.5	3.0	4.0	6.0	
0.5	X	X	-	-	-	-	-	-	-	-	
0.75	X	-	-	-	-	-	-	-	-	-	
1.0	X	-	-	-	-	-	-	-	-	-	
1.5	-	-	-	-	-	-	-	-	-	-	
2	-	-	-	-	-	-	-	-	-	-	
2.5	-	-	-	-	-	-	-	-	-	-	
3.0	-	-	-	-	-	-	-	-	-	-	
4.0	-	-	-	-	-	-	-	-	-	-	
6.0	-	-	-	-	-	-	-	-	-	-	



Version 2

Drahtroassenbereich: 0.5-1.0mm²
 WIRE RANGE:

1-927866-4	1-927865-4	927866-4	927865-4	A	Brass	Plain\Blank
1-927866-3	1-927865-3	△ 927866-3	△ 927865-3	D	CuFe2	vorverzinkt
1-927866-2	1-927865-2	△ 927866-2	927865-2	D	CuSn4	vorverzinkt
1-927866-1	1-927865-1	927866-1	927865-1	D	CuZn30	vorverzinkt
LOOSE PIECE VERSION 2	PART NUMBER VERSION 2	LOOSE PIECE VERSION 1	PART NUMBER VERSION 1	REV.	MATERIAL	Surface/Finish

THIS DRAWING IS A CONTROLLED DOCUMENT.		DWN Hassel.S.	07AUG2003	STE TE Connectivity
DIMENSIONS: mm		CHK Brunner.M.	07AUG2003	
TOLERANCES UNLESS OTHERWISE SPECIFIED:		APVD Bleicher.M.	12AUG2003	
0 PLC ±0.5 1 PLC ±0.5 2 PLC ±0.5 3 PLC ±0.5 4 PLC ±0.0001 ANGLES ±°		PRODUCT SPEC 108-18054	NAME STANDARD TIMER CONTACT Standard-Timer Kontakt	
MATERIAL TBD	FINISH -	APPLIC. SPEC 114-18080	WEIGHT -	SIZE A2
Customer Drawing		SCALE 6:1		SHEET 1 OF 1
		REV 02		