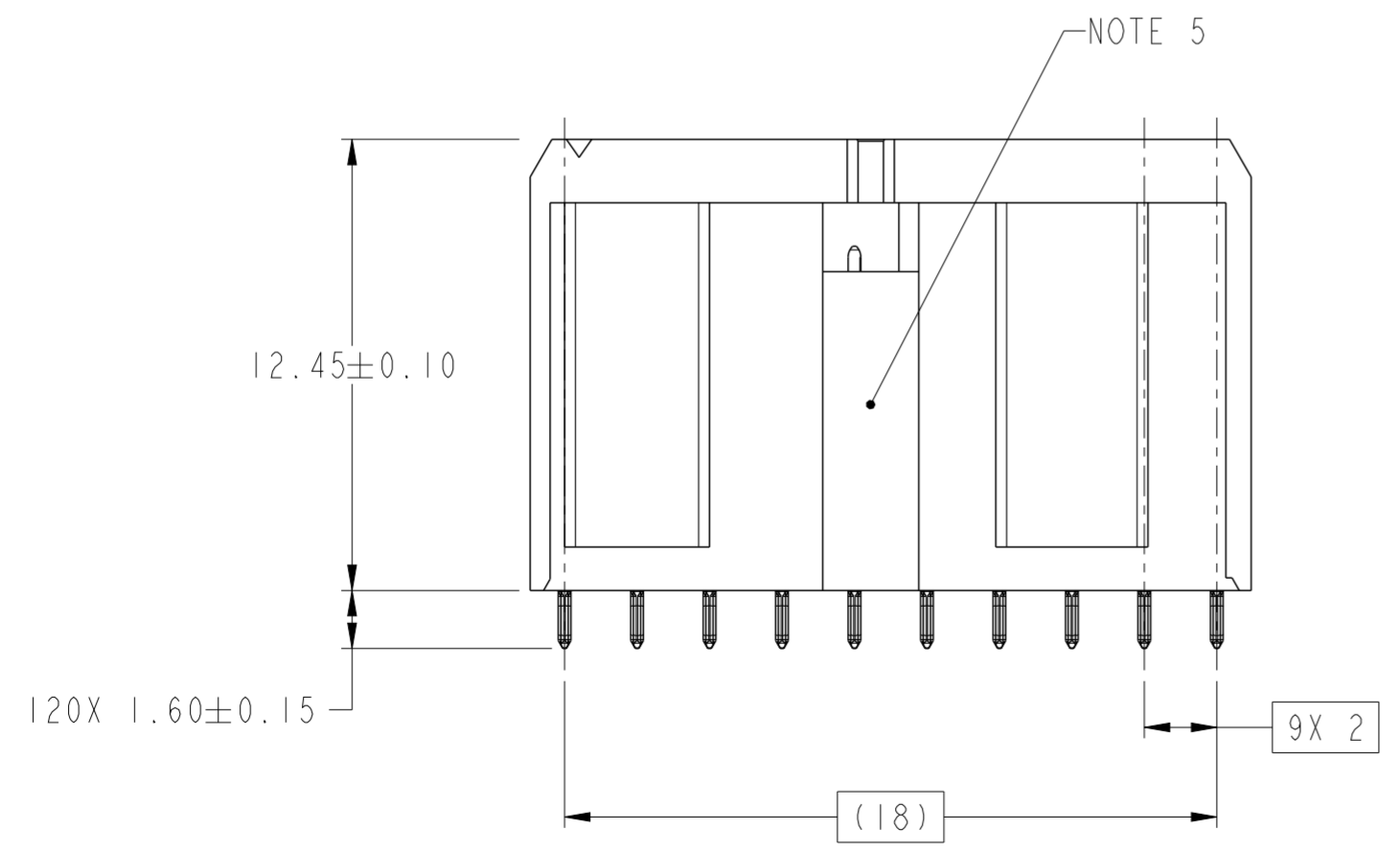
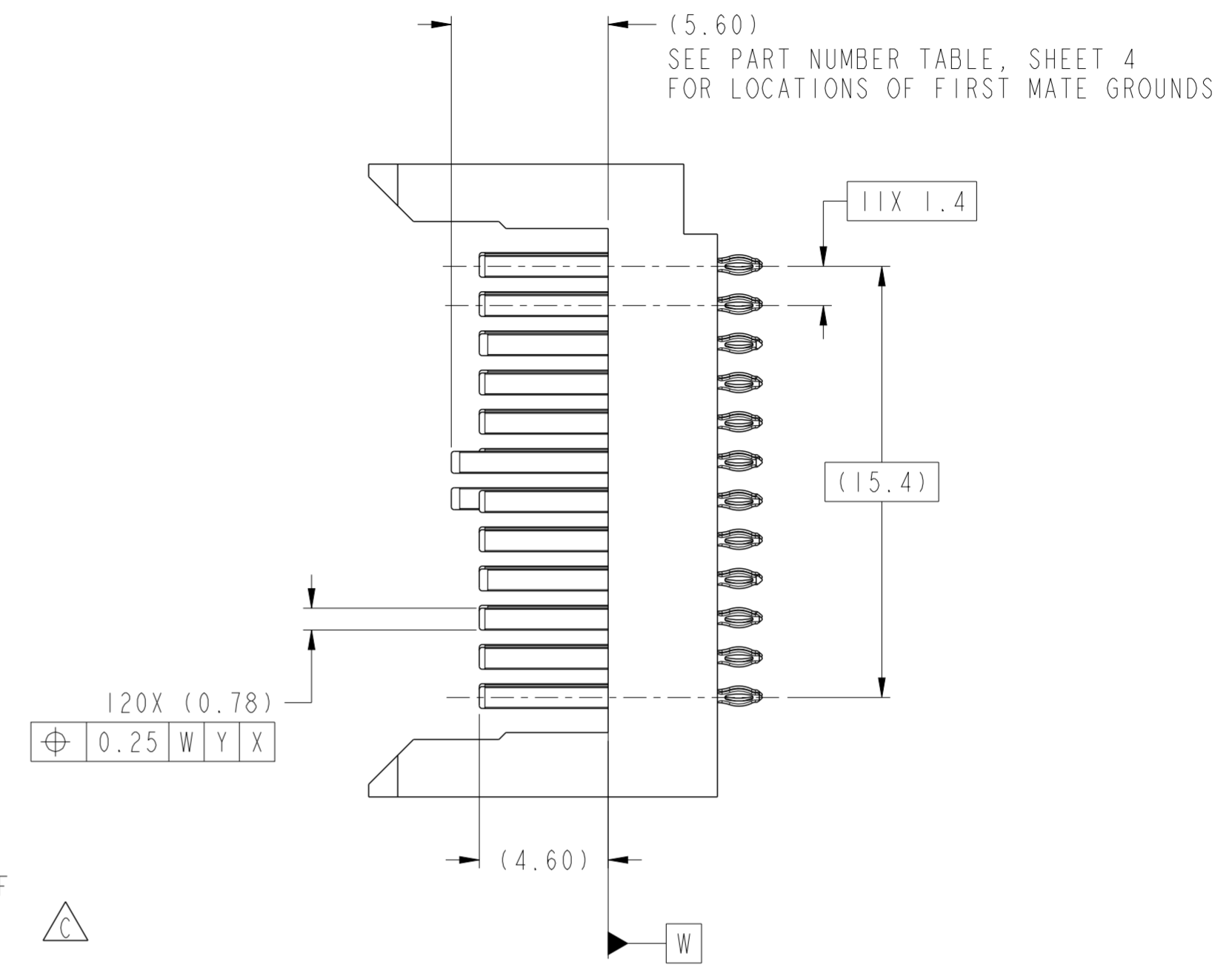
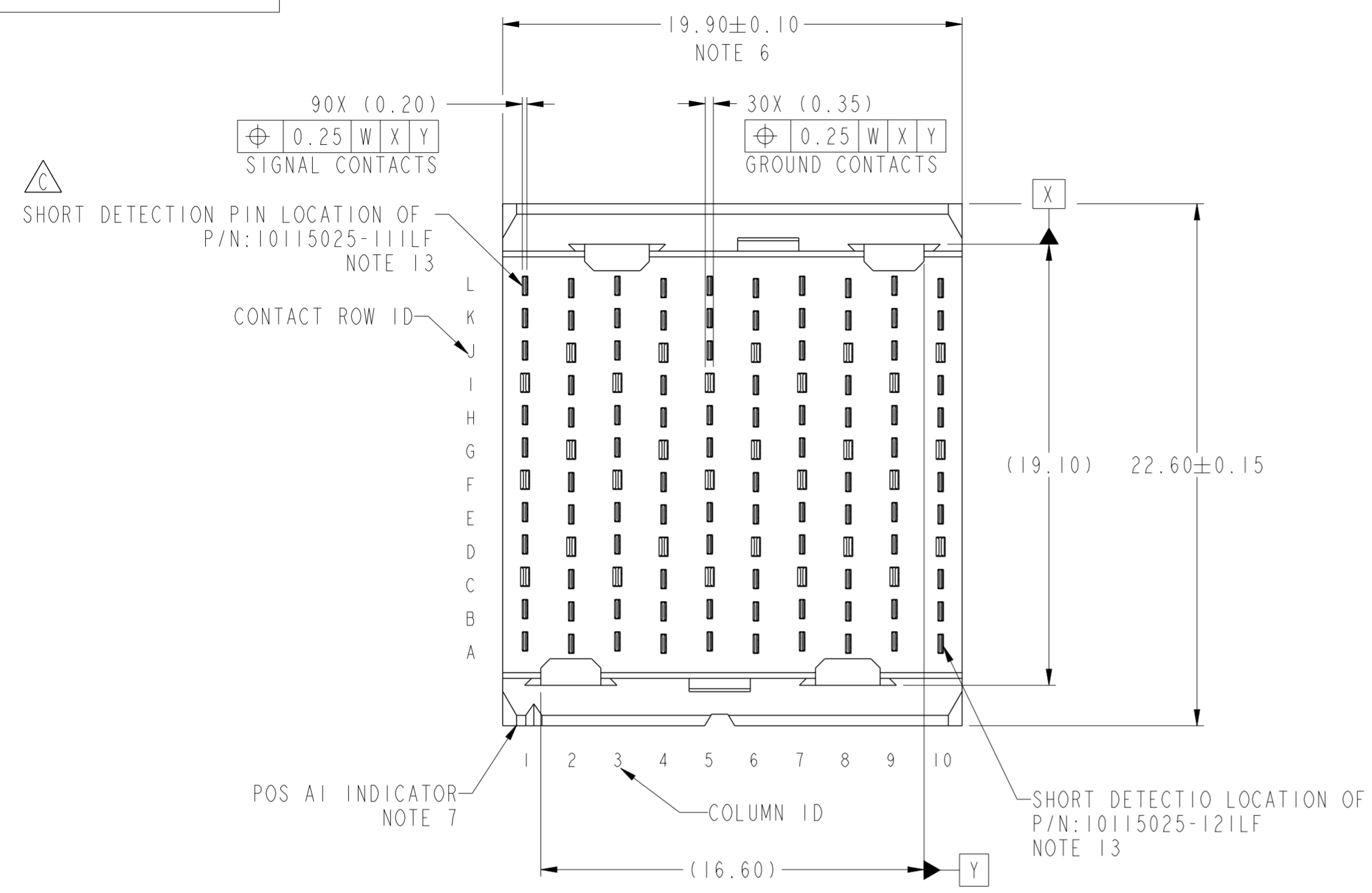


Product number
SEE TABLE, SHT 4

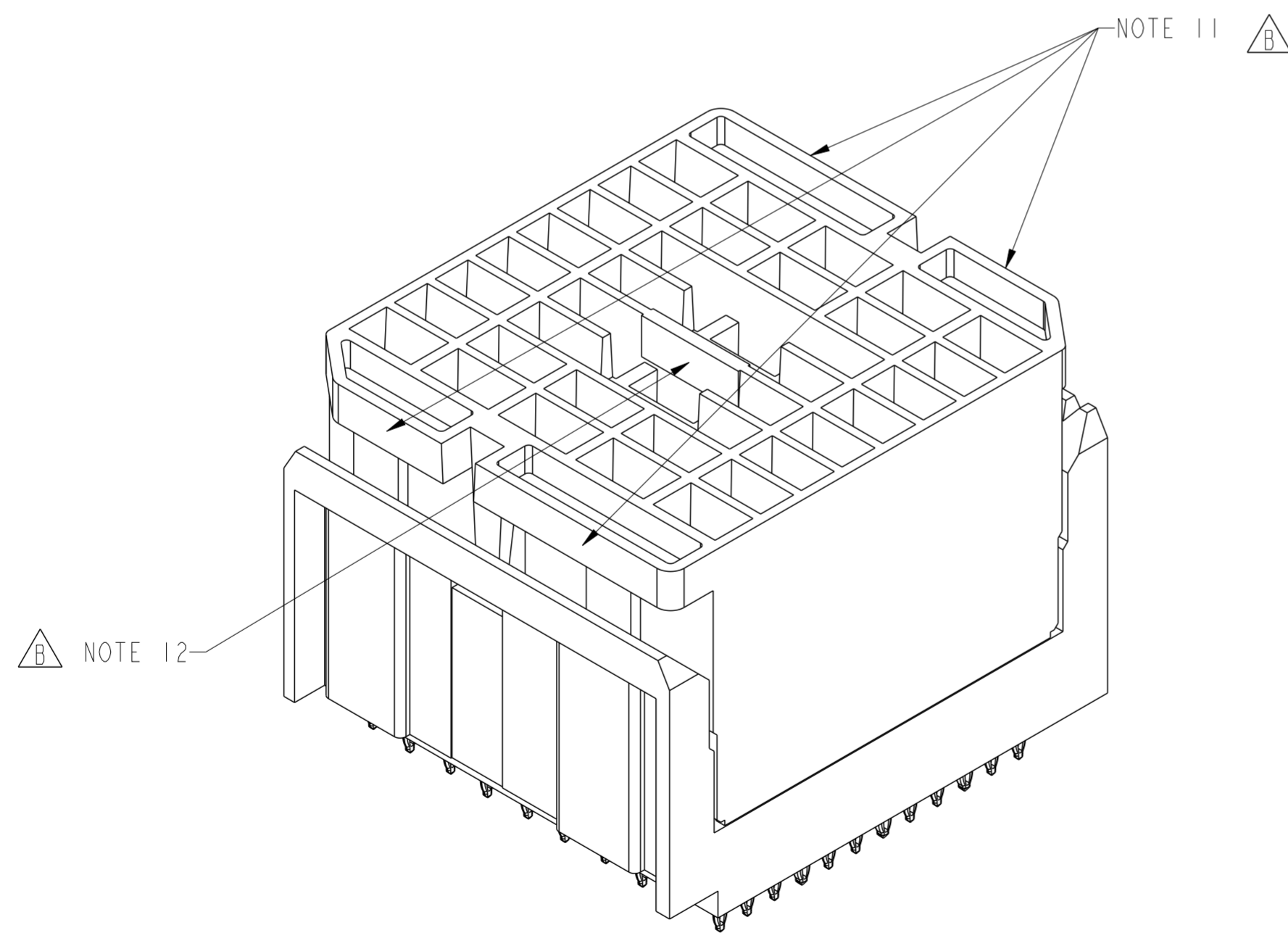
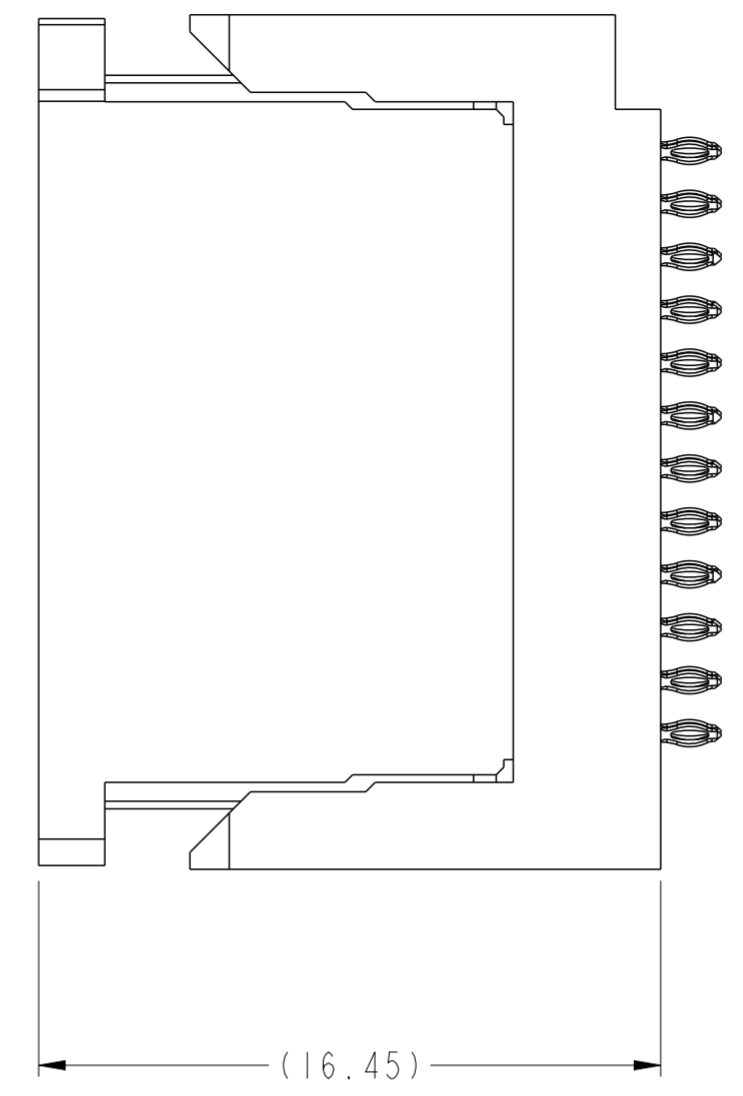
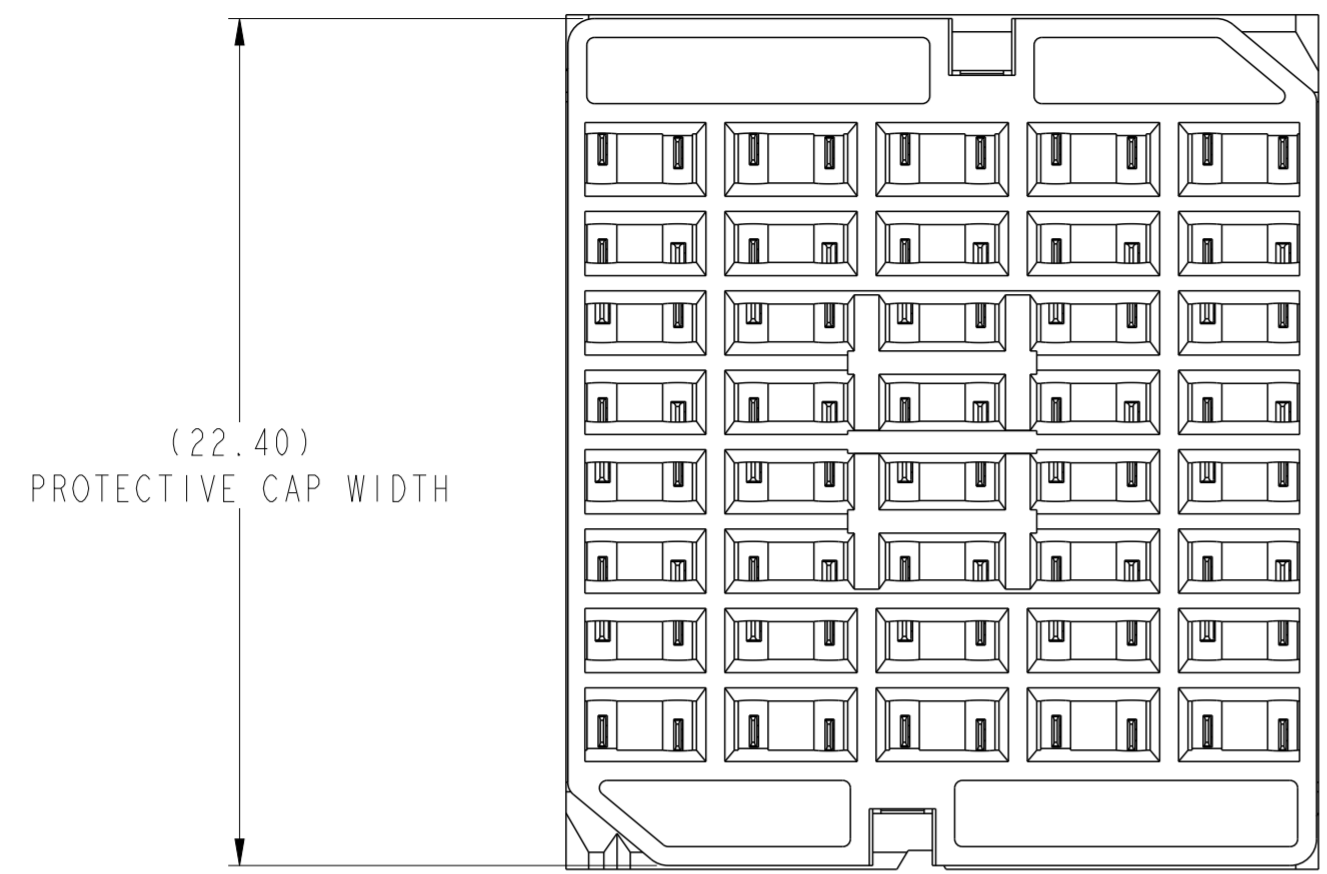


spec ref	-	dr	Stu Stoner	2010/06/07	projection	MM	size	A2	scale	5:1	
tolerance std	ASME Y14.5	eng	Tao Zhan	2014/01/07	chr	-	ecn no	ELX-DG-16659-1	rel level	Released	
surface	✓	appr	Pei-Ming Zheng	2014/01/09	product family	AIRMAX VS	cat. no	10115025	rev	C	
ASME Y14.5	linear	0.X	±0.3	0.XX	±0.10	0.XXX	±0.050	angular	0°	±2°	
TOLERANCES UNLESS OTHERWISE SPECIFIED		www.fci.com		title		AIRMAX VS2 VERTICAL HEADER		PRESS-FIT, 120 POS, 20.0 mm		Product - Customer Drw	sheet 1 of 4

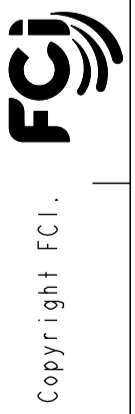
Copyright FCI.
FCI

1 2 3 4 5 6 7 8

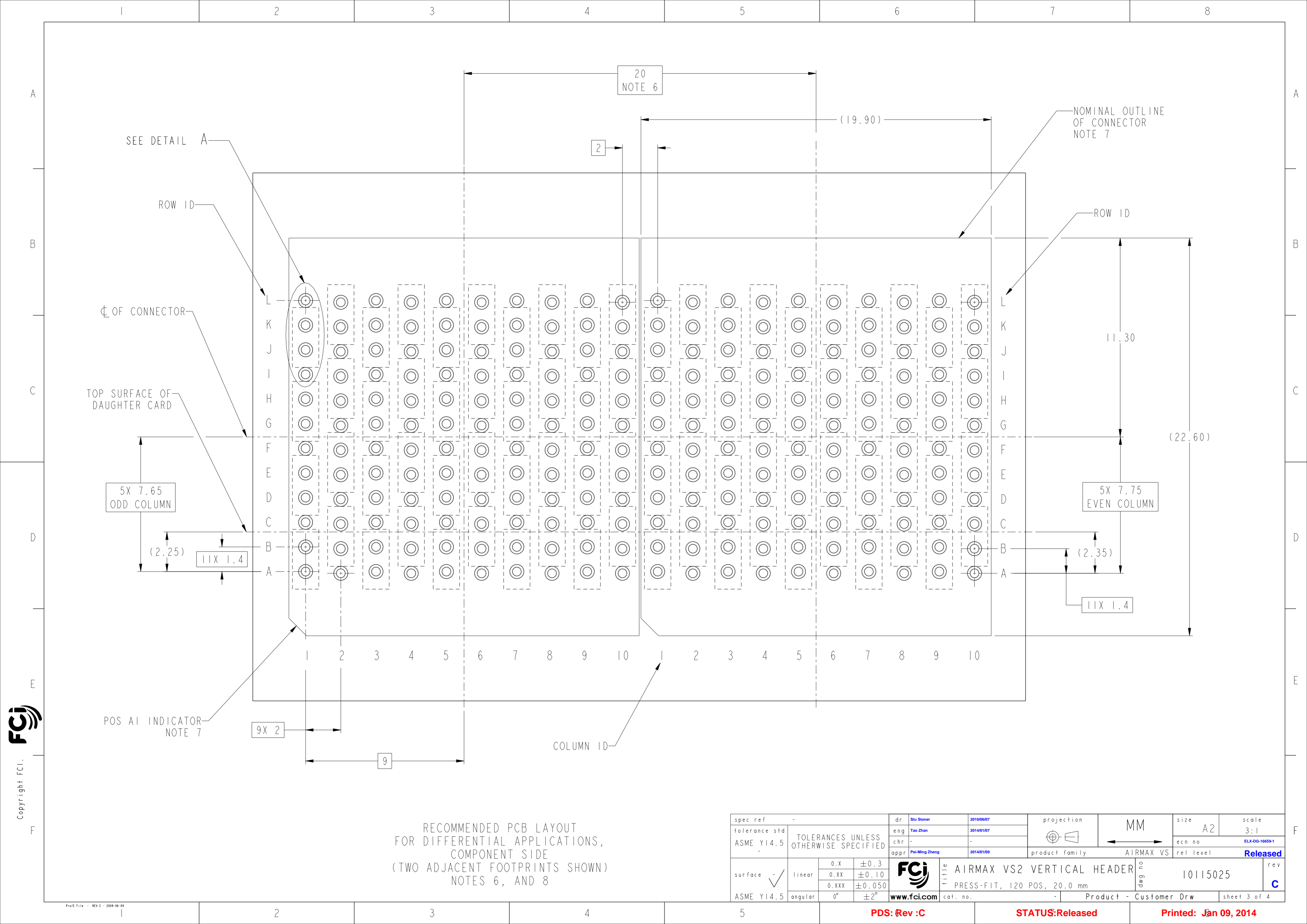
A B C D E F



VIEWS SHOWN WITH PROTECTIVE COVER INSTALLED



spec ref	-	dr	Stu Stoner	2010/06/07	projection	MM	size	A2	scale	5:1	
tolerance std	ASME Y14.5	eng	Tao Zhan	2014/01/07			ecn no	ELX-DG-16659-1			
TOLERANCES UNLESS OTHERWISE SPECIFIED		chr	-	rel level			Released				
surface	✓	appr	Pei-Ming Zheng	2014/01/09	product family	AIRMAX VS	div no	10115025		rev	C
ASME Y14.5	linear	0.X	±0.3		title		AIRMAX VS2 VERTICAL HEADER		cat. no. - Product - Customer Drw sheet 2 of 4		
		0.XX	±0.10		PRESS-FIT, 120 POS, 20.0 mm						
	angular	0°	±2°								



Copyright FCI.
FCI

RECOMMENDED PCB LAYOUT
FOR DIFFERENTIAL APPLICATIONS,
COMPONENT SIDE
(TWO ADJACENT FOOTPRINTS SHOWN)
NOTES 6, AND 8

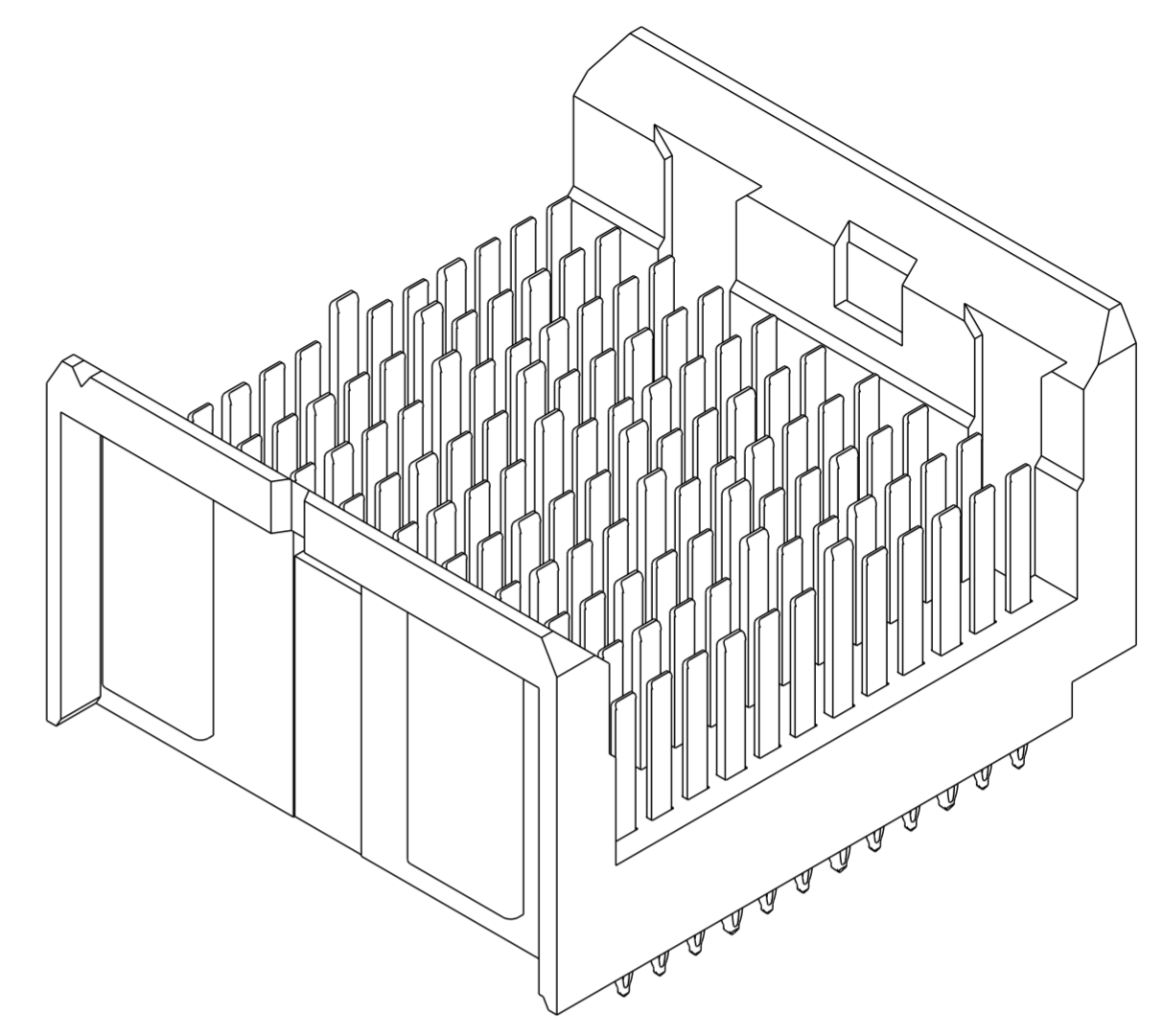
spec ref	-	dr	Stu Stoner	2010/06/07	projection	MM	size	A2	scale	3:1
tolerance std	ASME Y14.5	eng	Tao Zhan	2014/01/07			ecn no	ELX-DG-16659-1		
		chr	-	rel level			Released			
surface	✓	appr	Pei-Ming Zheng	2014/01/09	product family	AIRMAX VS	rel level	Released	title	AIRMAX VS2 VERTICAL HEADER
ASME Y14.5	linear	0.X	±0.3	0.XX	±0.10	0.XXX	±0.050	angular	0°	±2°
		www.fci.com	cat. no.	-	Product - Customer Drw	sheet 3 of 4	rev	C	10115025	

PDS: Rev :C

STATUS:Released

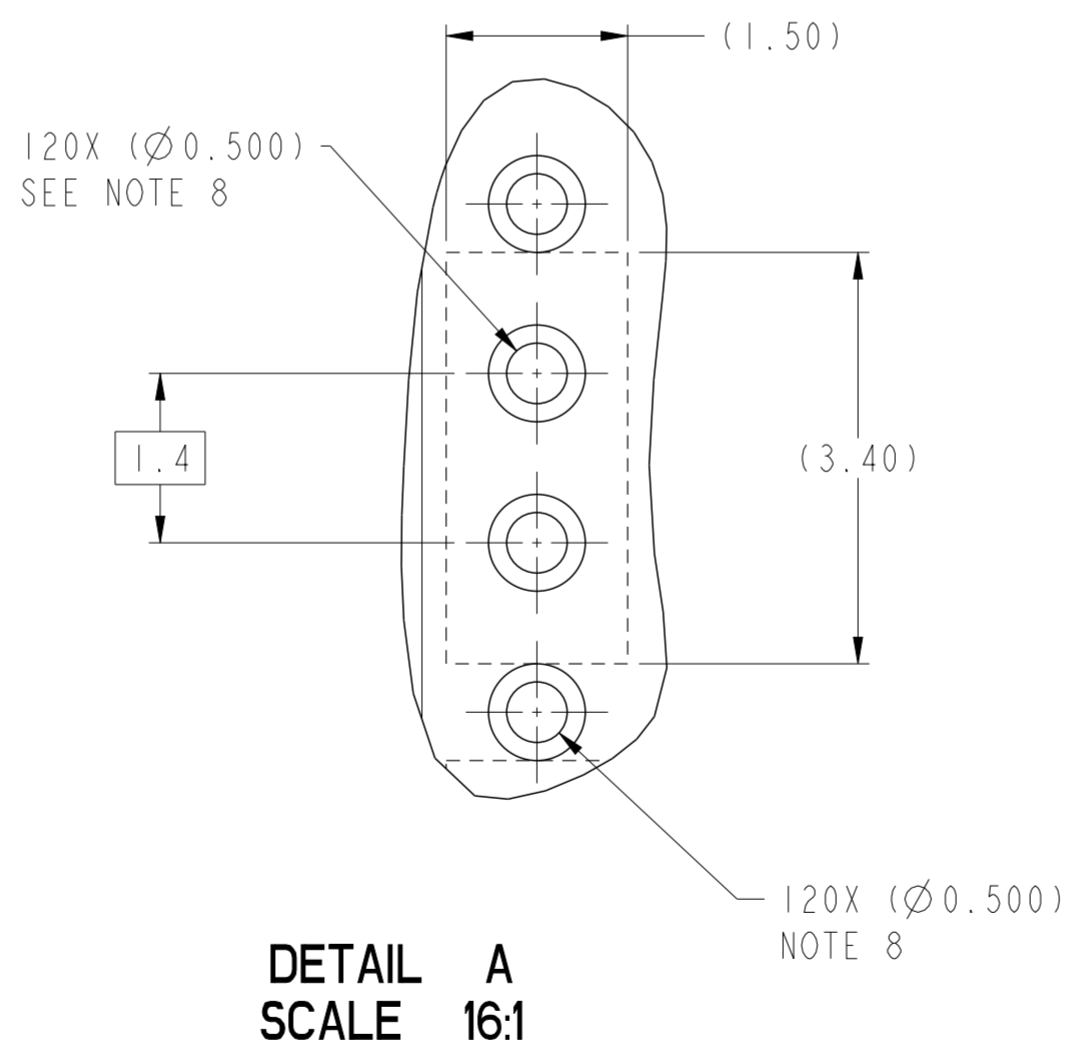
Printed: Jan 09, 2014

PART NUMBER	PRESS-FIT TAIL PLATING TYPE	PROTECTIVE COVER	FIRST MATE PIN LOCATIONS (5.6mm)	SHORT DETECTION PIN OPTION	
				LOCATION	QTY
10115025-10ILF	TIN OVER NICKEL (LEAD FREE)	YES	F1, F3, F5, F7, F9, G2, G4, G6, G8, G10	NA	NA
10115025-11ILF	TIN OVER NICKEL (LEAD FREE)	YES	F1, F3, F5, F7, F9, G2, G4, G6, G8, G10	LI	1
10115025-12ILF	TIN OVER NICKEL (LEAD FREE)	YES	F1, F3, F5, F7, F9, G2, G4, G6, G8, G10	A10	1



10115025-10ILF

- NOTES:
- CONNECTOR MATERIALS:
HOUSING: HIGH TEMP THERMOPLASTIC, BLACK, UL94V-0
CONTACT: COPPER ALLOY
 - CONTACT PLATING:
SEPARABLE INTERFACE: PERFORMANCE-BASED PLATING, QUALIFIED TO MEET THE REQUIREMENTS OF FCI PRODUCT SPECIFICATION GS-12-239 INCLUDING TELCORDIA GR-1217-CORE (NOVEMBER 1995) CENTRAL OFFICE TEST SEQUENCE
PRESS-FIT TAILS: SEE TABLE
 - PRODUCT SPECIFICATION: GS-12-239.
 - APPLICATION SPECIFICATION: GS-20-035.
 - PRODUCT MARKING, (PROTOTYPE, PART NUMBER & LOT CODE), ON THIS SURFACE.
 - THE MINIMUM CENTERLINE SPACING BETWEEN ADJACENT MODULES IS 20.0 mm.
 - CONNECTOR OUTLINE WITH HOUSING POS A1 INDICATOR MAY BE SCREEN PRINTED ONTO CUSTOMER PCB TO BE USED AS A GUIDE FOR MANUAL CONNECTOR PLACEMENT.
 - REFER TO CUSTOMER DRAWING 10045979 FOR INFORMATION ON PCB HOLE DIAMETERS AND PLATING OPTIONS.
 - THIS PRODUCT MEETS EUROPEAN UNION DIRECTIVES AND OTHER COUNTRY REGULATIONS AS DESCRIBED IN GS-22-008.
 - PACKAGING MEETS GS-14-920 LEAD FREE LABELING SPECIFICATION.
 - FOR REMOVAL OF THE PROTECTIVE CAP BY HAND GRIP USING THESE SURFACES.
 - FOR REMOVAL OF THE PROTECTIVE CAP WITH PLIERS GRIP USING THIS FEATURE.
 - SHORT DETECTION PIN IS 0.50mm LESS WIPE NOMINAL THAN THE SHORTEST PIN.
 - A $\triangle C$ SYMBOL WILL BE NEXT TO A DIMENSION, VIEW OR NOTE THAT HAD BEEN MODIFIED WITHIN THE CURRENT DRAWING REVISION.



spec ref	-	dr	Stu Stoner	2010/06/07	projection	MM	size	A2	scale	5:1
tolerance std	ASME Y14.5	eng	Tao Zhan	2014/01/07	chr	-	ecn no	ELX-DG-16659-1	rel level	Released
surface	✓	appr	Pei-Ming Zheng	2014/01/09	product family	AIRMAX VS	cat. no.	10115025	rev	C
ASME Y14.5	linear	0.X	±0.3	0.XX	±0.10	0.XXX	±0.050	angular	0°	±2°

www.fci.com

Product - Customer Drw

sheet 4 of 4