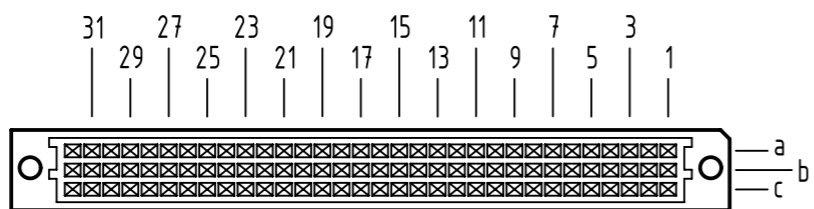


A
contact arrangement

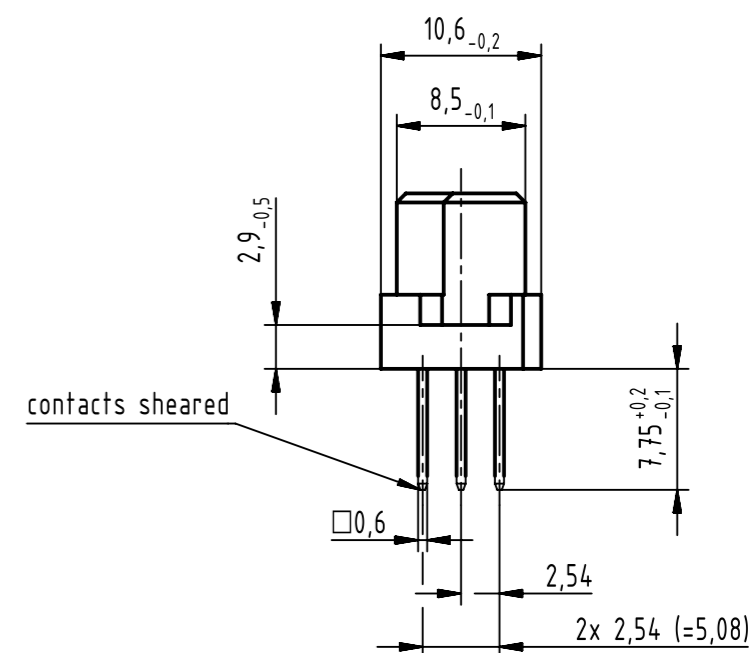


96 signal contacts

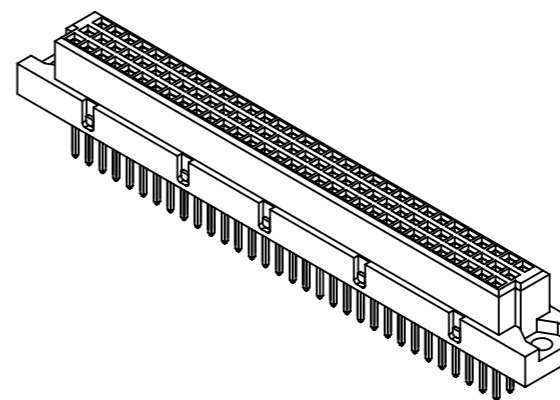
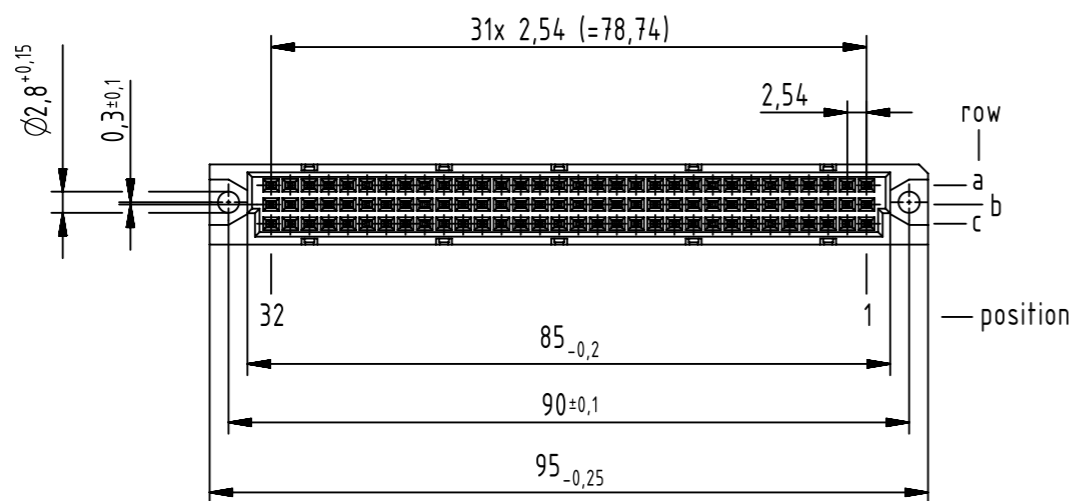
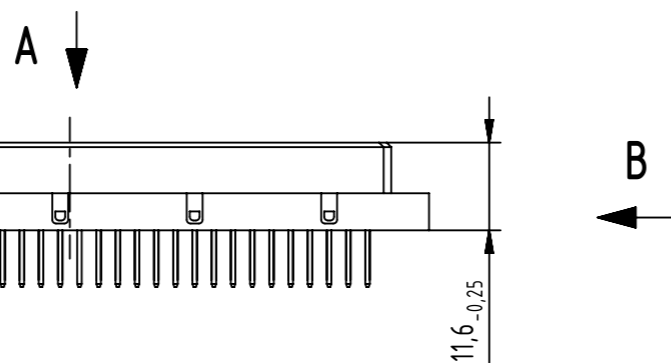
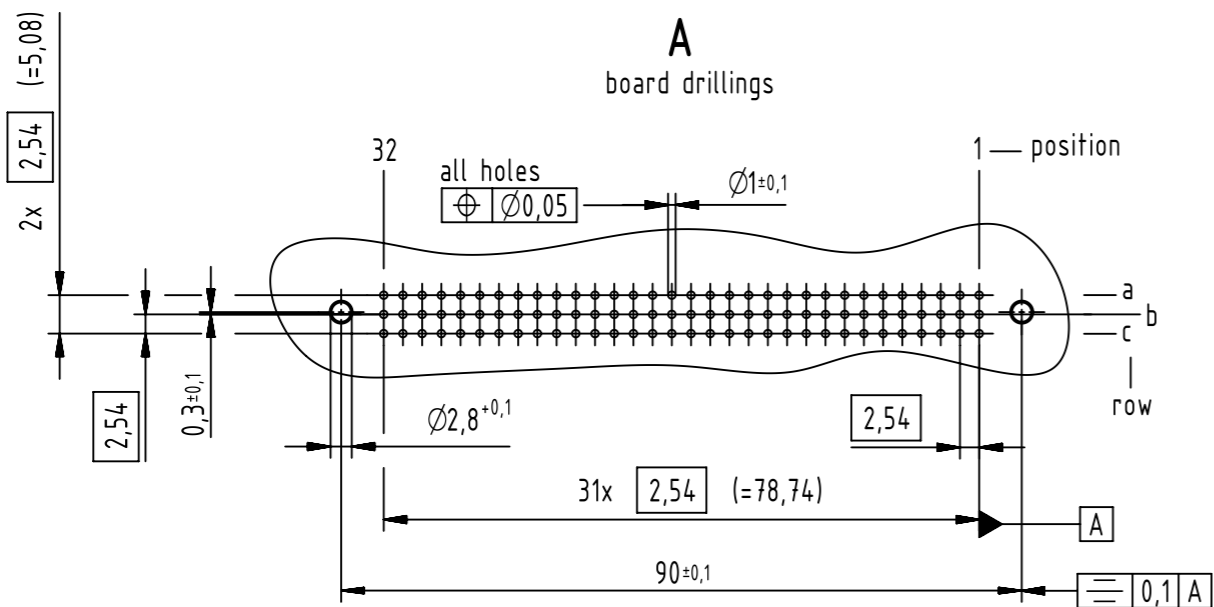
☒ = position with contact

□ = position without contact

B (2:1)



A
board drillings



1 further information see: DS 09032130202

09 03 296 6877	2
part-no.	performance level 1

<p>All rights reserved Department EC PD - DE</p>	<p>All Dimensions in mm Original Size DIN A3</p>	<p>Scale 1:1</p>	<p>Free size tol. IEC 60603-2</p>	Ref.		
				Sub. TB 09 03 296 X877 36143 19.10.10		
<p>HARTING Electronics GmbH D-32339 Espelkamp</p>	<p>Created by STORCK</p>	<p>Inspected by TADJE</p>	<p>Standardisation HOFFMANN</p>	<p>Date 2013-08-29</p>	<p>State Final Release</p>	
						<p>Title DIN Signal type C female WW 8.0 96-pole, SMC</p>
<p>Type TB</p>				<p>Number 0903296X877</p>		
				<p>Doc-Key / ECM-Nr. 100197382/UGD/005/B 50000065560</p>	<p>Rev. B</p>	<p>Page 1/1</p>