

## Contact insert module - HC-M-05-PT-M - 1417372


Please be informed that the data shown in this PDF Document is generated from our Online Catalog. Please find the complete data in the user's documentation. Our General Terms of Use for Downloads are valid (<http://phoenixcontact.com/download>)



Contact insert module, Number of positions: 5, Pin, Push-in connection, 400 V, 16 A, 0.14 mm<sup>2</sup> ... 2.5 mm<sup>2</sup>, Application: Power

RoHS

### Key Commercial Data

Packing unit	5 STK
Minimum order quantity	5 STK
GTIN	 4 055626 112541
GTIN	4055626112541

### Technical data

#### Dimensions

Height	35.5 mm
Width	34.2 mm
Length	14.6 mm

#### Electrical characteristics

Note	For HEAVYCON housing type B6 to B48, HC-M-MHR... hinged retaining frame required
Rated voltage (III/3)	400 V
Rated current	16 A
Rated surge voltage	6 kV
Connection profile	5

#### Ambient conditions

Ambient temperature (operation)	-40 °C ... 125 °C
---------------------------------	-------------------

#### Mechanical characteristics

Conductor cross section	0.14 mm <sup>2</sup> ... 2.5 mm <sup>2</sup> (with ferrule)
Connection cross section AWG	26 ... 14 (with ferrule)
Stripping length of the individual wire	8 mm ±1 mm

# Contact insert module - HC-M-05-PT-M - 1417372

## Technical data

### Mechanical characteristics

Insertion/withdrawal cycles	≥ 500
Minimum housing height	52 mm

### General

Series	HC-M-05
Color	light gray
Number of module slots	1
Connection method	Push-in connection
Flammability rating according to UL 94	V0
Degree of pollution	3
Overvoltage category	III
Assembly instructions	Housing height ≥ 52 mm. Plug-in connections may only be operated only when there is no load/voltage.

### Material data

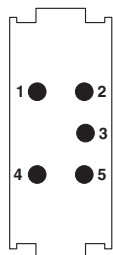
Contact material	Copper alloy
Contact surface material	Ag
Contact carrier material	PC

### Standards and Regulations

Flammability rating according to UL 94	V0
--	----

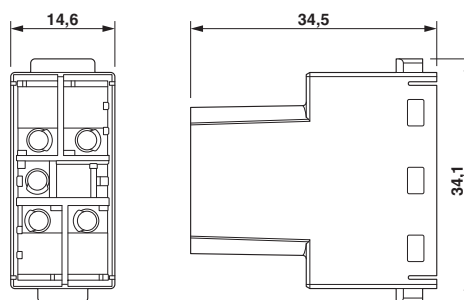
## Drawings

Schematic diagram



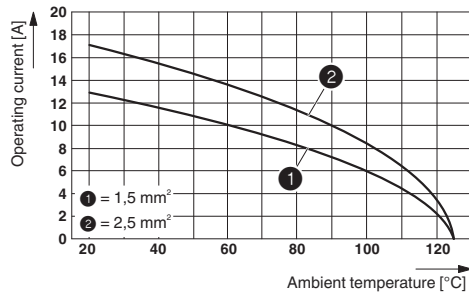
Connector pin assignment, connection side

Dimensional drawing



# Contact insert module - HC-M-05-PT-M - 1417372

Diagram



Derating diagram (6 modules in HC-B 24 housing)

## Approvals

### Approvals

Approvals

EAC / CSA / UL Recognized

Ex Approvals

### Approval details

EAC		<a href="http://www.eurasiancert.com">http://www.eurasiancert.com</a>	7500651.22.01.00246
-----	--	---	---------------------

CSA		<a href="http://www.csagroup.org/services/testing-and-certification/certified-product-listing/">http://www.csagroup.org/services/testing-and-certification/certified-product-listing/</a>	13631
mm²/AWG/kcmil	14		
Nominal current IN	15 A		
Nominal voltage UN	600 V		

UL Recognized		<a href="http://database.ul.com/cgi-bin/XYV/template/LISEXT/1FRAME/index.htm">http://database.ul.com/cgi-bin/XYV/template/LISEXT/1FRAME/index.htm</a>	E118976
mm²/AWG/kcmil	14		
Nominal current IN	19 A		
Nominal voltage UN	600 V		

Phoenix Contact 2017 © - all rights reserved  
<http://www.phoenixcontact.com>

PHOENIX CONTACT GmbH & Co. KG  
Flachmarktstr. 8  
32825 Blomberg  
Germany  
Tel. +49 5235 300  
Fax +49 5235 3 41200  
<http://www.phoenixcontact.com>