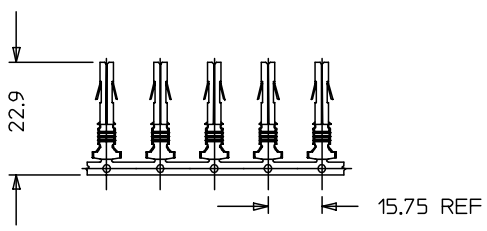
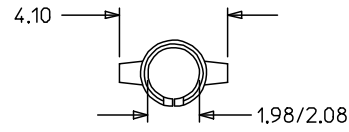


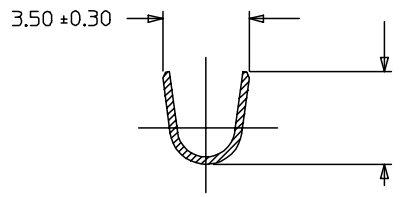
MATERIAL NO.	FINISH	WIRE SIZE	INSULATION DIA	PACKAGING METHOD
36535-0001	SEE NOTE 2	#16-13 AWG	5.10 MAX	CHAIN
36535-0002	SEE NOTE 2	#16-13 AWG	5.10 MAX	LOOSE



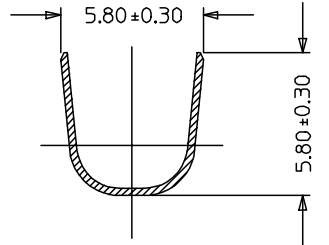
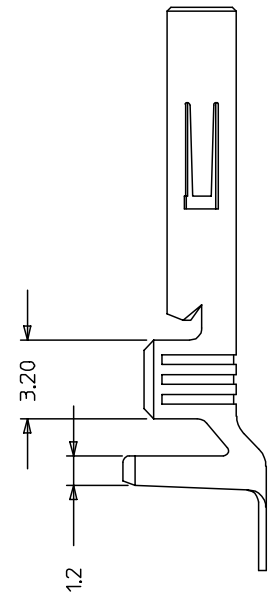
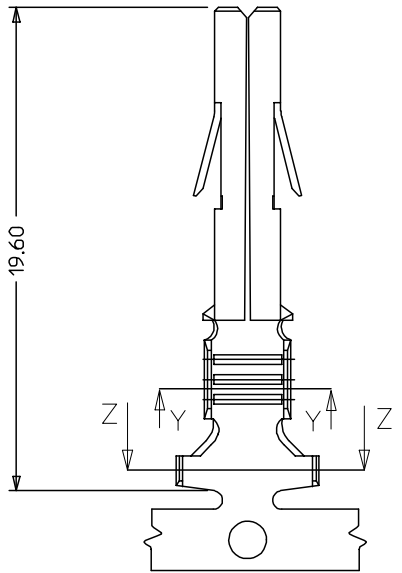
TERMINALS
IN CHAIN FORM
SCALE 1:1



- NOTES:
 1) MATERIAL: BRASS
 2) FINISH: HOT TIN DIP, THICKNESS=0.51 MICROMETER
 3) SOCKET TERMINALS FOR USE WITH THE 0.084/(2.13) SERIES HOUSINGS
 PLUG (42021-**) CAP (42022-**))
 4) CRIMP RANGE SEE CHART
 5) PRODUCT SPECIFICATION PS-42022-0001 APPLIES



SECTION Y-Y 5:1
WIRE CRIMP AREA



SECTION Z-Z 5:1
INSULATION CRIMP AREA

ENTER DESCRIPTION EC NO: 12005-0019 DRWN:SSUDHIR 2004/07/07 CHKD:DGDATA 2004/07/07 APPR:DGDATA 2004/07/08	QUALITY SYMBOLS	GENERAL TOLERANCES (UNLESS SPECIFIED)	SCALE 5:1	DESIGN UNITS METRIC	THIRD ANGLE PROJECTION	REVISE ON CAD ONLY															
	▼ = 0 ∇ = 0	<table border="1"> <thead> <tr> <th></th> <th>mm</th> <th>INCH</th> </tr> </thead> <tbody> <tr> <td>4 PLACES</td> <td>± ---</td> <td>± ---</td> </tr> <tr> <td>3 PLACES</td> <td>± ---</td> <td>± ---</td> </tr> <tr> <td>2 PLACES</td> <td>± 0.25</td> <td>± ---</td> </tr> <tr> <td>1 PLACE</td> <td>± 0.38</td> <td>± ---</td> </tr> </tbody> </table>		mm	INCH	4 PLACES	± ---	± ---	3 PLACES	± ---	± ---	2 PLACES	± 0.25	± ---	1 PLACE	± 0.38	± ---	DIMENSION STYLE MM ONLY	TITLE	TERMINAL SOCKET MLX #13-16 AWG 5.08 INS DIA	
			mm	INCH																	
		4 PLACES	± ---	± ---																	
3 PLACES	± ---	± ---																			
2 PLACES	± 0.25	± ---																			
1 PLACE	± 0.38	± ---																			
DRAFT WHERE APPLICABLE	APPROVED BY	DATE	MOLEX INCORPORATED																		
MUST REMAIN WITHIN DIMENSIONS	DGDATA	2004/05/24	MATERIAL NO.	DOCUMENT NO.	SHEET NO.																
			SEE CHART	SD-36535-001	1 OF 1																