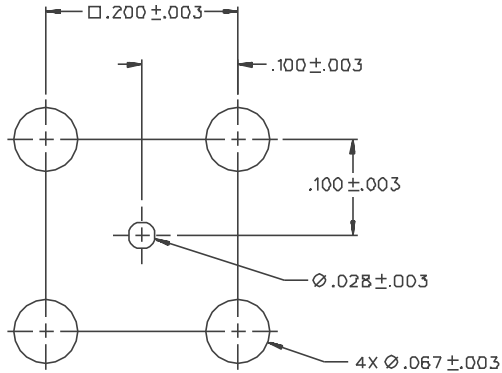
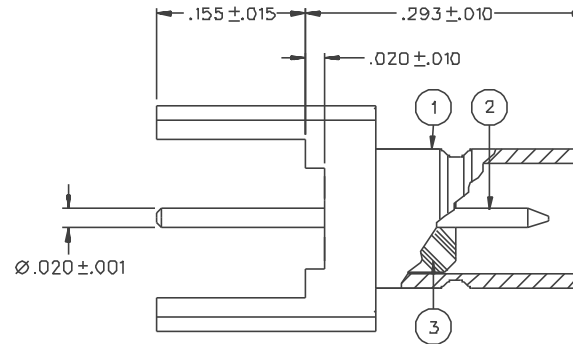
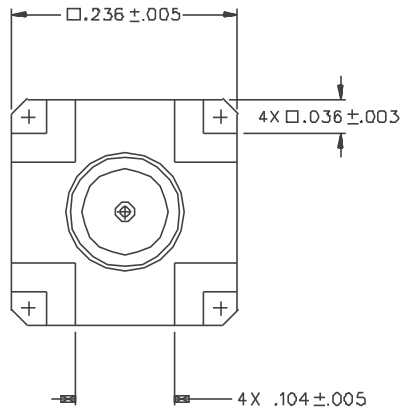


PART NUMBER	ITEM ① BODY	ITEM ② CONTACT	ITEM ③ INSULATOR
131-8701-251	BRASS GOLD PL .00001 MIN OVER NICKEL PL .00005 MIN OVER COPPER PL .00005 MIN	BRASS GOLD PL .00003 MIN OVER NICKEL PL .00005 MIN OVER COPPER PL .00005 MIN	TEFLON
131-8701-256	BRASS NICKEL PL .0001 MIN OVER COPPER PL .00005 MIN	BRASS GOLD PL .00003 MIN OVER NICKEL PL .00005 MIN OVER COPPER PL .00005 MIN	TEFLON



MOUNTING HOLE LAYOUT



NOTES:

1. SPECIFICATIONS:

IMPEDANCE: 75 OHMS  
 FREQUENCY RANGE: 0-2 GHz  
 VSWR: NOT APPLICABLE  
 WORKING VOLTAGE: 335 VRMS MAX AT SEA LEVEL  
 DIELECTRIC WITHSTANDING VOLTAGE: 1000 VRMS MIN AT SEA LEVEL  
 INSULATION RESISTANCE: 1000 MEGOHM MIN  
 CONTACT RESISTANCE:  
 CENTER CONTACT - INITIAL 6 MILLIOHM MAX, AFTER ENVIRONMENTAL 8 MILLIOHM MAX  
 OUTER CONDUCTOR - GOLD PLATED INITIAL 1 MILLIOHM MAX, AFTER ENVIRONMENTAL 1.5 MILLIOHM MAX  
 NICKEL PLATED INITIAL 2.5 MILLIOHM MAX, AFTER ENVIRONMENTAL 3.5 MILLIOHM MAX

BRAID TO BODY - NOT APPLICABLE  
 CORONA LEVEL: NOT APPLICABLE  
 INSERTION LOSS: NOT APPLICABLE  
 RF LEAKAGE: NOT APPLICABLE  
 RF HIGH POTENTIAL WITHSTANDING VOLTAGE: 600 VRMS AT 4 AND 7 MHZ

MECHANICAL:

ENGAGE/DISENGAGE FORCE: INITIAL 14 LBS MAX, AFTER DURABILITY 14 LBS MAX  
 ENGAGEMENT, 2 LB MIN DISENGAGEMENT

MATING TORQUE: NOT APPLICABLE  
 COUPLING PROOF TORQUE: NOT APPLICABLE  
 COUPLING NUT RETENTION: NOT APPLICABLE  
 CONTACT RETENTION: 4 LBS MIN AXIAL FORCE  
 CABLE ACCEPTABILITY: NOT APPLICABLE  
 CABLE HEX CRIMP SIZE: NOT APPLICABLE  
 CABLE RETENTION: NOT APPLICABLE  
 DURABILITY: 500 CYCLES MIN

ENVIRONMENTAL:

(MEETS OR EXCEEDS THE APPLICABLE PARAGRAPH OF MIL-C-39012)  
 THERMAL SHOCK: MIL-STD-202, METHOD 107, CONDITION B  
 OPERATING TEMPERATURE: -65 DEG C TO 165 DEG C  
 CORROSION: MIL-STD-202, METHOD 101, CONDITION B  
 SHOCK: MIL-STD-202, METHOD 213, CONDITION B  
 VIBRATION: MIL-STD-202, METHOD 204, CONDITION B

DRAWING NO. C - 131-8701-251/260	
0	REVISIONS
ENGINEERING RELEASE	
1	11-23-99 R H K T R ECN 46728

CUSTOMER DRAWING

THIS DRAWING TO BE INTERPRETED PER ANSY 14.5M - 1982

"µSTATION"

COMPANY CONFIDENTIAL

TOLERANCE UNLESS OTHERWISE SPECIFIED	DRAWN BY KAS	DATE 7-28-99	 Cinch Connectivity Solutions 299 Johnson Ave. Ste. 100 Waseca, MN 56093 1-800-247-8256
DECIMALS	CHECKED BY KAS	DATE 11-24-99	
.XX	APPROVED BY TAK	DATE 11-24-99	TITLE JACK ASSEMBLY VERTICAL PC MOUNT Mini-75 SMB, .155 LEG
.XXX ±.003	APPROVED BY RJB	DATE 12-14-99	CODE NO.
MATL	RELEASE DATE		DRAWING NO. C - 131-8701-251/260
FINISH			SCALE 10:1   U/M INCH   SHEET 2 OF 2