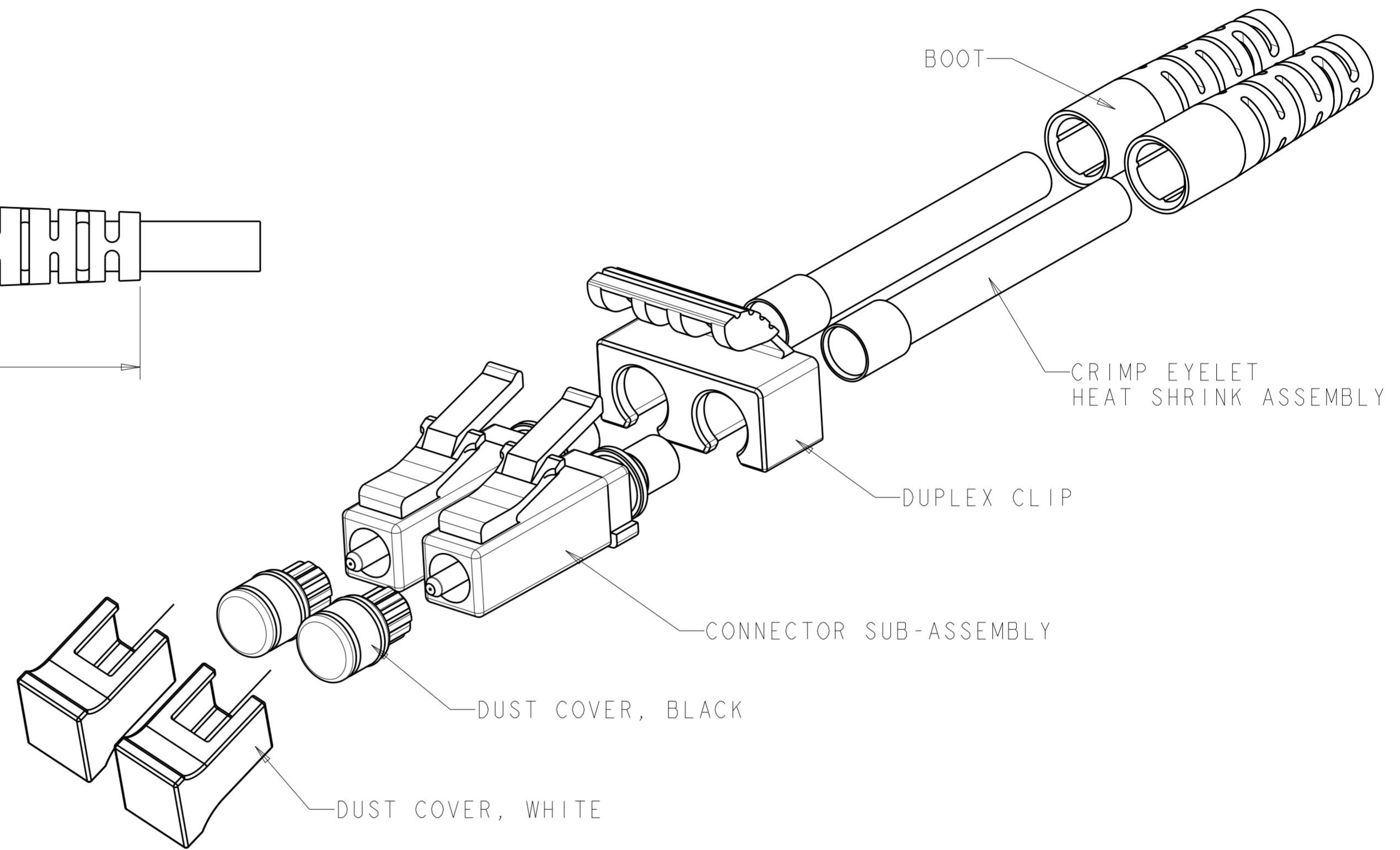
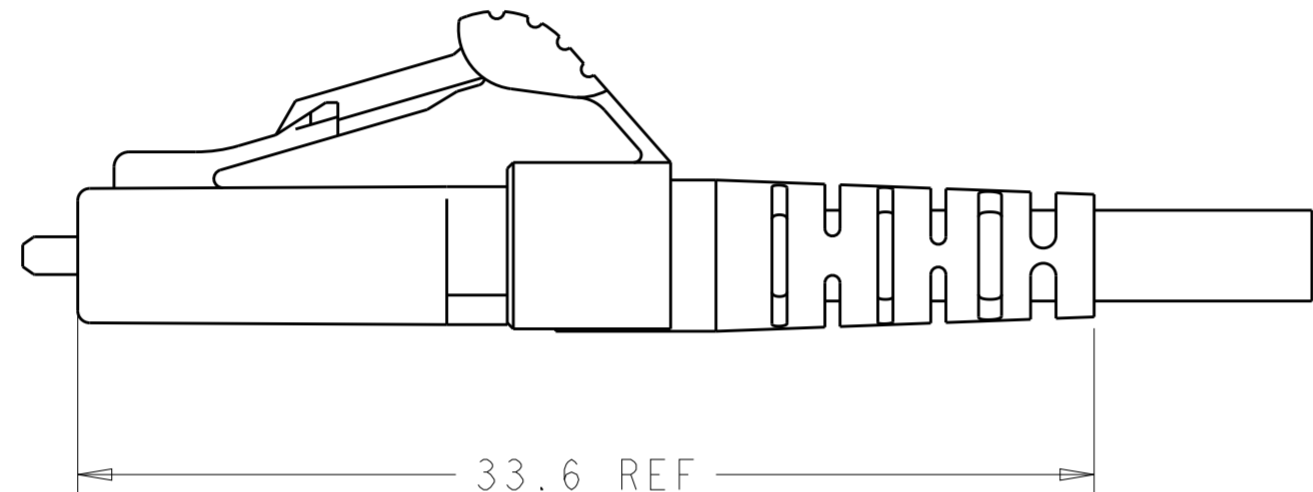
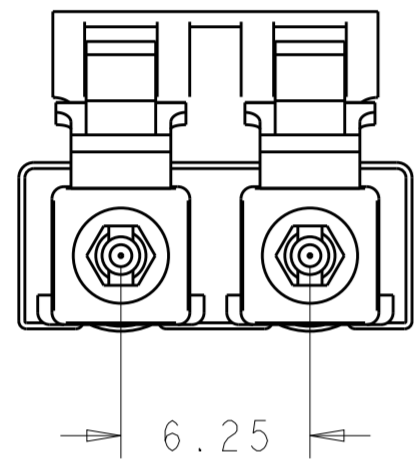
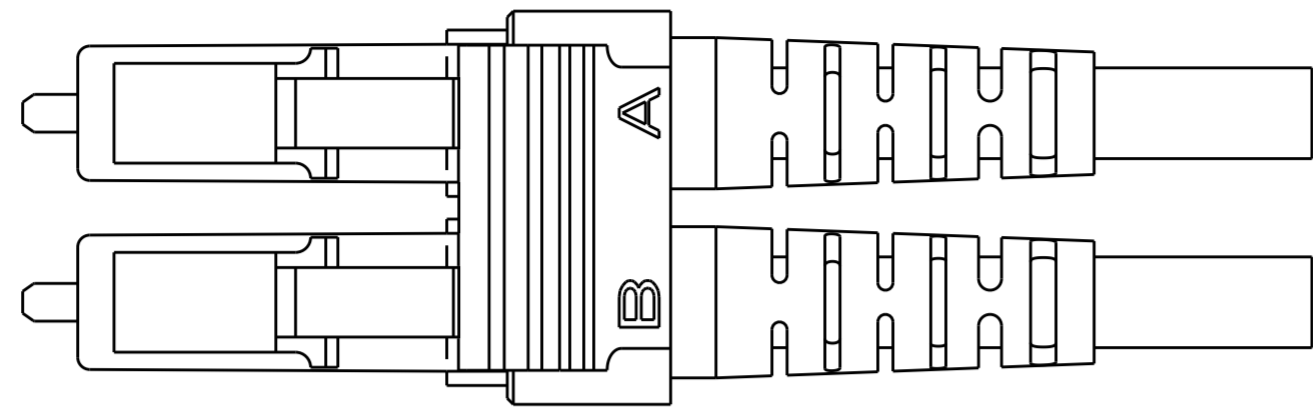


THIS DRAWING IS UNPUBLISHED. RELEASED FOR PUBLICATION 20
 © COPYRIGHT 20 BY - ALL RIGHTS RESERVED.

LOC	DIST	REVISIONS					
CE	00	P	LTR	DESCRIPTION	DATE	DWN	APVD
		A		UPDATE THE REV "I" TO "A"	23JUL2014	KZ	RZ



1. PRODUCT AND PROCESSING MUST MEET REQUIREMENTS OF TEC-138-702.
2. BULK PACKAGE

WHITE	BLUE	YELLOW	BLUE	SINGLEMODE	2148524-4
WHITE	BEIGE	YELLOW	BEIGE	MULTIMODE	2148524-3
BLACK	BLUE	YELLOW	BLUE	SINGLEMODE	2148524-2
BLACK	BEIGE	YELLOW	BEIGE	MULTIMODE	2148524-1
DUST COVER COLOR	BOOT COLOR	HEAT SHRINK COLOR	HOUSING COLOR	DESCRIPTION	PART NUMBER

THIS DRAWING IS A CONTROLLED DOCUMENT.

DWN KIM ZHANG 21AUG2012	 TE Connectivity					
CHK PHILIP LIU 21AUG2012						
APVD RICHARD ZHAO 21AUG2012						
NAME CONNECTOR KIT, ULTRA SHORT LC DUPLEX						
DIMENSIONS: mm	TOLERANCES UNLESS OTHERWISE SPECIFIED: 0 PLC ± 1 PLC ± 2 PLC ± 3 PLC ± 4 PLC ± ANGLES ± FINISH	PRODUCT SPEC - APPLICATION SPEC - WEIGHT -	SIZE A2	CAGE CODE 00779	DRAWING NO C-2148524	RESTRICTED TO -
MATERIAL -		Customer Drawing	SCALE 7:1	SHEET 1	OF 1	REV A