

Miniature Bayonet

17 SERIES

- **MINIATURE BAYONET NON-GROUNDED LAMPHOLDERS**
- **6" WIRE LEADS • ELECTRO TINNED STEEL SHELL IN BLACK NYLON HOUSING**
- **MAXIMUM RATING: 75 WATTS, 125 VOLTS**
- **UL RECOGNIZED • UL FILE E20356**

Overview

The 17 Series lampholders have an electro tinned steel shell in a black nylon housing. Lampholders are supplied with two 6" wire leads and are non-grounded. Many bracket and mounting options are available including a 5/8" mounting hole plug button and a threaded bushing for 19/64" mounting holes. Lampholders are designed for use with miniature bayonet lamps.

Specifications

Shell: electro tinned steel.

Housing: black nylon.

Wire leads: 6" **Leads:** #22 AWG, black & white, stranded, tinned copper, PVC insulated, UL/CSA rated 105° C, stripped 1/2". Custom wire lengths, stripping, termination and wire types are also available.

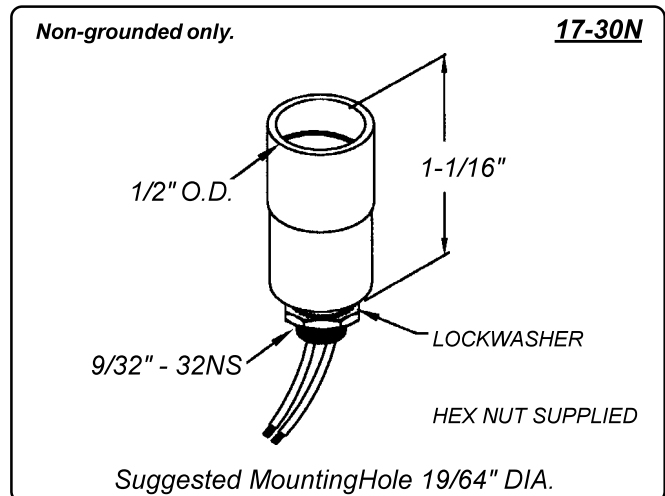
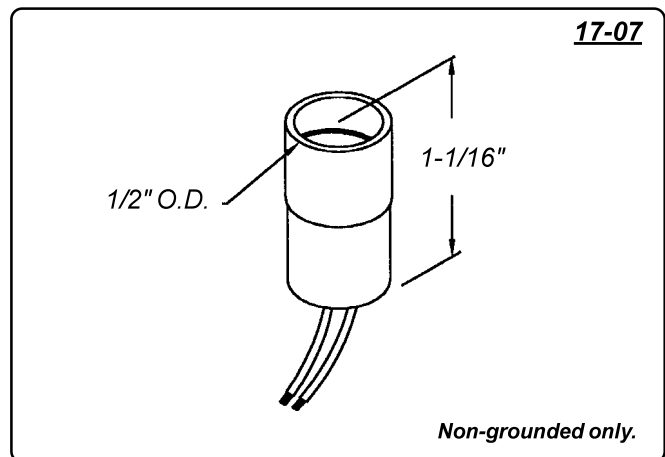
Mounting:

Brackets: 0.025" to 0.032" zinc plated steel. Custom brackets and plating types are available.

Plug button: zinc plated steel for 5/8" mounting hole.

Threaded bushing: for 19/64" diameter hole. Supplied with lockwasher and hex nut.

Maximum rating: 75 Watts, 125 Volts.



Can't find it here? We have many more standard and custom solutions

The items in this product sheets are only a small representative sample of the complete VCC product line. We manufacture many additional products which are not shown in this product sheet due to space constraints.

Custom products can also be designed uniquely for you by our Technical Support Professionals. Starting from your ideas and specifications, we work with your personnel to develop timely and cost effective solutions for your miniature lighting needs.

VCC Technical Support Services are provided without charge and may include designs, prototypes and pre-production samples.

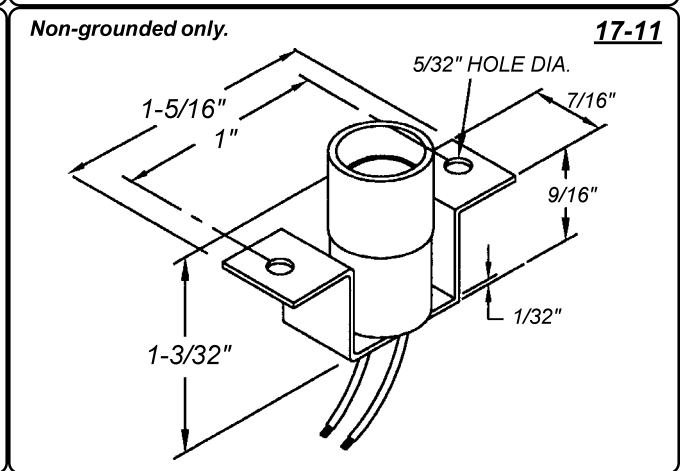
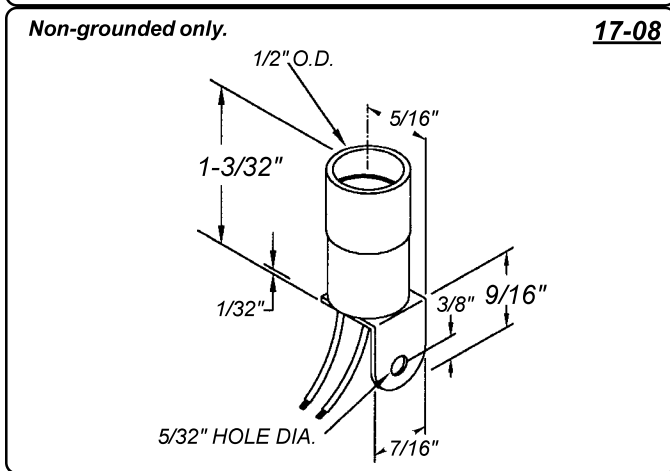
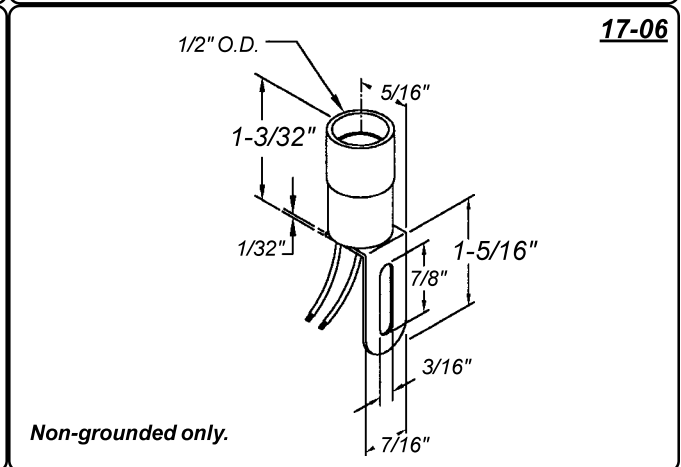
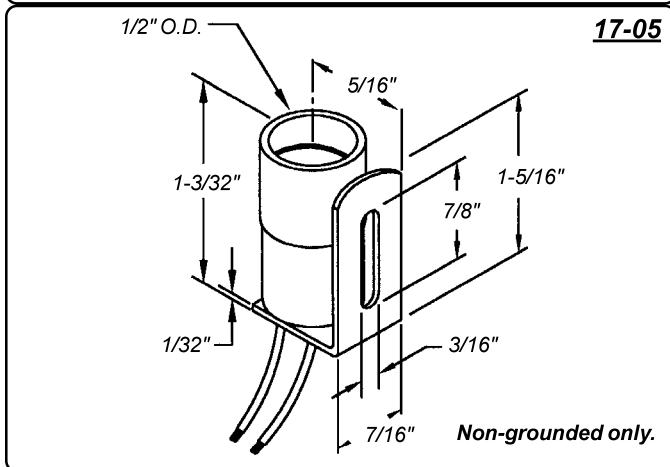
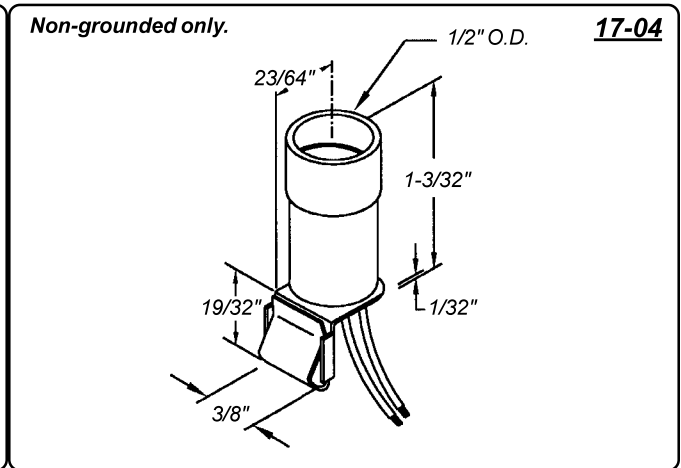
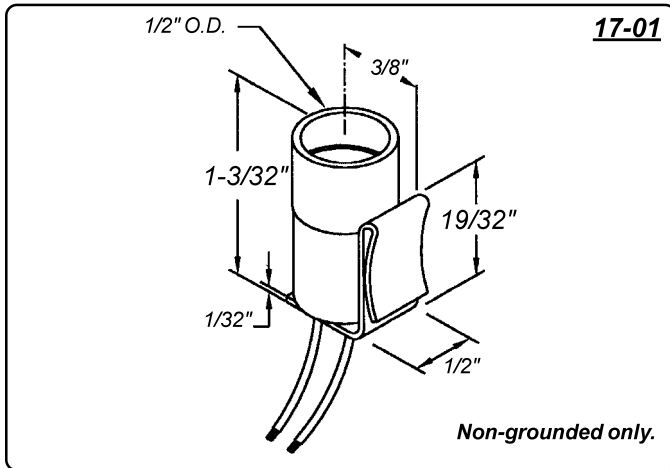
For further information, phone Customer Service at 800.522.5546.

Miniature Bayonet

17 SERIES

UL Recognized • Non-Grounded
 Maximum Rating: 75 Watts, 125 Volts

Electro Tinned Steel Shell
 Black Nylon Housing
 6" Wire Leads

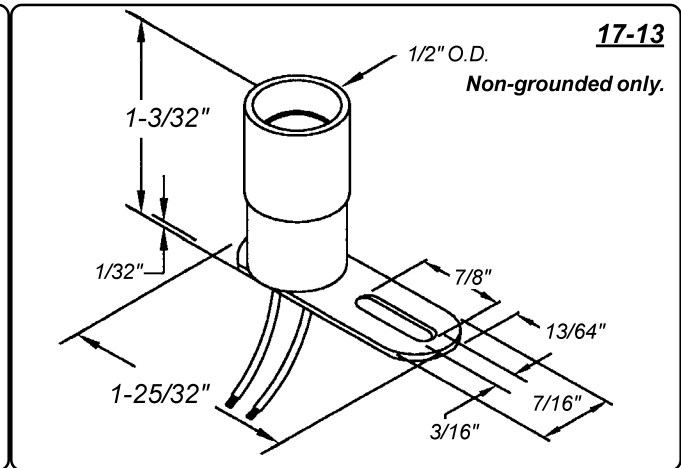
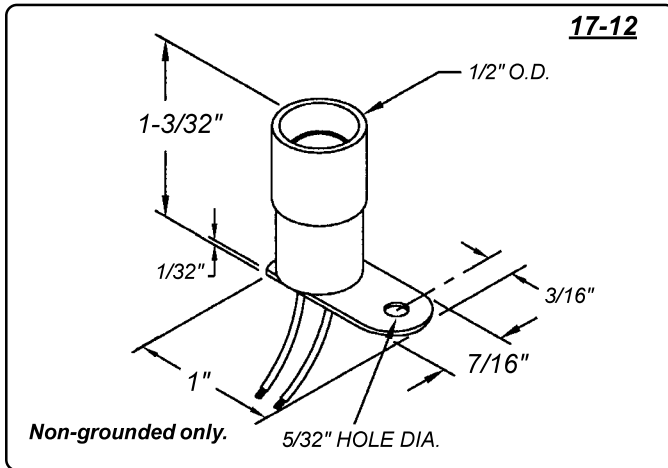


Miniature Bayonet

17 SERIES

UL Recognized • Non-Grounded
 Maximum Rating: 75 Watts, 125 Volts

Electro Tinned Steel Shell
 Black Nylon Housing
 6" Wire Leads



17-14
17-15
17-18
17-82

Mounting Hole Diagram

Bracket No.	"A" Dimension
-14	7/8"
-15	1-1/4"
-18	1-1/2"
-82	1"

Maximum Panel Thickness .045"

Non-grounded only.

