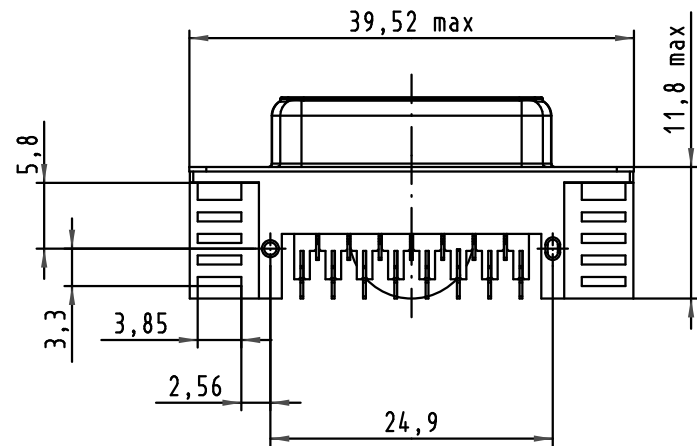
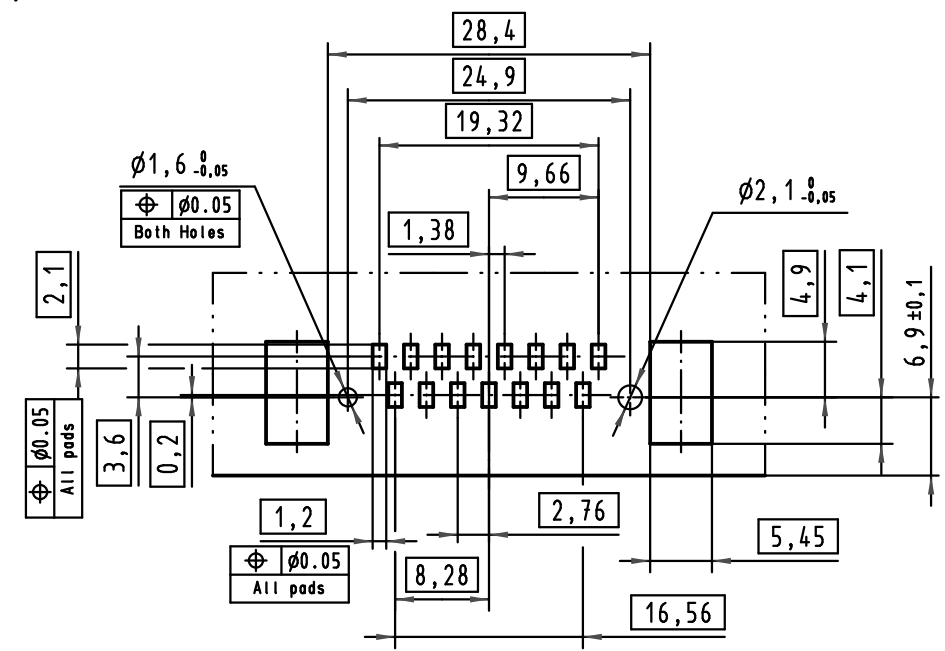


1 2 3 4 5 6

A

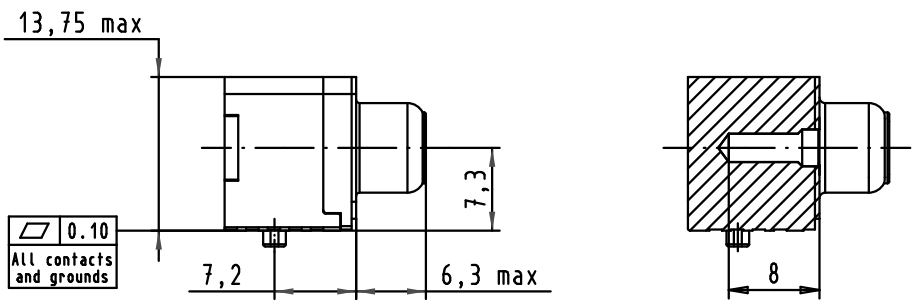
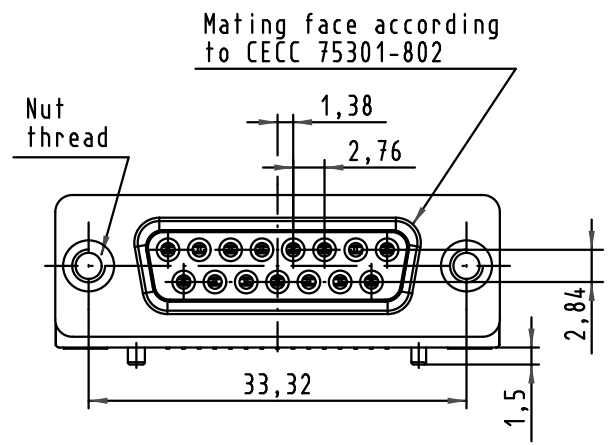


B



PCB Layout, component side (thickness 1,6mm min.)

C



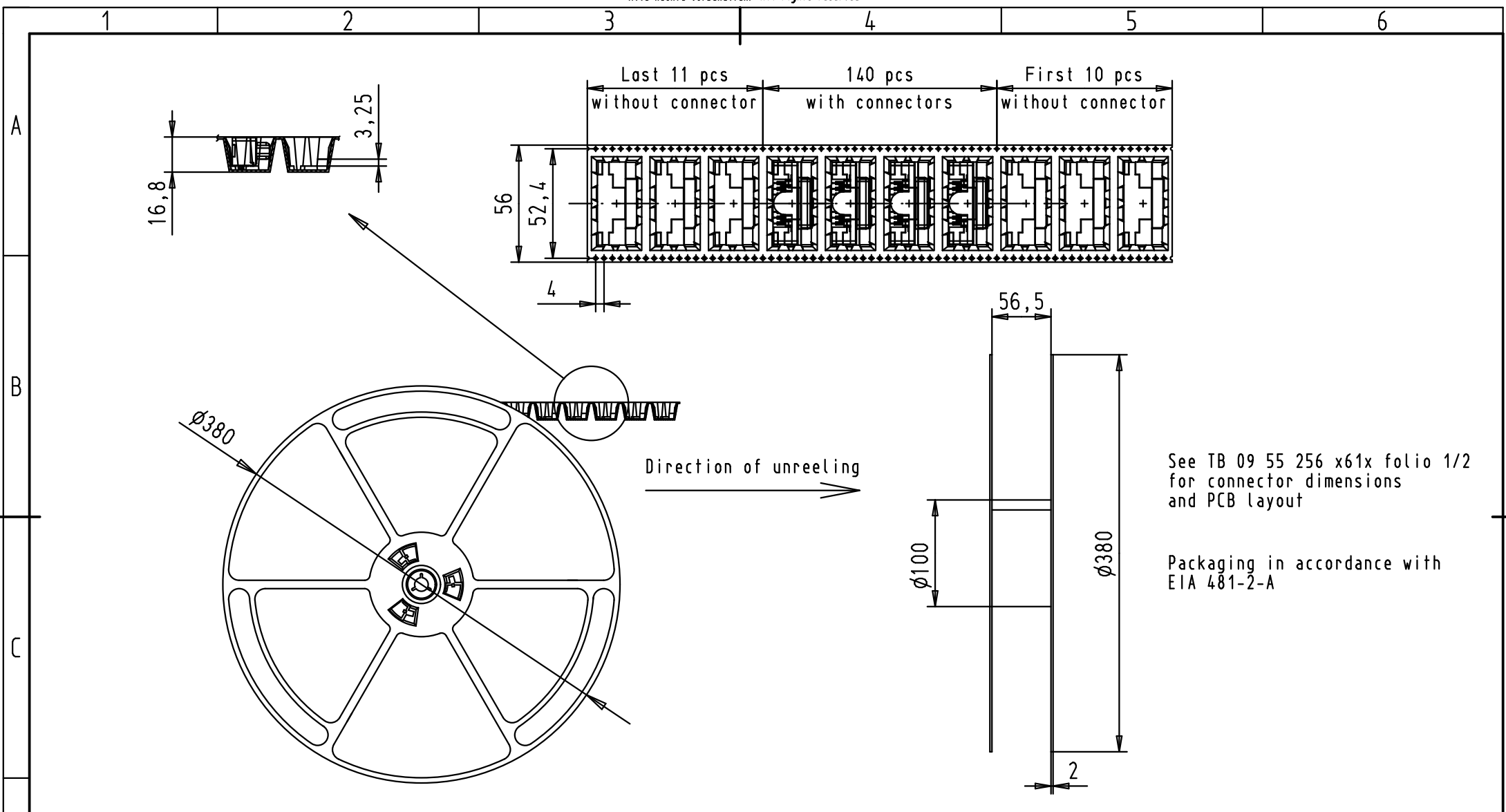
Max. Temperature: 260°C during 10 seconds

D

09552563612.741	1	4-40 UNC	Black Insulator	Reel Packaging (140 connectors) see page 2/2							 All Dim. in mm Orig. Size DIN A 4	D-SUB SMT Standard Female 15p with die casted grounds and nuts	Maßstab/ Scale 1,5:1	
09552566612.741	2													
09552567612.741	3													
09552563611.741	1	M3	Black Insulator	Reel Packaging (140 connectors) see page 2/2								TB 09 55 256 x61x	Blatt/ Page 1 / 2	
09552566611.741	2													
09552567611.741	3													
Part number	PL	Thread	Index designation		Mod.	Dot.	Name					Sub.		

HARTING EURL
F-95972 Paris





See TB 09 55 256 x61x folio 1/2 for connector dimensions and PCB layout

Packaging in accordance with EIA 481-2-A

D	09552563612.741	1	4-40 UNC	Black Insulator	Reel Packaging (140 connectors)				Dot.	Name	 All Dim. in mm Orig. Size DIN A 4	D-SUB SMT Standard Female 15p with die casted grounds and nuts	Maßstab/ Scale	
	09552566612.741	2						Detail.	17Jul2006	ED				
	09552567612.741	3						Insp.						
	09552563611.741	1	M3			EC02316	30Aug2010	ED	Stand.			 HARTING	TB 09 55 256 x61x	Blatt/ Page 2 / 2
	09552566611.741	2				EC01257	25Jan2010	ED	HARTING EURL					
	09552567611.741	3				EC01078	09Nov2009	LP	F-95972 Paris					
	Part number	PL	Thread	Index designation	Mod.	Dot.	Name			Sub.				