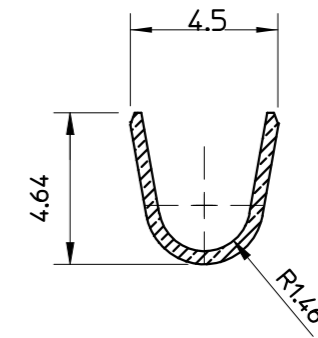
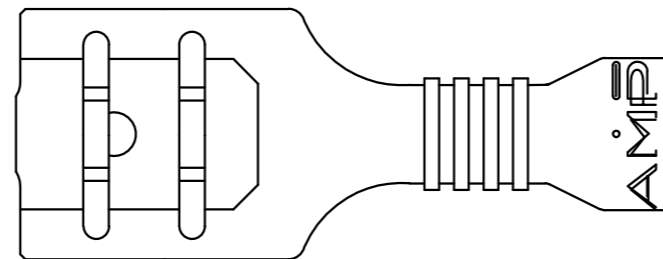


SECTION A-A



SECTION B-B



NOTE:
 1. INITIAL INSERTION FORCE:
 P/Nos 190538-1 & -2: 60N MAX
 P/Nos 190538-4, -7 : 80N MAX

	-	PRE TIN	BRASS	190538-7
SUPERSEDED BY -7	-	TIN PLATED	BRASS	190538-4
	-	-	NICKEL SILVER	190538-2
	-	-	BRASS	190538-1
	REMARKS	FINISH	MATERIAL	PART No

WIRE RANGE: 0.5-1.5 sq mm				REMARKS					
INSULATION RANGE: ϕ 2.29-3.3 mm				FINISH					
SIZE				DATE 23/3/94					
DATE 23/3/94				CHK W RIEDE					
D1 ECR-09-014312 P/N -8 REMOVED WR 24 JUN 09				DR H THAI					
D ECR-09-006384 P/N -8 ADDED WR 19 MAR 09				APP -					
C ECR-05-016592 WR 29/11/05				NAME					
B ECN FA 00 0003 95 BL 17/5/95				RECEPTACLE, FASTON, 0.250					
A ECN 94009 BL 22/2/94				SCALE AS 4:1 or SHOWN					
P	F	LTR	REVISION RECORD	APP	DATE	SIZE A3	DWG No. C-190538	SHEET 1 OF 1	REV D1



THIS INFORMATION IS CONFIDENTIAL AND DISCLOSED TO YOU ON CONDITION THAT NO FURTHER DISCLOSURE IS MADE BY YOU TO OTHER THAN AMP PERSONNEL WITHOUT WRITTEN AUTHORIZATION FROM AUSTRALIAN AMP