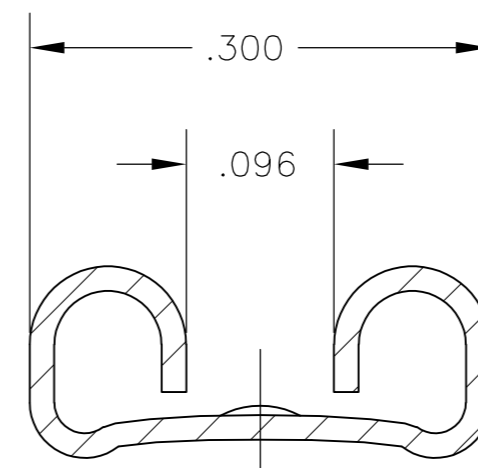
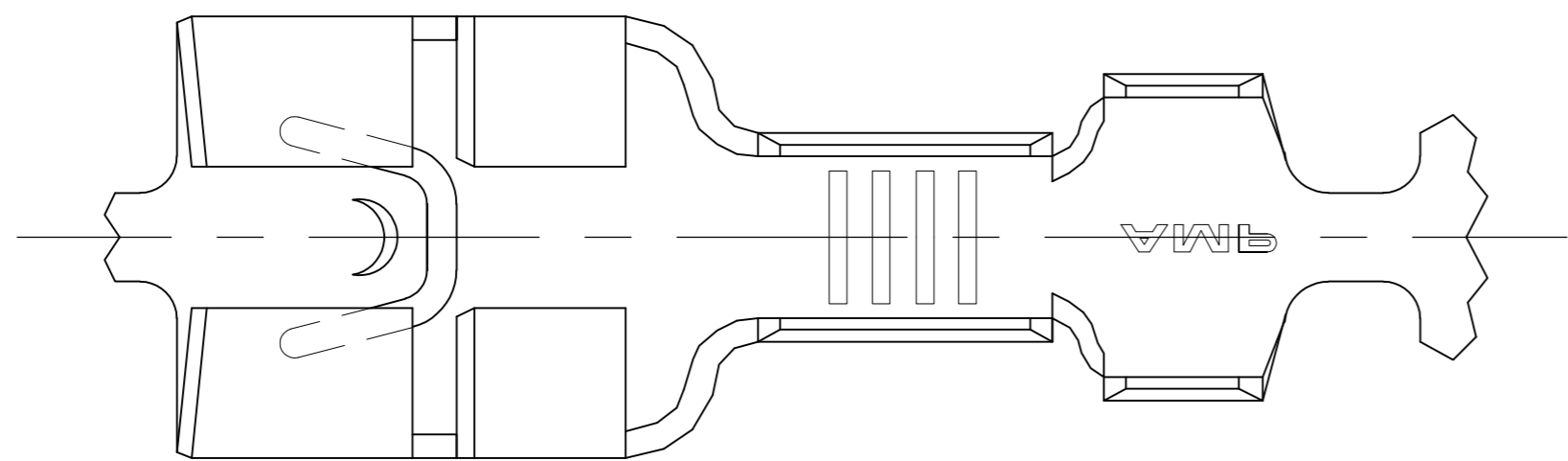


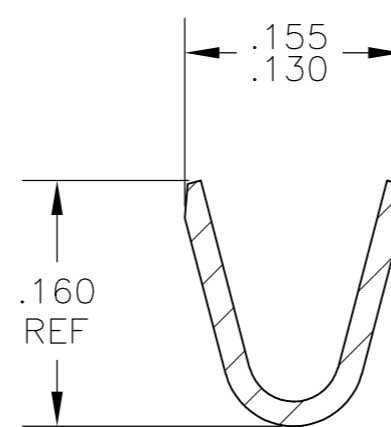
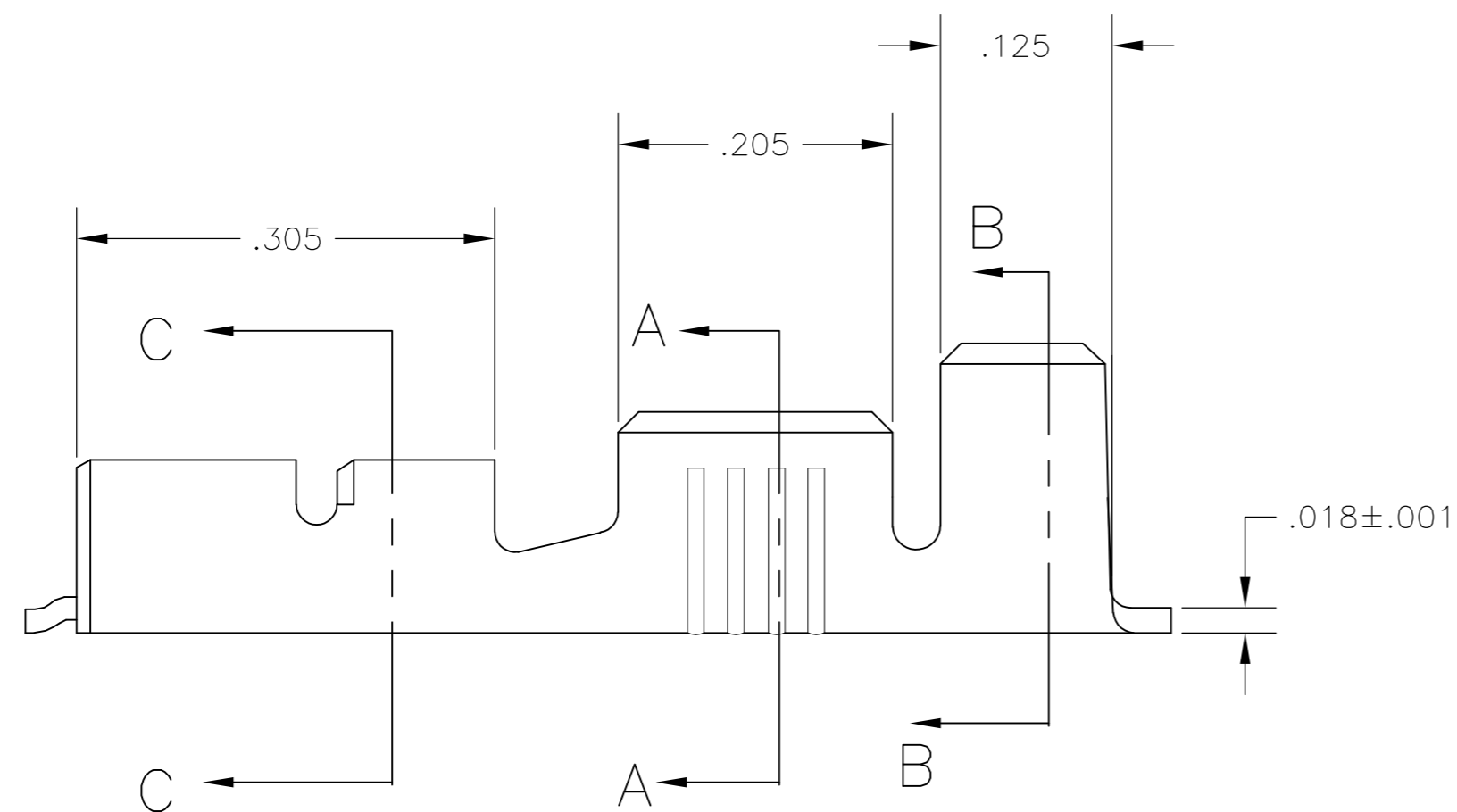
THIS DRAWING IS UNPUBLISHED. RELEASED FOR PUBLICATION
 © COPYRIGHT - By - ALL RIGHTS RESERVED.

LOC		DIST		REVISIONS			
P	LTR	DESCRIPTION		DATE	DWN	APVD	
AF	50	D		REVISED PER ECR-12-013518	24NOV12	KH PD	

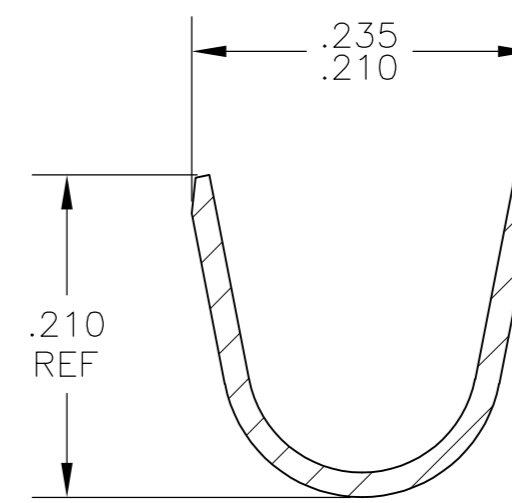
- 1 CONTINUOUS STRIP ON REELS
- 2 ACCEPTS #18-#14 AWG WIRE SIZE CRIMP WIDTH, .120, F TYPE
- 3 INSULATION RANGE IS .120-.170 DIA CRIMP WIDTH, .180, F OR O TYPE
- 4 MATING TAB THK IS .020±.001.



SECTION C-C



SECTION A-A



SECTION B-B

63993-1

PART NO

THIS DRAWING IS A CONTROLLED DOCUMENT.		DWN	JR RUTH	21JUN02	 TE Connectivity RECEPTACLE, FASTON, .250 SERIES
DIMENSIONS: INCHES		CHK	P DESANTIS	21JUN02	
TOLERANCES UNLESS OTHERWISE SPECIFIED:		APVD	P DESANTIS	21JUN02	
0 PLC ± - 1 PLC ± - 2 PLC ± - 3 PLC ± .010 4 PLC ± - ANGLES ± -		PRODUCT SPEC	NAME		
MATERIAL: BRASS		FINISH	TIN	WEIGHT	-
		APPLIC. SPEC		SIZE	A2
CUSTOMER DRAWING		SCALE		8:1	SHEET
SCALE		8:1		SHEET	1 of 1
REV		D		RESTRICTED TO	