



# PRODUCT DATASHEET

## Florence series

last update 20/4/2017

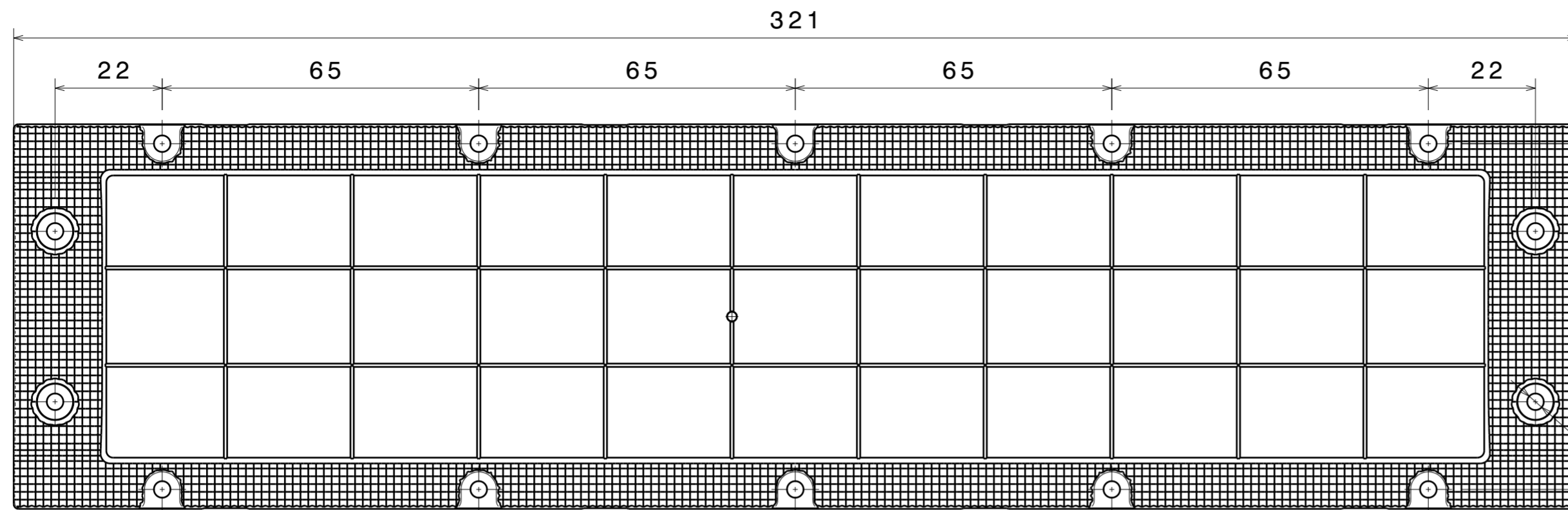
### DETAILS

<b>Product Number</b>	FS15626_FLORENCE-3R-IP-Z90
<b>Family</b>	Florence
<b>Type</b>	Assembly
<b>Color</b>	clear
<b>Diameter</b>	321 + 79 mm
<b>Height</b>	9,72 mm
<b>Style</b>	rectang
<b>Optic Material</b>	Silicone,PC
<b>Holder Material</b>	
<b>Fastening</b>	
<b>Status</b>	production ready
<b>ROHS Compliant</b>	Yes
<b>Date Updated</b>	20/04/2017

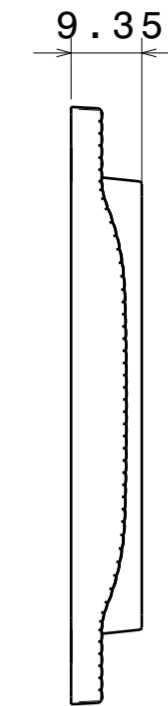


### OPTICAL PROPERTIES

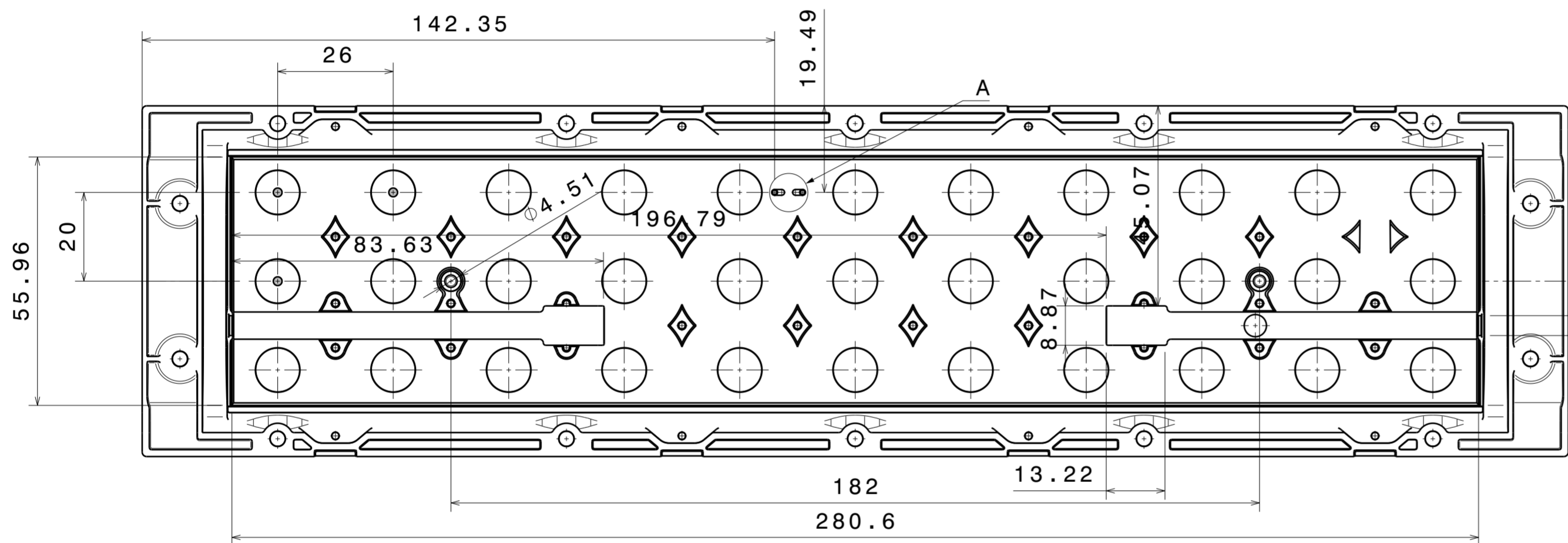
LED	Viewing Angle	Light Beam	Efficiency	cd/lm	Connector
LG 6030	90 deg		89 %	0.440	-



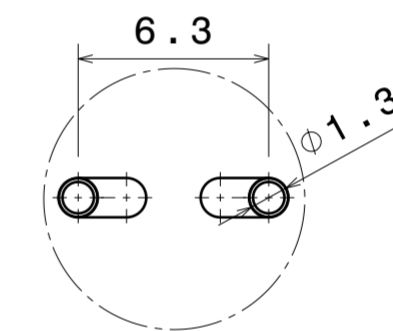
Top view  
Scale: 1:1



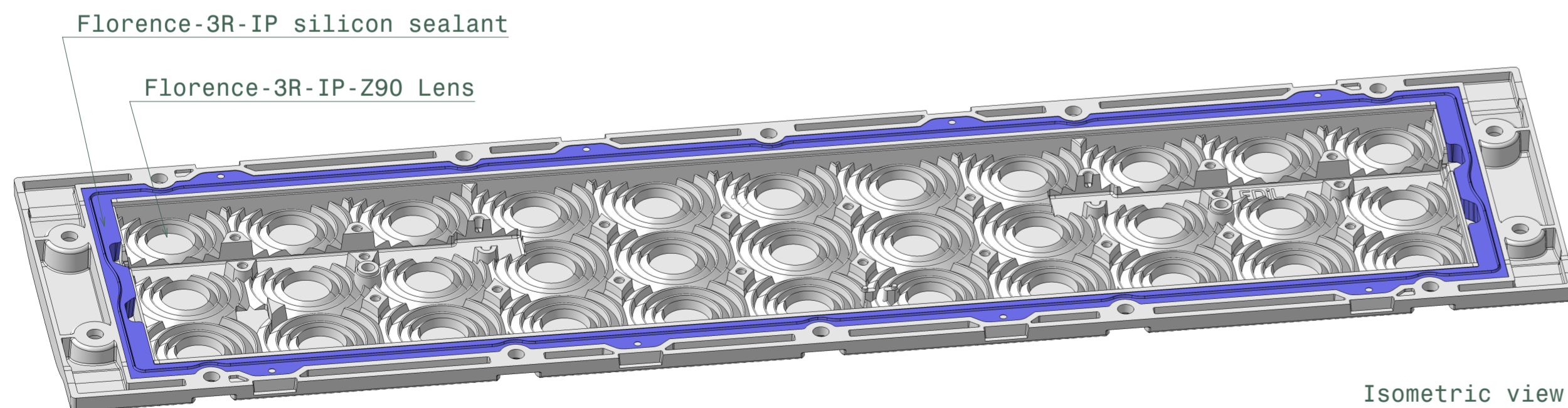
Left view  
Scale: 1:1



Bottom view  
Scale: 1:1



Detail A  
Scale: 4:1



Isometric view  
Scale: 1:1

Assembly Guide F15542\_FLORENCE-3R-IP-Z90

1. Insert Silicone sealant into bottom of FLORENCE-3R-IP-Z90 lens
2. Set lens and silicone sealant on top of PCB
3. Fasten lens to heatsink with 14pcs of M3 screws

Screw type DIN 7985 M3, Max torque 0.6Nm

Tolerances if not otherwise shown  
According to DIN ISO 2768-1  
Linear measures:  
Up to 30mm class M, otherwise class C.  
According to DIN ISO 2768-2  
Form and position: class L

**LEDiL** Ledil Oy  
Salorankatu 10  
FIN 24240 SALO  
Finland

THIRD ANGLE PROJECTION:

DRAWING TITLE  
**Datasheet\_FLORENCE-3R-IP-Z90**

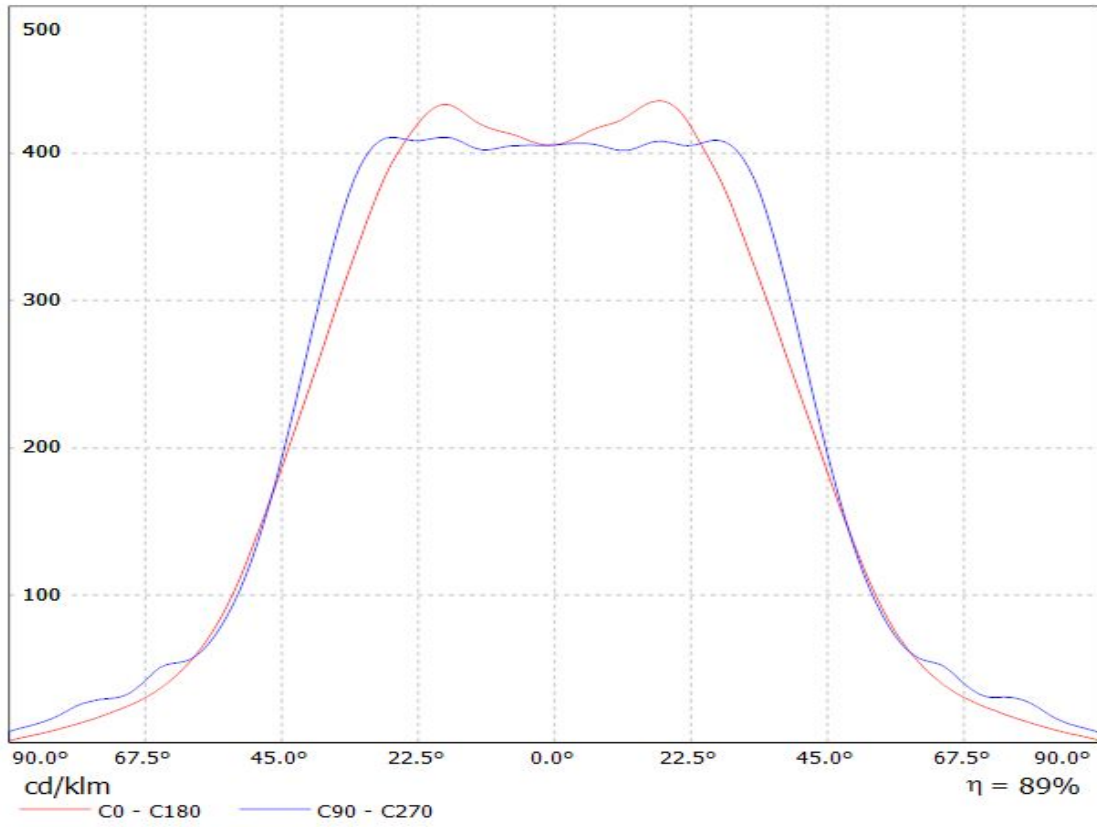
This drawing is the property  
of LEDiL Oy. It may not be  
reproduced, copied or  
communicated without a written  
agreement with LEDiL Oy.

SIZE	PART NUMBER
A2	F15542

SCALE	1:1	WEIGHT	g	SHEET	1/1
-------	-----	--------	---	-------	-----

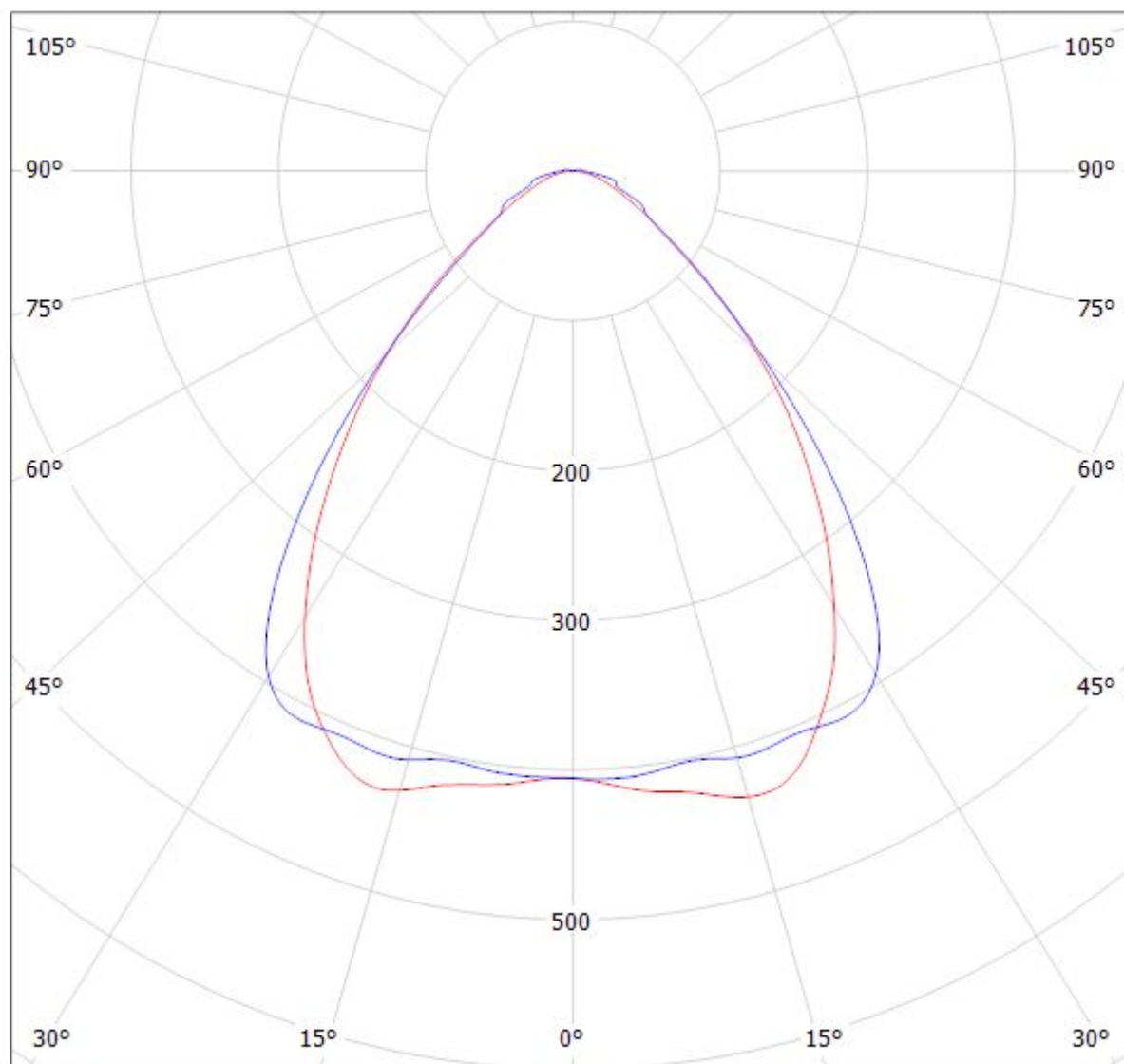
Luminaire: LEDiL Oy FS15626\_FLORENCE-3R-IP-Z90\_(LG\_6030)

Lamps: 1 x Philips\_Fortimo\_LED\_Line\_1ft\_1100lm\_840\_3R\_HV2\_(LG\_6030)\_1043.51lm@250mA\_P=7.9259W\_I=0.25A



Luminaire: LEDiL Oy FS15626\_FLORENCE-3R-IP-Z90\_(LG\_6030)

Lamps: 1 x Philips\_Fortimo\_LED\_Line\_1ft\_1100lm\_840\_3R\_HV2\_(LG\_6030)\_1043.51lm@250mA\_P=7.9259W\_I=0.25A



cd/klm

— C0 - C180 — C90 - C270

$\eta = 89\%$

**NOTE: The typical divergence will be changed by different color, chip size and chip position tolerance. The typical total divergence is the full angle measured where the luminous intensity is half of the peak value.**